



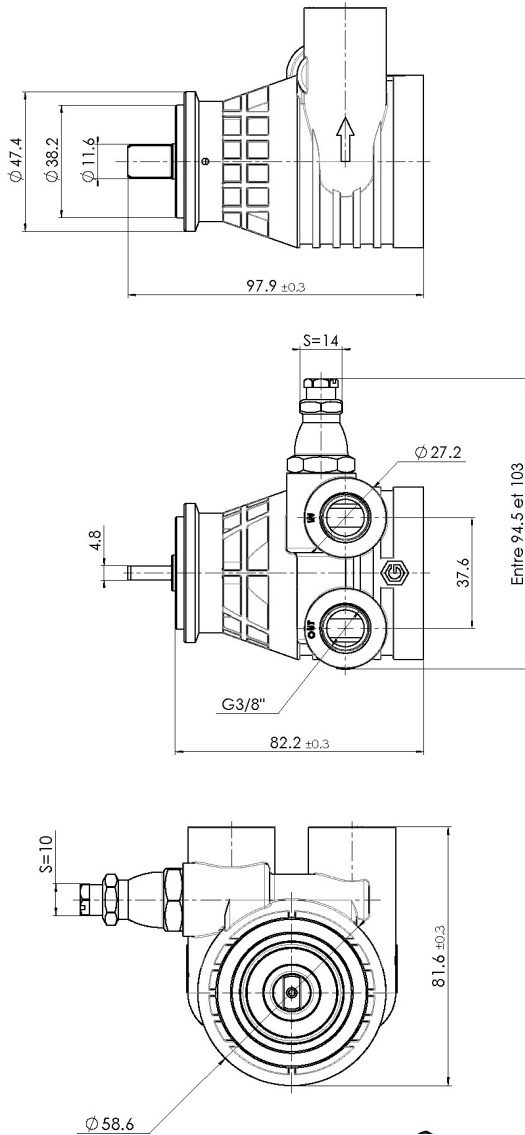
ROTARY VANE PUMP

VP

TECHNICAL DATA



DIMENSIONS



NOMINAL RATED DATA

Max. pressure	16[bar]
Max. flow rate (at 1'500rpm)	≥ 400[l/h]
Pump housing	PPS
Hydraulic connectors	G 3/8"
	NPT 3/8" (on request)
Rotor	Stainless steel
Bearings & vanes	Graphite
Sealings	EPDM / Viton
Overpressure security	Bypass valve
Motor mounting	Clamping collar
Weight	~500[g]
Fluid temperature	1...70[°C]



ROTARY VANE PUMP

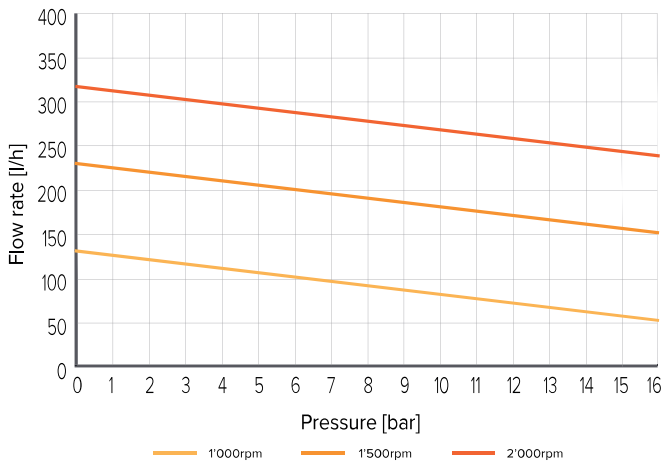
VP

TECHNICAL DATA

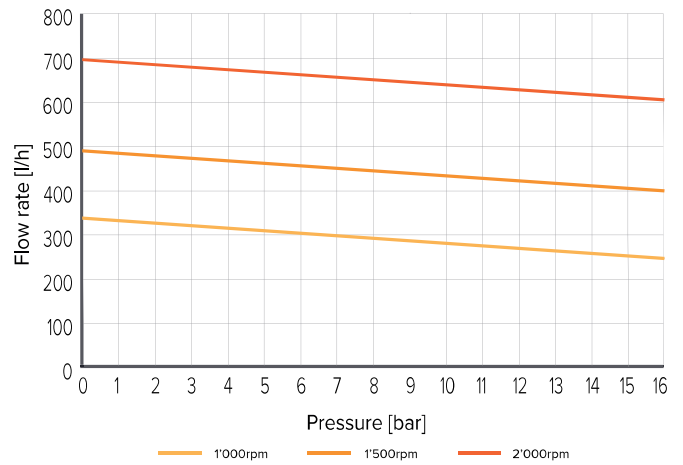


PERFORMANCES

VP150



VP400



DESCRIPTION

VP is a self-priming rotary vane pump with a high accuracy flow rate: At speed of 1500rpm, the pump achieves a flow rate of over 400l/h (105gph) on the allowed pressure range 0 to 16bar (232psi). Its body made of glass fiber reinforced PPS, bearing and vane in graphite, Stainless steel for the rotor ensure a high resistance handling most liquids on the market. The integrated bypass valve protects the pump from temporary overpressure. The VP pump is designed to be efficient, durable and has a low noise level. The pump has been certified as NSF169 (only EPDM version) and complies with European Regulation No. 1935/2004.

Please refer to instruction manual for more installation details. For more information, visit our website : www.gotec.ch

