

Specifications MPA III° Range

MPA III° Range 1014-2014

Performance data

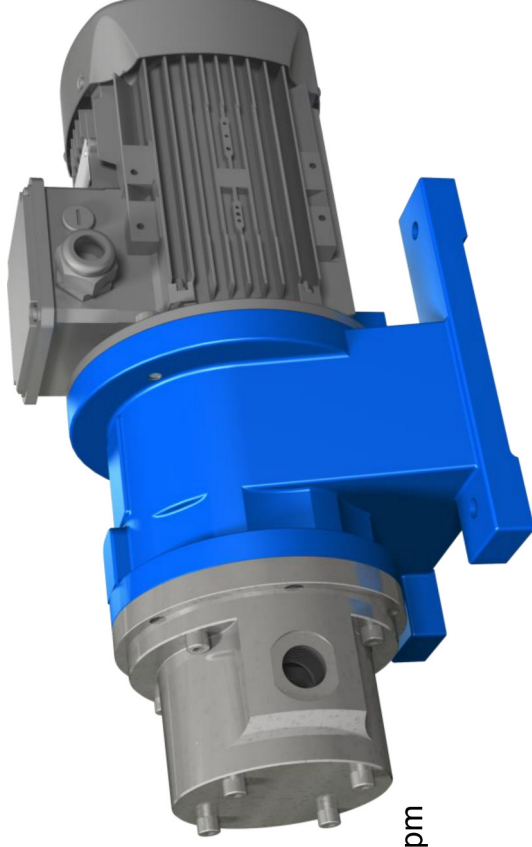
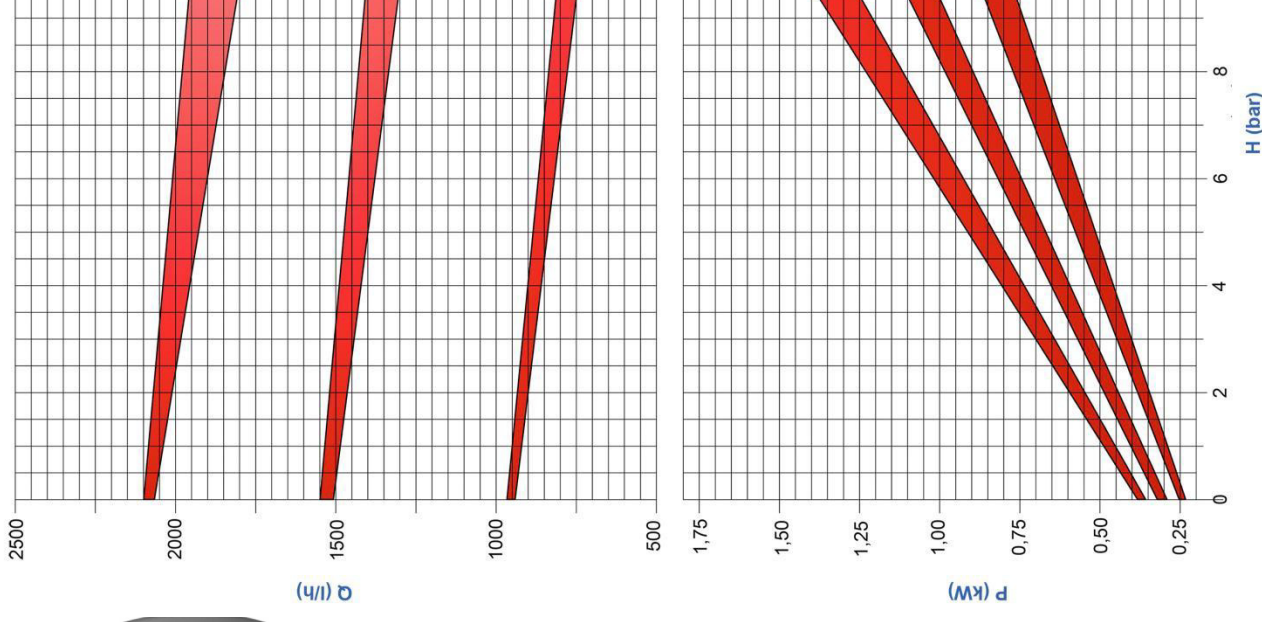
Flow: max. 2100 l/h
Head: max. 13 bar
Temperature: max. 120 °C
NPSH req.: 5,6 m @ 1450 rpm
System pressure: max. 16 bar

Parts in contact with liquid

Pump casing: Stainless steel 1.4571
O-Rings: EPDM, FKM, FEP
Rotor: Stainless steel 1.4571
Stator: Resin impregnated carbon
Sliding spool: Resin impregnated carbon
Bushing: SSiC

Pump characteristics

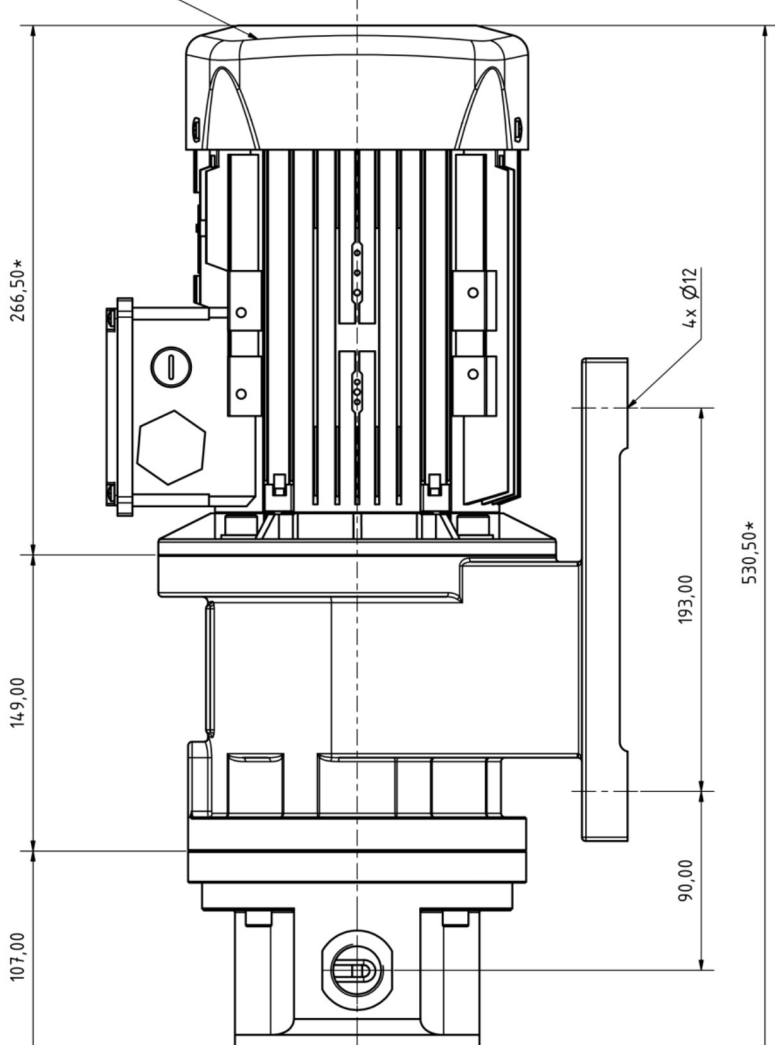
- Rotary vane pump according to positive displacement principle
- Constant speed control mode without losses of differential pressure
- Perfect for applications with low-viscosity liquids and liquid gases
- Handling of liquids nearly pulsation-free
- Pump type according to ATEX 2014/34/EU, suitable for Zone 1



Dimensions

Pump type MPA III° Range

Drehstrom-Asynchronmotor mit Käfigläufer
Typ: 02E 90 L4 B3
1,5kW IE2 - 400V - 50Hz
*Maß weicht bei anderen Motortypen ab



Also available with Flange connection DN25 PN16