

# Specifications MPA II° Range



## MPA II° Range 614-814

### Performance Data

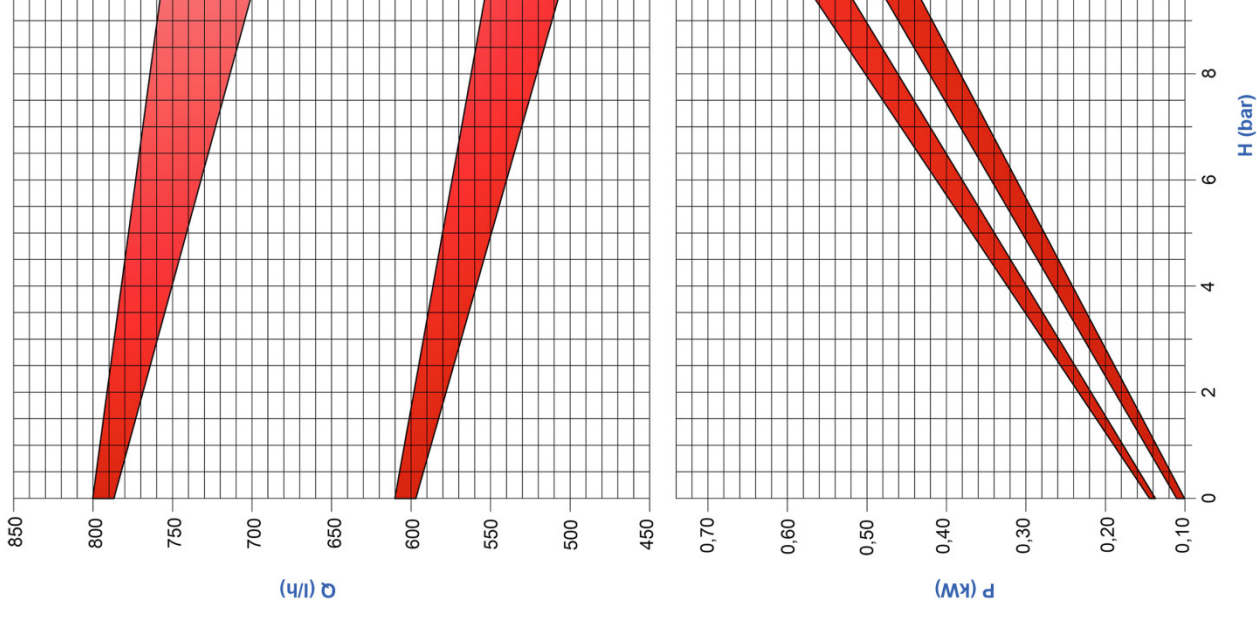
Flow:	max. 800 l/h
Head:	max. 13 bar
Temperature:	max. 120°C
NPSH req.:	4,5 m @ 1450 rpm
System pressure:	max. 16 bar

### Parts in contact with liquid

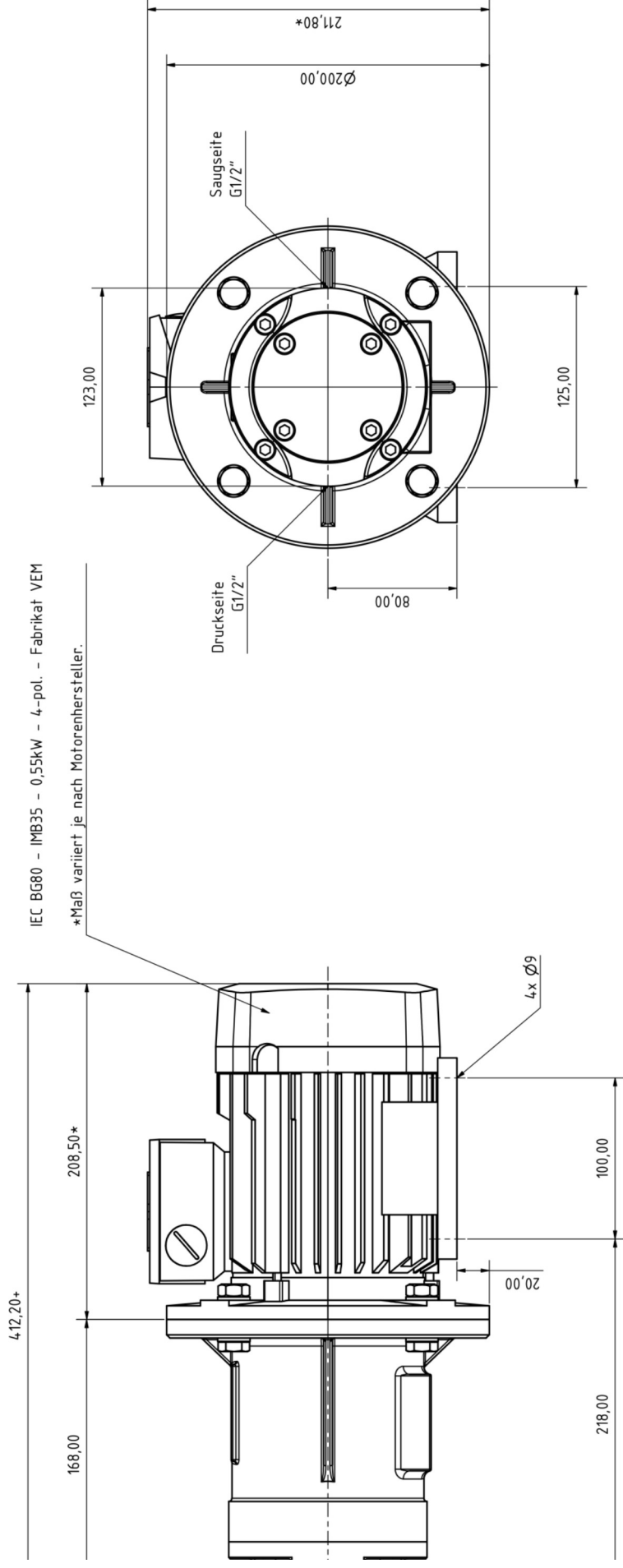
Pump casing:	AISI316
O-Rings:	EPDM, FKM, FEP
Rotor:	AISI316
Stator:	Resin impregnated carbon
Sliding spool:	Resin impregnated carbon
Bushing:	SSiC

### Pump characteristics

- Rotary vane pump according to positive displacement principle
- Constant speed control mode without losses of differential pressure
- Perfect for applications with low-viscosity liquids and liquid gases
- Handling of liquids nearly pulsation-free
- Pump type according to ATEX 2014/34/EU, suitable for Zone 1



## Pump type MPA II° Range



Also available with Flange connection DN20 PN16