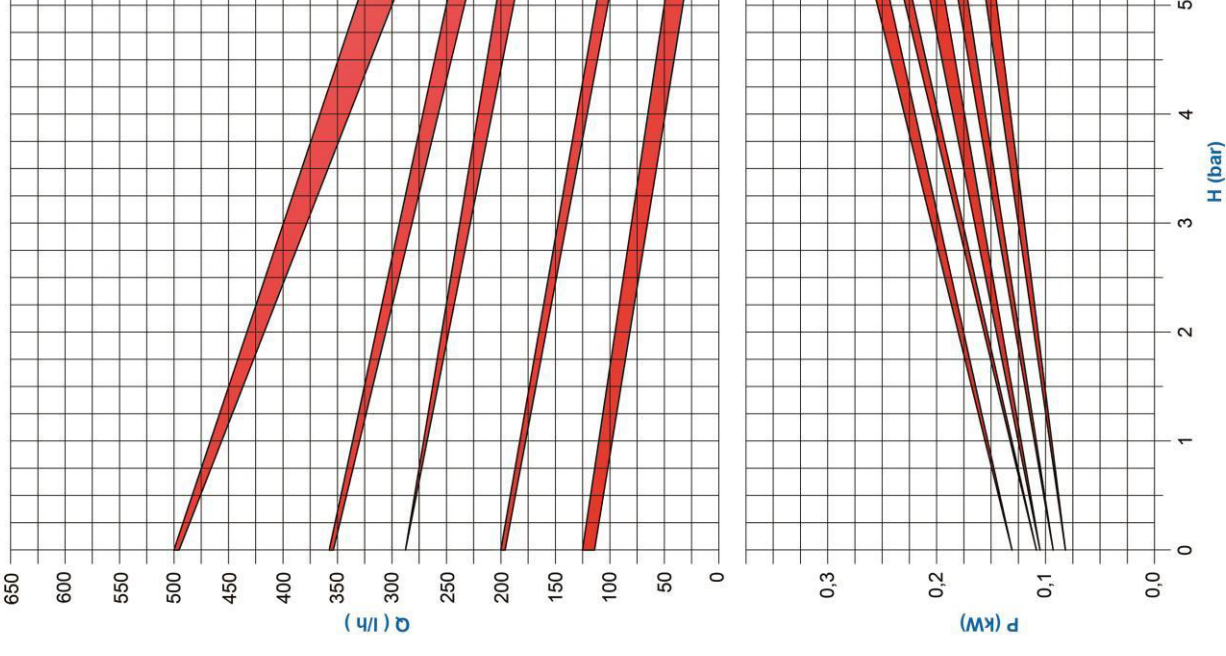


Specifications MP I° Range

MP I° Range 114-514



Performance data

Flow: max. 500 l/h
Head: max. 6,5 bar
Temperature: max. 65°C
System pressure: max. 7,5 bar
NPSH req.: 3,3 m @ 1450 rpm

Parts in contact with liquid

Pump casing: PP, PVDF
O-Rings: EPDM, FKM, FFKM
Rotor: PVDF
Stator: Resin impregnated carbon
Sliding spool: Resin impregnated carbon
Bushing: SSiC

Pump characteristics

- Rotary vane pump according to positive displacement principle
- Constant speed control mode without losses of differential pressure
- Perfect for applications with low-viscosity liquids and liquid gases
- Handling of liquids nearly pulsation-free
- Excellent protection against corrosive liquids
- Pump type according to ATEX 2014/34/EU, suitable for Zone 1

Specifications MPA I° Range



MPA I° Range 114-514

Performance data

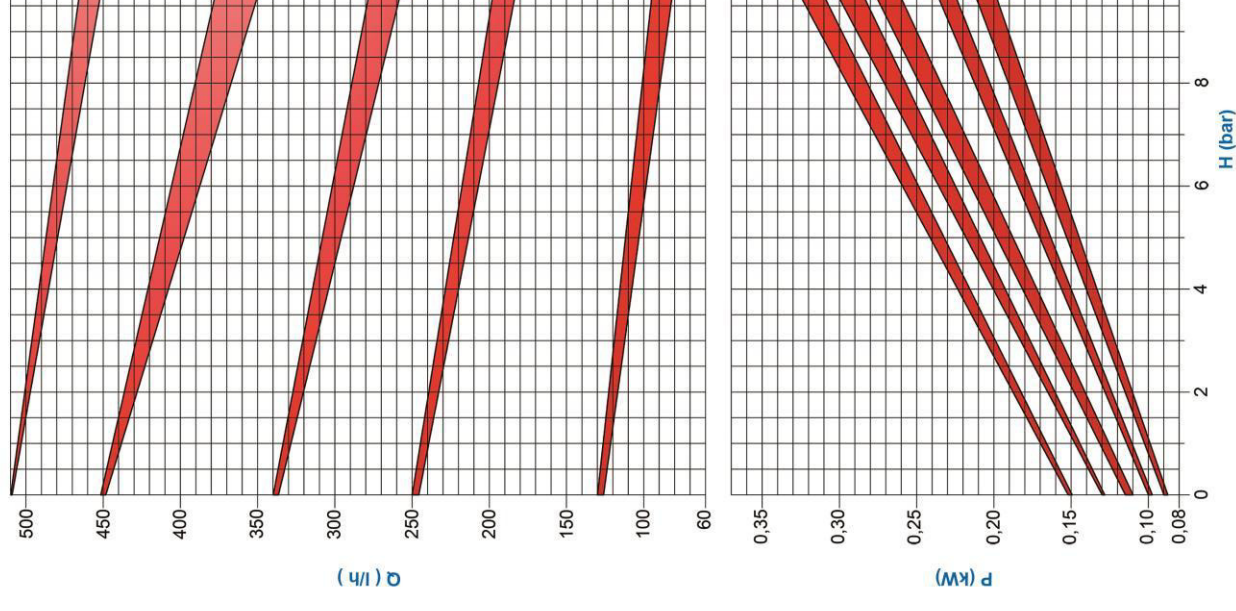
Flow:	max. 500 l/h
Head:	max. 13 bar
Temperature:	max. 120°C
NPSH req.:	3,3 m @ 1450 rpm
System pressure:	max. 16 bar

Parts in contact with liquid

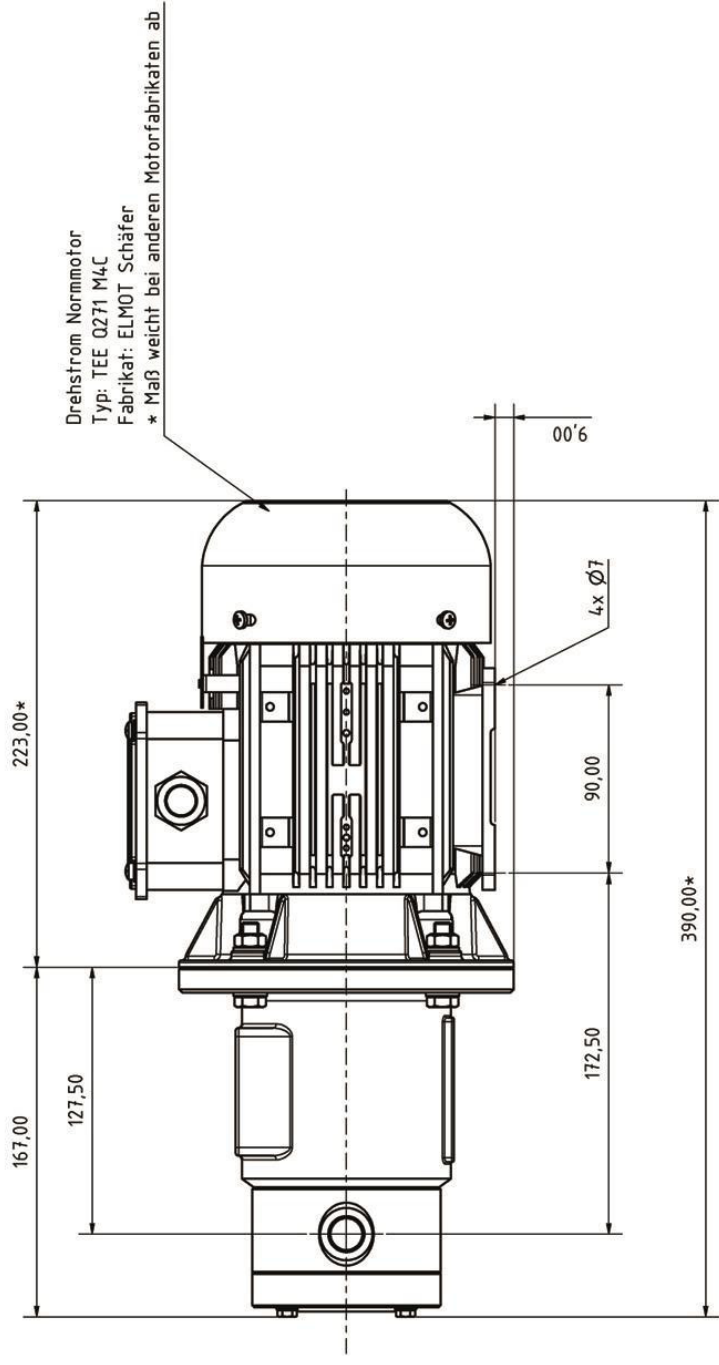
Pump casing:	Stainless steel 1.4571
O-Rings:	EPDM, FKM, FEP
Rotor:	Stainless steel 1.4571
Stator:	Resin impregnated carbon
Sliding spool:	Resin impregnated carbon
Bushing:	SSiC

Pump characteristics

- Rotary vane pump according to positive displacement principle
- Constant speed control mode without losses of differential pressure
- Perfect for applications with low-viscosity liquids and liquid gases
- Handling of liquids nearly pulsation-free
- Pump type according to ATEX 2014/34/EU, suitable for Zone 1



Pump type MP/MPA I° Range



Also available with Flange connection DN15 PN16