



# The Standard Duty Pump

## Alfa Laval SolidC Centrifugal Pump

### Applications

The SolidC pump is designed for standard duty applications, like pumping CIP (Cleaning In Place) solutions, utilities, water (processing, heating, cooling), washing machines, simple transport duty within working range. SolidC is suited for use in the food, dairy, beverage, personal care, pharmaceutical, light chemical and water industries.

### Standard design

The SolidC pump is designed for CIP with emphasis on large internal radii and cleanable seals.

SolidC has a stainless steel shroud for protection of the motor, and the complete unit is supported on four adjustable legs.

### Shaft seals

The SolidC pump is equipped with either an external single or a flushed shaft seal. Both have stationary seal rings in acid-resistant steel AISI 329 with sealing surface in silicon carbide and rotating seal rings in carbon. The secondary seal of the flushed seal is a long lasting lip seal.



### TECHNICAL DATA

#### Materials

Product wetted steel parts: . . . . . W. 1.4404 (316L).  
Other steel parts: . . . . . Stainless steel  
Finish: . . . . . Standard blasted  
Product wetted seals: . . . . . EPDM.

#### Connections for FSS:

R 1/8" (BSP) external thread.

#### Motor

Foot-flanged motor according to the IEC metric standard, 2 poles = 3000/3600 rpm. at 50/60 Hz, IP 55 (with drain hole with labyrinth plug), insulation class F.

#### Motor sizes

50 Hz: . . . . . 1.1 - 22 kW  
60 Hz: . . . . . 1.3 - 25 kW

#### NOTE!

When used with frequency converter the 22 kW motor only has 20 kW effect.

#### Warranty

Extended 3-years warranty on the SolidC Centrifugal Pump range. The warranty covers all non wear parts on the condition that genuine Alfa Laval Spare Parts are used.

### OPERATING DATA

#### Pressure

Max. inlet pressure: . . . . . 400 kPa (4 bar).

#### Temperature

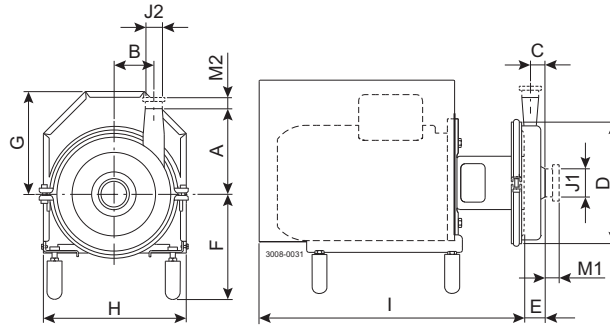
Temperature range: . . . . . -10°C to +120°C (EPDM).

#### Flushed shaft seal (FSS):

Water pressure inlet: . . . . . max. 100 kpa (1 bar).  
Water consumption: . . . . . 0.25 -0.5 l/min.



## Dimensions (mm)



## Pump specific measures

Pump Model	SolidC-1	SolidC-2	SolidC-3	SolidC-4
A	180	200	210	230
B	67	94	121	120
C	28	35	31	27
D	238	227	311	333
E	40	47	44	44

## Motor specific measures

Motor IEC	IEC90	IEC100	IEC112	IEC132	IEC160
Motor kW	1.5/2.2	3.0	4.0	5.5/7.5	11/15/18.5/22
F(max)*	246	256	259	279	307
G	197	200	229	240	292
H	235	285	284	334	384
I	490	528	511	643	771

\*Possible to reduce dimension F by min. mm for all pump models. For smaller models it will be possible to reduce dimension F even further.

## Motor overview

Pump Model	SolidC-1	SolidC-2	SolidC-3	SolidC-4
Motor range (IEC)	IEC90-IEC112	IEC100-IEC160	IEC132-IEC160	IEC132-IEC160

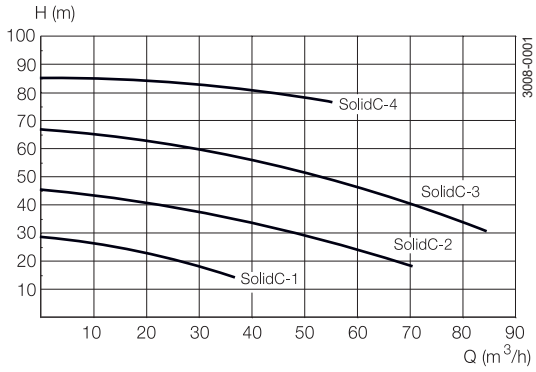
Dimensional data are based on 2 pole, WEGmotors.

## Connections

Pump Model		SolidC-1	SolidC-2	SolidC-3	SolidC-4
Clamp ISO 2037	M1	21	21	21	21
	M2	21	21	21	21
Union ISO(IDF)	M1	21	21	21	21
	M2	21	21	21	21
Union DIN/ISO	M1	23	61	61	61
	M2	22	22	22	23
Union SMS	M1	20	24	24	24
	M2	20	20	20	20
Union (BS)RJT	M1	27	27	27	27
	M2	27	27	27	27
Union DS	M1	20	24	24	24
	M2	20	20	20	20
J1*		51 / 2"	63,5 / 2,5"	76,1 / 3"	76,1 / 3"
J2*		38 / 1,5"	38 / 1,5"	38 / 1,5"	51 / 2"

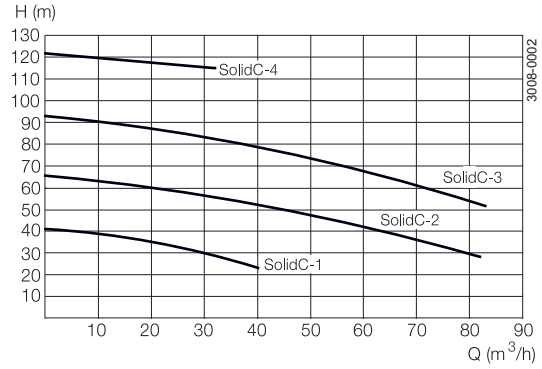
\* Other dimensions available on request.

## Flow chart



## Options

- A. Impeller with reduced diameter.
- B. Motor for other voltage and/or frequency.
- C. 1500 rpm. motor.
- D. Flushed shaft seal.
- E. Product wetted seals of Nitrile (NBR), Fluorinated rubber (FPM) or FEP.
- F. Rotating seal ring material in Silicon Carbide.



## Ordering

Please state the following when ordering:

- Pump size.
- Connections.
- Impeller diameter.
- Motor size.
- Voltage and frequency.
- Flow, pressure and temperature.
- Density and viscosity of the product.
- Options.

## Note!

For further details, see also ESE00797.

Alfa Laval reserves the right to change specifications without prior notification. ALFA LAVAL is a trademark registered and owned by Alfa Laval Corporate AB.

ESE00265EN 1512

© Alfa Laval

---

**How to contact Alfa Laval**

Contact details for all countries are continually updated on our website. Please visit [www.alfalaval.com](http://www.alfalaval.com) to access the information direct.