

# 3/2-way drain valve, DN 50, vacuum controlled

# Product Information



## A. u. K. Müller

Solenoid valves  
Control valves  
Special valves and systems

A. u. K. Müller GmbH & Co. KG  
Dresdener Str. 162  
D-40595 Düsseldorf/Germany

Tel.: +49(0)211-7391-0  
Fax: +49(0)211-7391-281

e-mail: [info@akmueller.de](mailto:info@akmueller.de)  
Internet: [www.akmueller.de](http://www.akmueller.de)

### Series 04.050.114



### Characteristics

- Direct acting
- Vacuum controlled
- Optional PVDF or stainless steel valve body
- Long term performance capability
- Max. medium temperature 90°C (PVDF 50 °C)
- No minimum pressure required
- Suitable for spray- and jet water
- High operating safety through the use of high quality materials and 100% final testing of the products

### Applications

- Industrial washing machines and dishwashers
- Cleaning devices for medical equipment
- Cleaning and disinfection systems in the dairy industry and process engineering

### Description

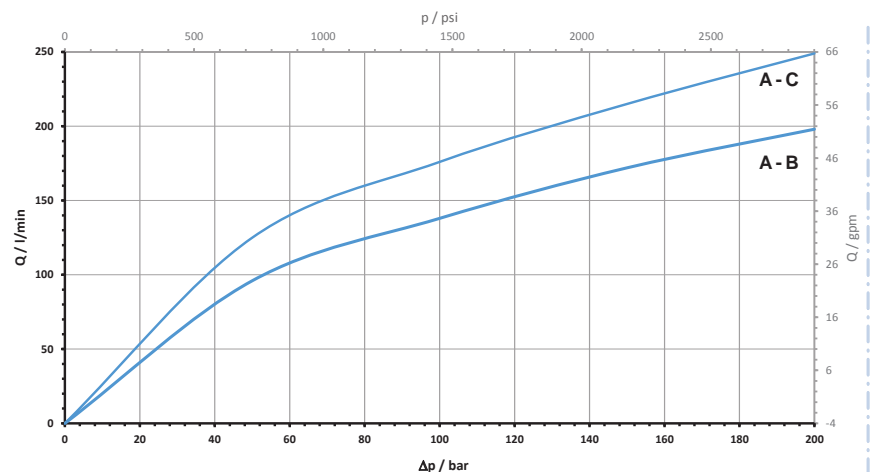
3/2-way direct acting dump valve of nominal diameter DN 50 for controlling low aggressive media, such as cleaning or disinfection agents.

Valves of this type have a medium separated control pressure chamber. They can be manufactured in various materials and equipped with threaded or hose connections.

Valve housing made of PPE or stainless steel are suitable for hot water. Valve housing made of PVDF have a higher resistance to chemicals where stainless steel has both features.

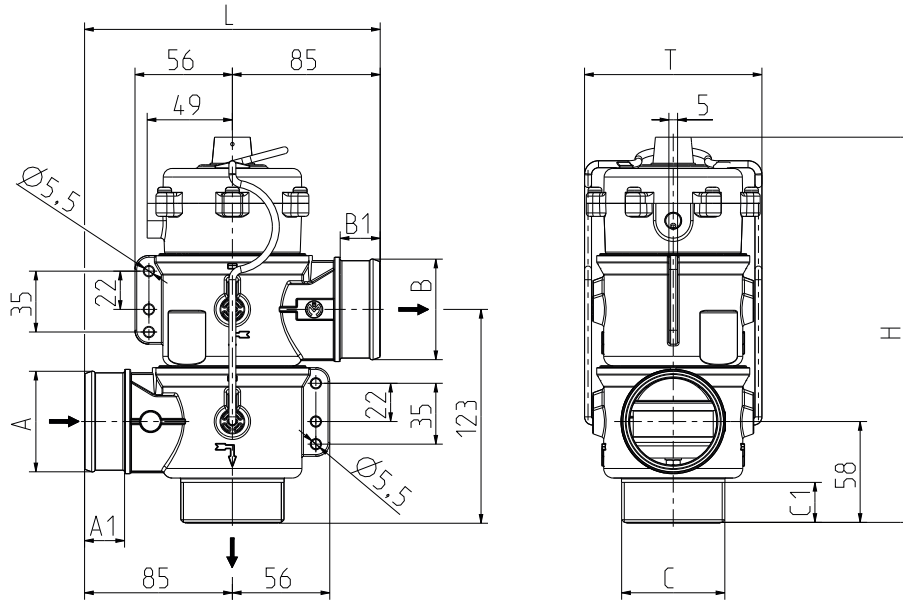
The smooth internal shape improves liquid flow and avoids dirt traps. The valve bodies can be equipped with an additional flush spout.

typical performance curve





**Series 04.050.114**

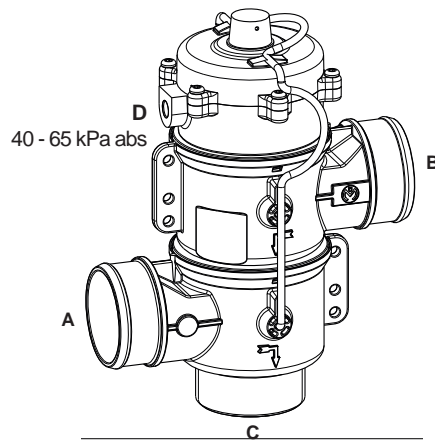


**Technical Data**

Type	drain valve, vacuum controlled	
Construction	2-chamber valve, direct acting, 3/2-way	
Fitting position	any, preferably upwardly	
Media	low aggressive media, such as cleaning or disinfection agents in water	
T-Medium	90	°C max.
T-Ambient	50	°C max.
DN	50	mm
p-Operating	0 - 200	mbar max.
Control vacuum range (port D)	40 - 65	kPa abs.
	-0,35 - 0,6	bar rel.

**Materials**

Valve body	PPE, PVDF or stainless steel on request
Control chamber	PPE
Plunger guide	Stainless steel
Plunger	Stainless steel
Sealings	EPDM FKM (on request) NBR (on request)



D - inactive	A - C	open
	A - B	closed
D - active	A - C	closed
	A - B	open

Control port D can be rotated by 180° to direction A on request.

To prevent moisture entries in the vacuum chamber, appropriate measures should be provided.

**Options**

Material	Ø A	A1	Ø B	B1	Ø C	C1	Length L	Height H	Depth T
PPE	G 2	23	nozzle 2"	23	nozzle 2"	23	170	222	102
	G 2		G 2		nozzle 2"				
	nozzle 2"		nozzle 2"		G 2				
	nozzle 2"		G 2		G 2				

PVDF or stainless steel valve housing on request.