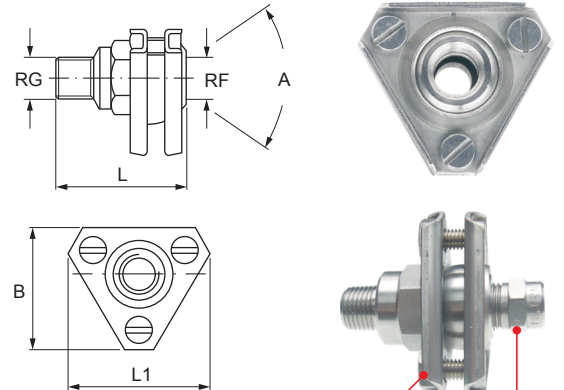


**TRIANGLE FLANGED SWIVEL JOINTS**

ZRP triangular flanged swivel joints have a robust metallic structure, are easy to fit and adjust and are widely used in manufacturing plants requiring product diversification.

- Typical applications      Cleaning equipment used in pre-treatment for coating process.  
   Continuous casting cooling.
- Inlet thread size            1/8", 1/4", 3/8"
- Outlet thread size         1/8", 1/4", 3/8"
- Max working pressure    **LP** 15 bar

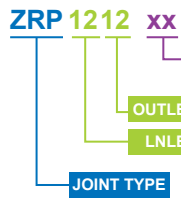
Code	RG inch	RF inch	L mm	B mm	L1 mm	A deg	W g
ZRP 1212 xx	1/8"	1/8"	30	40	35	50°	65
ZRP 2512 xx	1/4"	1/8"	32				92
ZRP 2525 xx	1/4"	1/4"	40	50	45	60°	140
ZRP 2538 xx	1/4"	3/8"	40				150
ZRP 3825 xx	3/8"	1/4"	40				150
ZRP 3838 xx	3/8"	3/8"	40				150



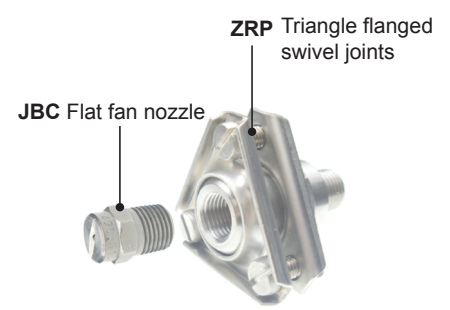
ZRP Triangle flanged swivel joints  
JBC Flat fan nozzle

**HOW TO MAKE UP THE PRODUCT CODE**

EX.: ZRP 1212 B1



- MATERIAL**
  - B1 - AISI 303 Stainless steel
  - T1 - Brass
  - B3 - AISI 316 Stainless steel (optional)
- OUTLET THREAD SIZE**
  - 12 - 1/8"
  - 25 - 1/4"
  - 38 - 3/8"
- LNLET THREAD SIZE**
  - 12 - 1/8"
  - 25 - 1/4"
  - 38 - 3/8"
- JOINT TYPE**



SWIVEL JOINTS

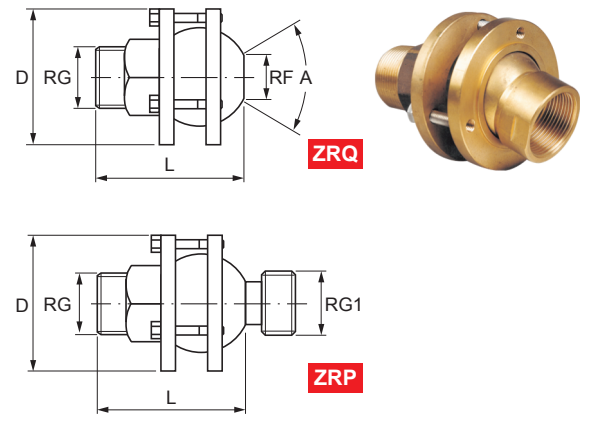
( LARGE CAPACITY SWIVEL JOINTS ) **ZRQ**

**LARGE CAPACITY SWIVEL JOINTS**

ZRQ series swivel joints are suitable for operating environments requiring large capacities and product diversification. Once set, they can be easily fitted and adjusted .

- Typical applications      Cleaning equipment used in pre-treatment for coating process.  
   Continuous casting cooling.
- Inlet / Outlet thread size    1", 1 1/4", 1 1/2", 2", 2 1/2"
- Max working pressure        **LP** 9 bar
- Materials                        **B1** AISI 303 Stainless steel  
   **B3** AISI 316 Stainless steel  
   **T1** Brass

Code	RG inch	RG1 inch	RF inch	L mm	D mm	A deg	W kg
ZRQ 8080 xx	1"	-	1"	89	92	40°	1.8
ZRQ 8282 xx	1 1/4"	-	1 1/4"	130			2.1
ZRQ 8482 xx	1 1/2"	-	1 1/4"	133			2.4
ZRR 8282 xx	1 1/4"	1 1/4"	-	130	92	40°	2.2
ZRR 8284 xx	1 1/2"	1 1/4"	-	130			2.2
ZRR 8484 xx	1 1/2"	1 1/2"	-	130			2.4
ZRR 8686 xx	2"	2 1/2"	-	203	158	40°	8.0
ZRR 8888 xx	2 1/2"	2 1/2"	-	229			8.8

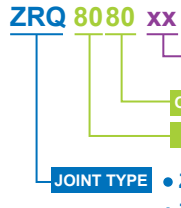


ZRQ

ZRP

**HOW TO MAKE UP THE PRODUCT CODE**

EX.: ZRQ 8080 B1



- MATERIAL**
  - B1 - AISI 303 Stainless steel
  - B3 - AISI 316 Stainless steel
  - T1 - Brass
- OUTLET THREAD SIZE**
  - 80 - 1"
  - 82 - 1 1/4"
  - 84 - 1 1/2"
  - 86 - 2"
  - 88 - 2 1/2"
- LNLET THREAD SIZE**
  - 80 - 1"
  - 82 - 1 1/4"
  - 84 - 1 1/2"
  - 86 - 2"
  - 88 - 2 1/2"
- JOINT TYPE**
  - ZRQ - Female
  - ZRR - Male

