

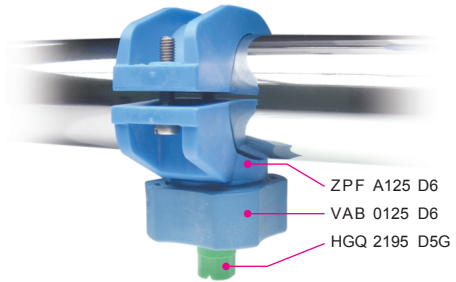
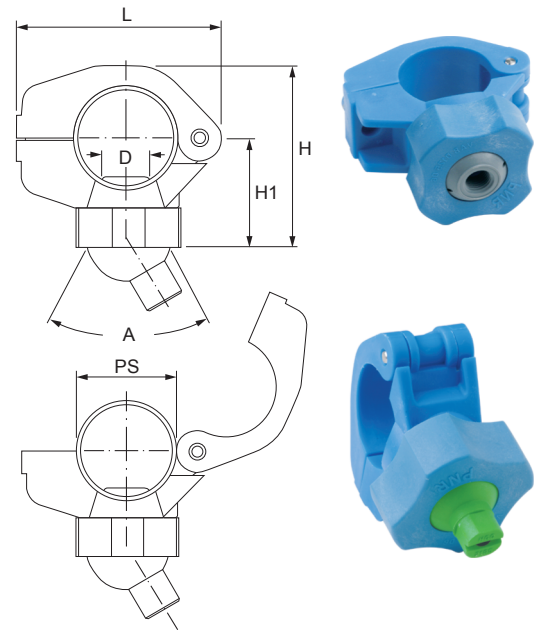
SWIVEL NOZZLE CLAMPS

ZPF swivel clamps are specially designed for HGQ, RGN and ZBA series. To install them on pipes all you need is drill a hole, insert the nozzle clamp inside and fasten it with a simple screwdriver. The nozzle clamp body is in PP chemically bonded fiberglass whereas accessorial bolts and screws are made in stainless steel AISI 316. They are robust, easy to install, adjust and service and their design revolutioned modern surface pre-treatment plants. They provide excellent performance at high temperatures and easy spray jet orientation.

- Typical application Cleaning equipment used in pre-treatment for coating process
- Max working temperature **LT** 80°C
- Max working pressure **LP** 5 bar
- Materials Body **D6** PP, chemically bonded fiberglass
 Pin & bolt **B3** AISI 316 Stainless steel
 O-ring **E8** NBR

Code	PS inch	PD mm	D mm	H mm	H1 mm	L mm	A deg	W g
ZPF A125 D6	1 1/4"	41/43	20.0	83	54	84	40°	85
ZPF B125 D6			17.0					
ZPF C125 D6			14.0					
ZPF A150 D6	1 1/2"	46/49	20.0	90	57	90	40°	88
ZPF B150 D6			17.0					
ZPF C150 D6			14.0					

HOW TO MAKE UP THE PRODUCT CODE EX.: **ZPF A125 D6**



CLIP-ON NOZZLES

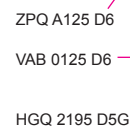
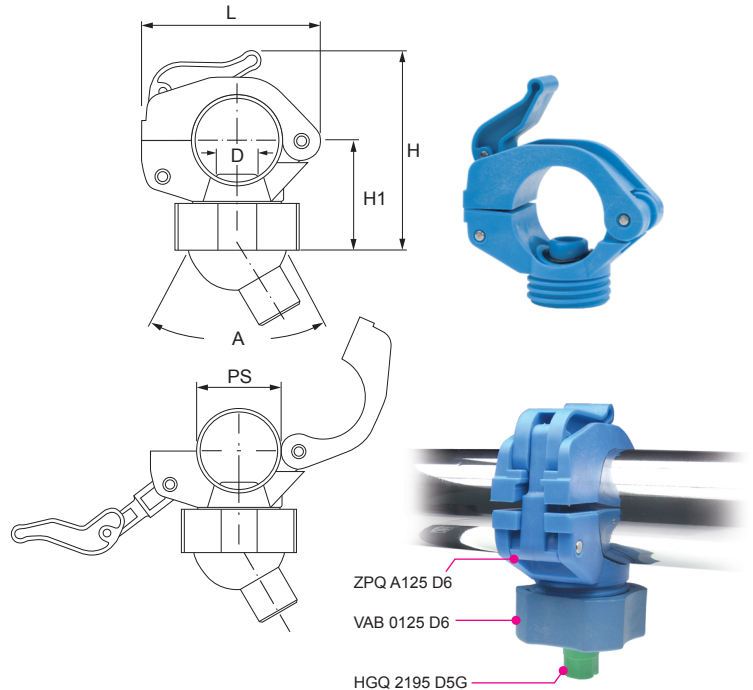
(SWIVEL NOZZLE CAM AND LEVER CLAMPS) **ZPQ**

SWIVEL NOZZLE CAM AND LEVER CLAMPS

ZPQ cam and lever clamps are specially designed for HGQ, RGN and ZBA ball nozzles. Only three steps to install them on a pipe: drill a hole, wrap the cam around the pipe and pull the lever down to block it. No need of tools. The body is in PP chemically bonded fiberglass whereas accessorial bolts and screws are made in stainless steel AISI 316. ZPQ swivel nozzles with cam and lever clamps provide excellent performance at high temperatures and easy spray jet orientation.

- Common application Surface pre-treatment plants
- Max working temperature **LT** 80°C
- Max working pressure **LP** 5 bar
- Materials Body **D6** PP, chemically bonded fiberglass
 Pin & bolt **B3** AISI 316 Stainless steel
 O-ring **E8** NBR
 Seal **D22** Soft polypropylene

Code	PS inch	PD mm	D mm	H mm	H1 mm	L mm	A deg	W g
ZPQ A125 D6	1 1/4"	42/43	20.0	93	41	84	40°	87
ZPQ B125 D6			17.0					
ZPQ A150 D6	1 1/2"	48/49	20.0	96	44	95	40°	97
ZPQ B150 D6			17.0					



HOW TO INSTALL THE SWIVEL NOZZLE CAM & LEVER CLAMPS

