

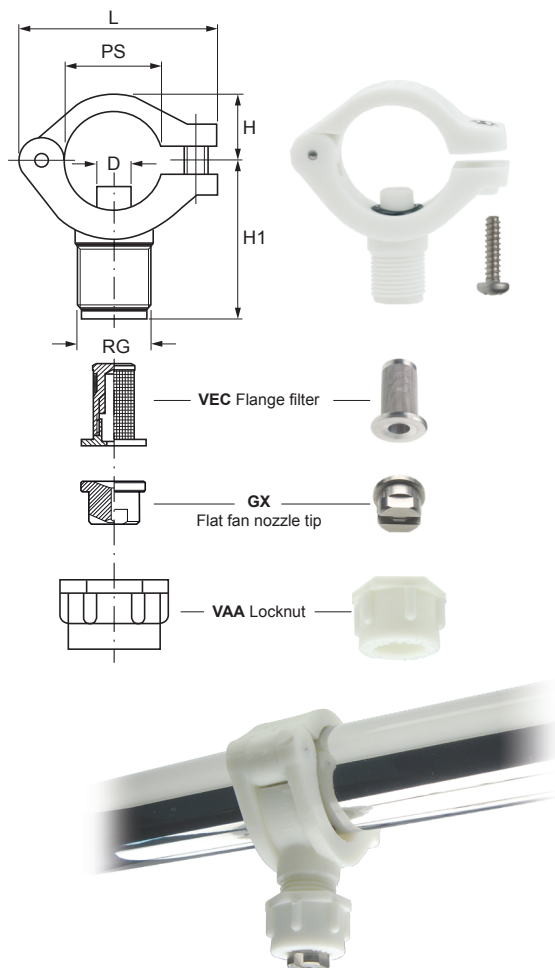
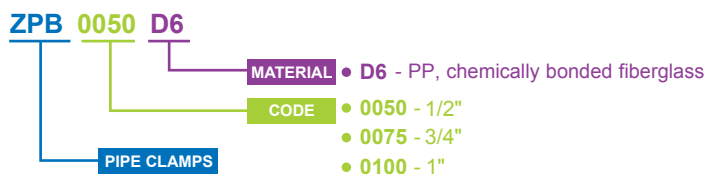
PLASTIC PIPE CLAMPS

ZPB plastic pipe clamps allow a quick, professional and convenient instalment of GX, BX or KX flanged nozzles onto manifolds. Using these clamps it's not necessary to weld nipples or use thick pipes, all you need is one hole in the pipe. ZPB body is made in PP reinforced glass fiber while screws and bolts are in stainless steel AISI 316 to assure a good corrosion resistance. VEA, VEC and VED flanged filters are available on request to prevent clogging.

- Typical applications Pre-treatment for coating process
 Parts cleaning
- Max working temperature **LT** 80°C
- Max working pressure **LP** 8 bar
- Materials Body **D6** PP, chemically bonded fiberglass
 O-ring **E8** NBR
 Metal parts **B2** AISI 304 Stainless steel

Code	RG	PS	OD	D	H	H1	L	W
	inch	inch	mm	mm	mm	mm	mm	g
ZPB 0050 D6	3/8"	1/2"	21/22	7.3	16.0	36	44	20
ZPB 0075 D6		3/4"	26/27	7.3	17.5	39	51	26
ZPB 0100 D6		1"	33/34	10.0	21.0	46	61	30

HOW TO MAKE UP THE PRODUCT CODE EX.: ZPB 0050 D6



(PLASTIC BAYONET PIPE CLAMPS) **ZPC**

PLASTIC BAYONET PIPE CLAMPS

ZPC plastic bayonet pipe clamps serve for a quick and easy instalment of GX type flat fan nozzles.

No need to weld nozzles or use thick pipes to thread. It's sufficient to make a hole in the pipe and fix the clamp in. The clamp body is in PVDF while screws and bolts are in stainless steel AISI 316, suitable for high temperatures. Their quick-fit cap is easy to disassemble for cleaning. The flat fan orientation has an offset angle of 10° from the main manifold axis to avoid jets overlapping.

- Typical applications PCB wet process
 Pre-treatment for coating process
- Pipe size **PS** 1/2", 3/4"
- Max working temperature **LT** 90°C
- Max working pressure **LP** 8 bar
- Materials Body **D82** PVDF, moulded
 O-ring **E7** Viton
 Metal parts **B3** AISI 316 Stainless steel

Code	PS	PD	D	H	H1	L	W
	inch	mm	mm	mm	mm	mm	g
ZPC 0050 D82	1/2"	20/22	7.6	16.0	36	44	21
ZPC 0075 D82	3/4"	25/27	7.6	17.5	39	50	25

HOW TO MAKE UP THE PRODUCT CODE EX.: ZPC 0050 D82

