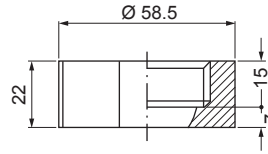
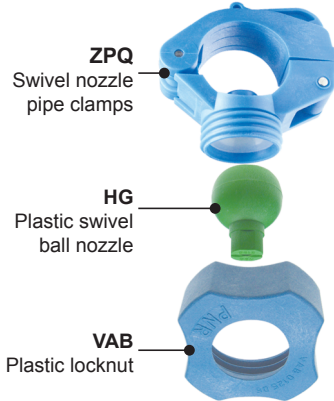
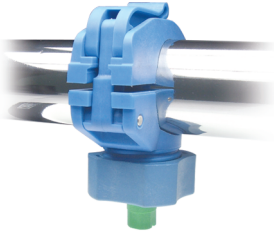


**PLASTIC LOCKNUTS**

VAB plastic locknuts are exclusively designed for ball nozzles. Their special thread and shape allow to assemble the cap and by hand, with no need of tools, thus making all servicing operations easier and quicker. They are made of high quality PP or chemically bonded fibreglass to keep stability at high temperatures and offer the best resistance to chemicals.

- Material  
**D6** PP, chemically bonded fibreglass
- Max working temperature  
**LT** 80°C



**VAB 0125 D6**

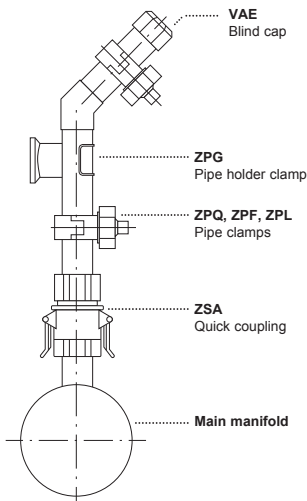
**HOW TO MAKE UP THE PRODUCT CODE** EX.: VAB 0125 D6



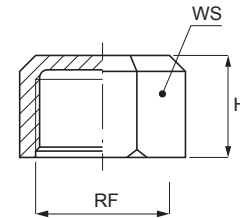
**PLASTIC END CAPS**

VAE plastic caps are specially used to close pipes ends. Besides, 1 1/4" VAE 1250 D6 plastic caps can be used to seal pipes ends when, to manufacture different size products, it's necessary to reduce the quantity of swivel nozzles. They are made of high quality PP or chemically bonded fibreglass to keep stability at high temperatures and offer the best resistance to chemicals. They are widely used in surface pre-treatment.

- Material  
**D6** PP, chemically bonded fibreglass
- Max working temperature  
**LT** 80°C

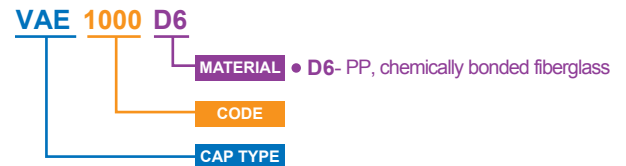


( PLASTIC END CAPS ) **VAE**



Code	RF inch	H mm	WS mm
VAE 1000 D6	1"	25	42
VAE 1250 D6	1 1/4"	32	52
VAE 1500 D6	1 1/2"	32	60

**HOW TO MAKE UP THE PRODUCT CODE** EX.: VAE 1000 D6



**THREADED AND QUICK-FIT SPHERES**

ZBA swivel nozzles are produced with three different types of connections: threaded, quick-fit and blind hole.

The threaded nozzles are assembled to threaded swivel joints. The quick-fit types are designed for HTQ/KSQ quick-fit flat fan nozzles whereas the blind hole models are specially used in spraying processes requiring changes and pauses.

Code		RF BSPB inch	RF NPT inch
One piece	Two pieces		
ZBA A025 D5	ZBA GBN1 D5G	1/4" F	
ZBA B025 D5	ZBA NBN1 D5G		1/4" F
ZBA A038 D5	ZBA GCN1 D5G	3/8" F	
ZBA B038 D5	ZBA NCN1 D5G		3/8" F
ZBA A050 D5	ZBA GDN1 D5G	1/2" F	
ZBA 0000 D5	ZBA 00N0 D5Y	Blind	
ZBA QQN1 D5	ZBA QQN1 D6G	Quick connection	

