

UMW SERIES HIGH PRESSURE GUNS

UMW series spray guns are specially designed for high pressure cleaning. The main features are: light weight and easy to handle, heavy duty durability, high temperatures and high pressures resistant, low failure rate, low price. They can be supplied with a variety of pressure hoses and nozzles for all types of cleaning requirements. UMW spray guns are widely and successfully used in car washing and many other industrial applications.

- Typical applications
 - Products cleaning
 - Equipment cleaning
 - Vehicles cleaning
- Materials
 - Body **D4** Nylon, Glassfibers reinforced
 - Inside parts **B1** AISI 303 Stainless steel
 - C3** AISI 440 Stainless steel, hardened
 - T1** Brass

UMW 0010 D4 series economical and efficient spray guns are widely applied in industrial high pressure cleaning and car wash.

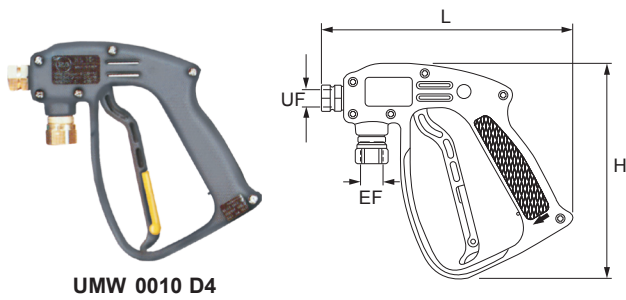
- Nominal pressure **200 bar**
- Max operation pressure **LP 220 bar**
- Max operation temperature **LT 160 °C**
- Max capacity **LQ 30 l/min**

| Code | Inlet thread size EF | Outlet thread size UF | H mm | L mm | W kg |
|--------------------|-------------------------|--------------------------|---------|---------|---------|
| UMW 0010 D4 | 3/8" | 1/4" | 162 | 185 | 0.27 |

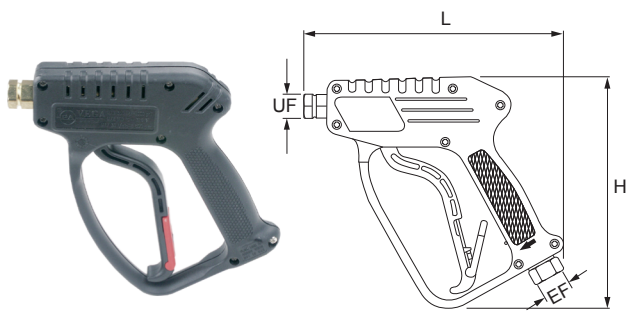
UMW 0020 D4 guns are suitable for heavy duty applications. They are light and have an ergonomical easy-grip handle. These spray guns are highly appreciated for operations requiring high pressure and large capacity.

- Nominal pressure **310 bar**
- Max operation pressure **LP 350 bar**
- Max operation temperature **LT 160 °C**
- Max capacity **LQ 40 l/min**

| Code | Inlet thread size EF | Outlet thread size UF | H mm | L mm | W kg |
|--------------------|-------------------------|--------------------------|---------|---------|---------|
| UMW 0020 D4 | 3/8" | 1/4" | 183 | 202 | 0.78 |



UMW 0010 D4

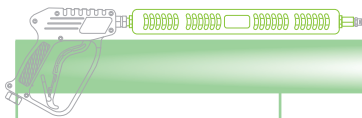


UMW 0020 D4

HIGH PRESSURE GUNS

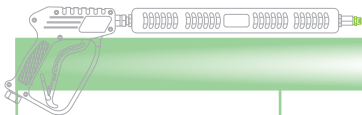
| Code | UMW 0020 D4 (Brass) Standard high pressure gun | UMW 0021 D4 (Brass) Swivel high pressure gun | UMW 0020 B1 (AISI 303) Sanitary high pressure gun |
|---------------------------|---------------------------------------------------|-------------------------------------------------|------------------------------------------------------|
| Appearance | | | |
| Code | UMW 0020 D4 | UMW 0021 D4 | UMW 0020 B1 |
| Inlet thread size | 3/8" BSP Female | 3/8" BSP Female | 3/8" BSP Female |
| Outlet thread size | 1/4" BSP Female | 1/4" BSP Female | 1/4" BSP Female |
| Max operating pressure | 350 bar | 280 bar | 280 bar |
| Max operating temperature | 160°C | 160°C | 160°C |
| Max capacity | 40 l/min | 40 l/min | 40 l/min |
| Inner parts | Brass | Brass | AISI 303 |
| Outside shell | PP, chemically bonded fiberglass | PP, chemically bonded fiberglass | PP, chemically bonded fiberglass |
| Weight | 0.78 kg | 0.78 kg | 0.83 kg |
| Swivel | ✗ | ✓ | ✗ |
| Security lock | ✓ | ✓ | ✓ |





HIGH PRESSURE LANCE

| | | | |
|-------------------------------|-----------------------------------------------------------------------------------|------------------------------------------------------------------------------------|-------------------------------------------------------------------------------------|
| Appearance |  |  |  |
| Code | UMW 0038 A8 | UMW 0045 B2 | UMW 0047 B2 |
| Liquid inlet diameter | 1/4" BSPT Male | 1/4" BSPT Male | 1/4" BSPT Male |
| Liquid outlet diameter | 1/4" BSP Female | 1/4" BSP Female | 1/4" BSP Female |
| Max operating pressure | 280 bar | 280 bar | 200 bar |
| Max operating temper. | 160°C | 160°C | 160°C |
| Spray lance | Zinc coated steel | AISI 304 | AISI 304 |
| Shank | Brass | AISI 303 | AISI 303 |
| Plastic material | PP, chemically bonded fiberglass | PP, chemically bonded fiberglass | PP, chemically bonded fiberglass |
| Length | 380 mm | 1200 mm, 1500 mm 1700 mm, 2000 mm | 700 mm |
| Weight | 0.4 kg | 0.9 kg, 1.1 kg, 1.3 kg, 1.4 kg | 0.56 kg |



HIGH PRESSURE NOZZLES

| | | | |
|-------------------------------|-------------------------------------------------------------------------------------|-------------------------------------------------------------------------------------|---------------------------------------------------------------------------------------|
| Appearance |  |  |  |
| Code | F series high pressure nozzles | UMW 0050 B2 | UMW 0060 D2 |
| Spray pattern | Straight / Flat fan (Fixed) | Straight / Flat fan (Free) | High pressure water (360°) |
| Spray angle | 0°, 15°, 25°, 40°, 65° | 0° ~ 40° | 40° |
| Capacity | 3.4 ~ 68.2 l/min at 100 bar | 10.3 l/min at 100 bar | 6.86 ~ 18.1 l/min at 100 bar |
| Thread size | 1/4" BSP Male | 1/4" BSP Female | 1/4" BSP Female |
| Min operating pressure | -- | -- | 80 bar |
| Max operating pressure | 500 bar | 280 bar | 250 bar |
| Max operating temper. | 600°C | 90°C | 100°C |
| Nozzle material | AISI 416 | AISI 420 | AISI 420 |
| Shank | -- | Brass | Brass |
| Plastic material | -- | PP, chemically bonded fiberglass | PP, chemically bonded fiberglass |