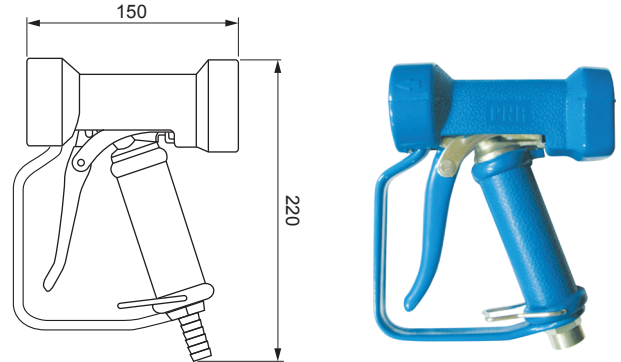


**HOT WATER SPRAY GUN**

UMV series wash-guns have been specially designed for use in food, chemical and steel industry. They avoid hot water waste and their ergonomic shape makes them easy to handle. Their thick rubber casing safely protects operators' hands from hot water and avoids to damage floors and equipments in case the gun falls on the ground. Standard spray guns have a safety trigger-lock, a easy-hold grip and a swivel button at the end of the piston to adjust the spray angle to the desired direction. These spray-guns are constructed to match foam lances, bar lances and hot air lances. The chrome-plated brass model is used for normal operating environments whereas the version in stainless steel AISI 316 is suitable for use in the food and biotechnology industry and fully complies with European and American Directives for industrial production facilities.



**UMV 2210 xx**

- Max working temperature **LT** 80°C
- Max working pressure **LP** 25 bar
- Max capacity **LQ** 21 l/min (UMV2210 at 3 bar)
  
- Thread size 1/2" BSP
- Spray angle 5°~ 65°
- Hose shank 13 mm - 1/2" hose fitting
- Weight 0.9 kg
- Materials Body **T2** Brass casting, chrome plated  
**B3** AISI 316 Stainless steel
- Lining **E0** EPDM
- Stem **B3** AISI 316 Stainless steel
- Trigger **B3** AISI 316 Stainless steel

The versatility of this wash-gun is enhanced by the additional model UMV 2211 which can be assembled to nozzles or lances thanks to its 1/2" female thread. The three different lances shown here below can be easily assembled to the gun body with a 1/2" male nipple for various uses:

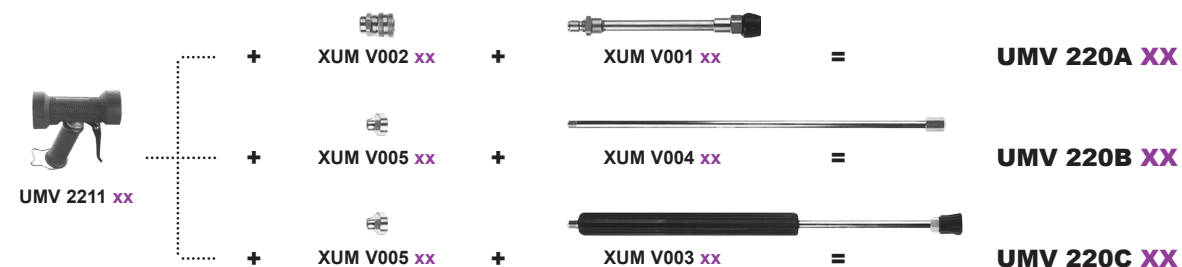
1. Foaming machines and equipment before washing. The foam lance comes with a quick-connect female coupling and the wash-gun outlet must be provided with a matching coupling.
2. General purpose 1/4" female thread outlet, 1/4" male thread inlet. Available both with heat protection sleeve, or zinc-plated steel. The general purpose lance needs a connection nipple 1/4" female to 1/2" male to be fit on the gun. Please see the complete washgun and components codes below.

**UMV SERIES HOT WATER SPRAY GUN**

Functional spray guns match front shut-off extensions for foam, hot water and general use

Code	Inlet diameter	Feature
<b>UMV 2210 xx</b>	1/2"	Standard, adjustable jet
<b>UMV 2211 xx</b>	1/2"	With 1/2" Female quick thread, without lance
<b>UMV 220A xx</b>	1/2"	With foam lance
<b>UMV 220B xx</b>	1/2"	With 1/4" BSP Female outlet, bare lance
<b>UMV 220C xx</b>	1/2"	With 1/4" BSP Female outlet, heat protected lance

Please complete product codes, ending with ( **xx** ), filling in the code of required material eg **T2**, chrome plated brass, or **B3** for AISI Stainless steel 316.



Please complete product codes, ending with ( **xx** ), filling in the code of required material eg **T2**, chrome plated brass, or **B3** for AISI Stainless steel 316.

**SINGLE COMPONENTS**

Code	Components
<b>XUM V001 xx</b>	Foam lance
<b>XUM V002 xx</b>	Quick-connect coupling for foam lance, 1/2" M
<b>XUM V003 xx</b>	Universal lance, 1/4" F out, heat protection
<b>XUM V004 xx</b>	Universal lance, 1/4" F out, zinc-plated steel
<b>XUM V005 xx</b>	Nipple, 1/4" F - 1/2" M, chrome plated brass

Please complete product codes, ending with ( **xx** ), filling in the code of required material eg **T2**, chrome plated brass, or **B3** for AISI Stainless steel 316.