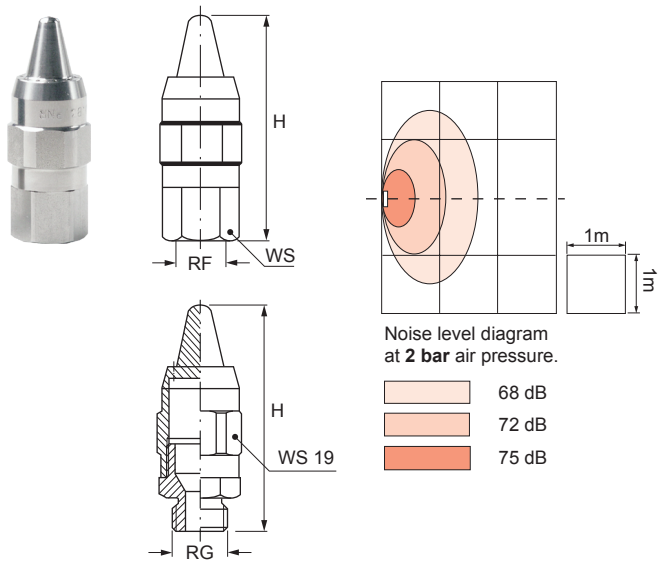


UEA D020 (FULL CONE NOZZLES)

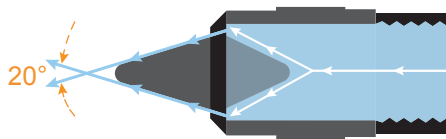


AIR BLOW-OFF NOZZLES · ROUND JET

UEA D020 compressed air blowing nozzles produce a powerful air jet concentrated on a well defined impact point. They are specially designed for deep and blind holes drying, produce lower noise and reduce pressure loss.

- Thread size 1/4"
- Thread specification BSP, NPT
- Material **V7** Aluminium, electroless nickel plated
B31 AISI 316L Stainless steel
- Typical applications Water removal from surfaces
Flocks and water blow off

Code	RF inch	Air capacity (Nm ³ /hour) at different pressure values (bar)					H mm	WS mm
		2.0	3.0	4.0	5.0	6.0		
UEA D020 xx yy	1/4"	15	20	25	31	35	55	17



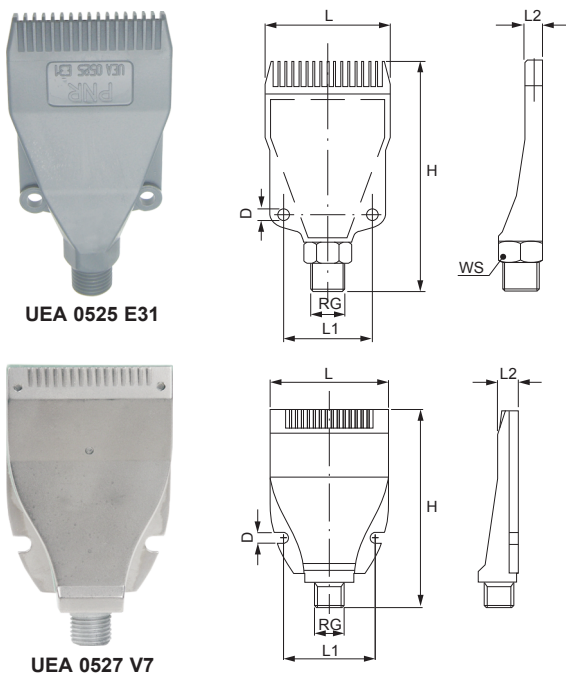
These air blowers meet the requirements of American OSHA regulations

HOW TO MAKE UP THE NOZZLE CODE EX.: UEA D020 B31SG

UEA D020 B31 yy

- NOZZLE TYPE**: UEA D020
- MATERIAL**: B31 - AISI 316L Stainless steel
LT: 400°C LP: 15 bar
- THREAD CODES**:
 - SG - BSP (Female)
 - SN - NPT (Female)
 - MG - BSP (Male)
 - MN - NPT (Male)

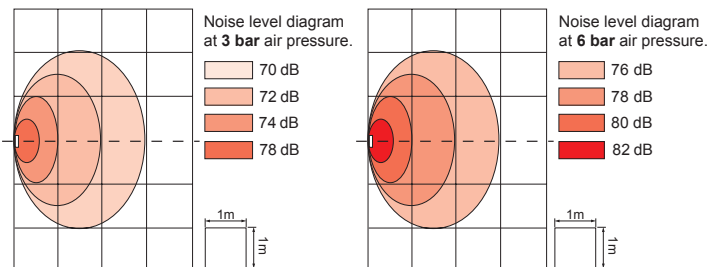
UEA 0525 / 0527 (AIR BLOWERS - FLAT FAN)



AIR BLOWERS - FLAT FAN

UEA series compressed air blowers are the best choice for operating environments requiring strong impact laminar sprays. The compressed air flow is blown through 16 orifices producing a strong impact jet, limited noise level and uniform spray. They are suitable to be installed on moving conveyors.

- Thread size 1/4"
- Thread specification BSPT, NPT
- Material **E31** Polyacetalic resin (POM)
V7 Aluminium, electroless nickel plated
- Typical applications Water removal from surfaces
Flocks and water blow off



Code	RG inch	Air capacity (Nm ³ /hour) at different pressure values (bar)					H mm	L mm	L1 mm	L2 mm	D mm	WS mm
		1.0	2.0	3.0	4.0	5.0						
UEA 0525 E31 yy	1/4"	10	17	22	28	33	90.0	48	35	6.5	4.5	16
UEA 0527 V7 yy	1/4"	10	17	22	28	33	86.5	51	40	9.0	5.1	17

HOW TO MAKE UP THE NOZZLE CODE EX.: UEA 0525 E31SG

UEA 0525 E31 yy

- NOZZLE TYPE**: UEA 0525
- MATERIAL**: E31 - Polyacetalic resin (POM)
LT: 80°C LP: 7 bar
- THREAD CODES**:
 - SG - BSP
 - SN - NPT
- MATERIAL**: V7 - Aluminium, electroless nickel plated
LT: 150°C LP: 15 bar

These air blowers meet the requirements of American OSHA regulations