

MTOWER RH is a fully featured cooling towers controller for ORP and Conductivity, with two-way biocide options and inhibitor / bleed control.

Wheel Control with easy setup interface.

Communication Ready.

## FEATURES

- 2 channels controlling system
- Large LCD backlight graphic display
- Wheel control with easy setup interface
- Bleed and Feeders live display
- Universal power supply
- Permanent data storage
- Multiple alarms control:
  - Hi & Low conductivity
  - Hi & Low ORP
  - Bleed timeout
  - Chemicals level
  - Flow

## INPUTS

- Conductivity probe
- Temperature probe (compensated)
- Flow meter makeup
- Flow meter bleed
- 2 Biocide levels
- 2 Biocide activator levels
- Inhibitor level
- Flow sensor
- ORP probe
- ORP level

## OUTPUTS

- Bleed
- Inhibitor
- 2 Biocides
- 2 Biocides activators
- Alarm
- 0/20 or 4/20 mA Conductivity
- 0/20 or 4/20 ORP
- 0/20 or 4/20 Temperature
- 1 proportional ORP
- 1 digital ORP
- Serial Port
- Inhibitor proportional

# "MTOWER RH" CONTROL INSTRUMENT

## Data Sheet

### ELECTRICAL

#### SIGNAL INPUT

Terminal block

#### POWER SUPPLY

UNIVERSAL 90÷265 VAC; 50/60 Hz

#### POWER CONSUMPTION

Average 20 W

### THE WHEEL CONTROLLING SYSTEM



### CONTROL PARAMETERS

#### Conductivity

Timer 1 (1 - 2 - 4 Weeks)

Timer 2 (1 -2 - 4 Weeks)

#### Inhibitor:

Feed and Bleed

Feed as a percentage of bleed

Feed as a percentage of time

Driven by pulse sender water meter

PPM setup with water meter

ORP

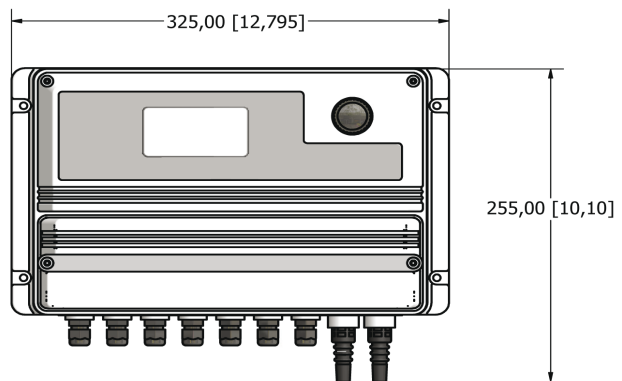
PWM / On-Off

Proportional

### ENCLOSURE

#### IP65 enclosure (NEMA4x)

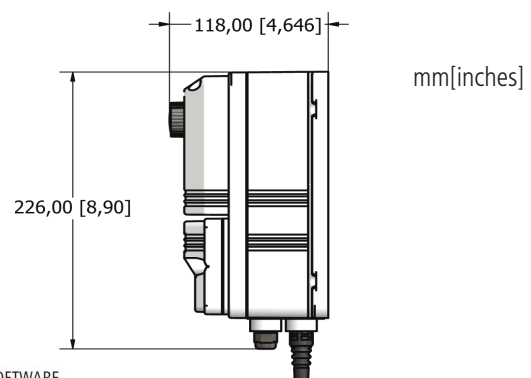
MTOWER RH control instruments are manufactured in ABS housing to ensure protection against aggressive chemicals and tough environment.



### ENVIRONMENT

-10°C ÷ 50°C (14°F ÷ 122°F)

0÷95% (non condensing) relative humidity



**EMEC**

ISO 9001:2008  
ISO 14001:2004  
OHSAS 18001:2007



ERMES COMMUNICATION SOFTWARE  
[www.ermes-server.com](http://www.ermes-server.com)

Via Donatori di sangue, 1 - 02100 Vazia (RI) - Italy  
Tel. +39 0746 2284 1 - Tel. +39 0746 1725114 - Fax +39 0746 2284 2 - <http://www.emec.it>

Specifications subject to change without notice.  
ENG R1-06-10