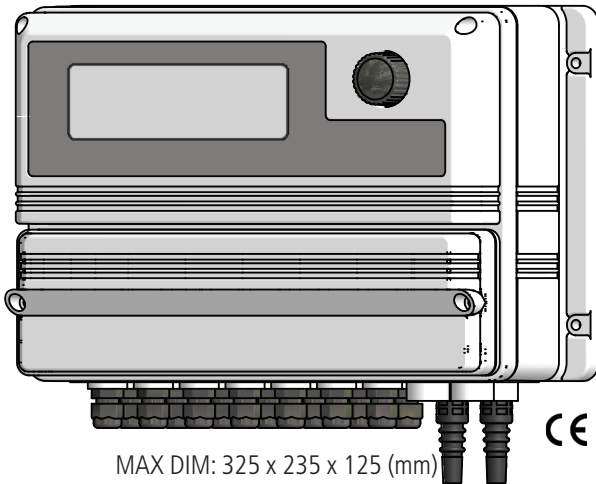


# "MTOWER CD/PH/CL plus" CONTROL INSTRUMENT

## Data Sheet



The "MTOWER PLUS" is a fully featured 3 channels cooling towers controller with two-way biocide options and inhibitor / bleed control.

Cooling towers are heat removal devices used to transfer process waste heat to the atmosphere. Cooling towers may either use the evaporation of water to remove process heat and cool the working fluid to near the wet-bulb air temperature or rely solely on air to cool the working fluid to near the dry-bulb air temperature.

Common applications include cooling the circulating water used in oil refineries, chemical plants, power plants and building cooling.

All information are provided through a large backlit LCD display (240x64). Using a revolutionary wheel control the instrument can be easily programmed. "MTOWER PLUS" is housed into an IP65 plastic box.

## FEATURES

- 3 Channels for Conductivity, Chlorine and pH
- Large LCD backlight graphic display
- Wheel control with easy setup interface
- Bleed and Feeders live display
- Universal power supply
- Permanent data storage

Available with remote control (network or GPRS modem)

- Multiple alarms control :
  - Hi & Low conductivity - pH - Cl
  - Bleed timeout
  - Chemicals level
  - Flow

## INPUTS

- Conductivity probe
- Temperature probe (compensated)
- Flow meter makeup
- Flow meter bleed
- 1 Biocide level
- 2 Biocide activator levels
- Inhibitor level
- Flow sensor
- Chlorine probe
- Chlorine level
- pH probe
- pH level

## OUTPUTS

- Bleed
- Inhibitor
- 1 Biocides
- 2 Biocides activators
- Alarm
- 0/20 or 4/20 mA Conductivity / Temp / pH / Cl
- 1 Chlorine proportional
- 1 Chlorine digital
- 1 pH proportional
- 1 pH digital
- Serial Port
- Inhibitor proportional

**EMEC**

ISO 9001:2008  
ISO 14001:2004  
OHSAS 18001:2007



Via Donatori di sangue, 1 - 02100 Vazia (RI) - Italy  
Tel. +39 0746 2284 1 - Tel. +39 0746 1725114 - Fax +39 0746 2284 2 - <http://www.emec.it>

Specifications subject to change without notice.  
ENG R1-06-10

# "MTOWER CD/PH/CL plus"

# Data Sheet

## CONTROL INSTRUMENT

### ELECTRICAL

#### SIGNAL INPUT

Terminal block

#### POWER SUPPLY

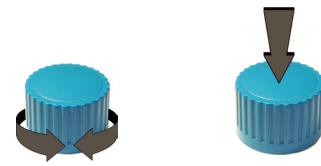
UNIVERSAL 90÷265 VAC; 50/60 Hz

#### POWER CONSUMPTION

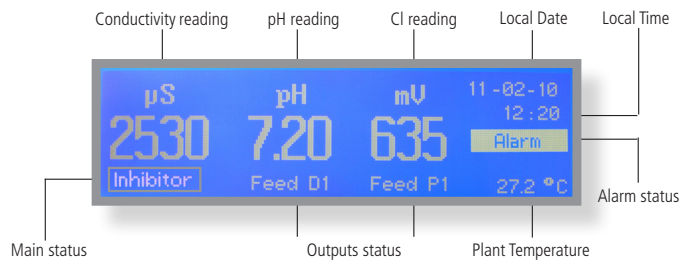
Average 20 W (standard configuration)

Average 30 W (modem configuration)

### THE WHEEL CONTROLLING SYSTEM



### MAIN SCREEN



### CONTROL PARAMETERS

Conductivity - pH - Cl

Timer (1 - 2 - 4 Weeks)

Inhibitor:

Feed and Bleed

Feed as a percentage of bleed

Feed as a percentage of time

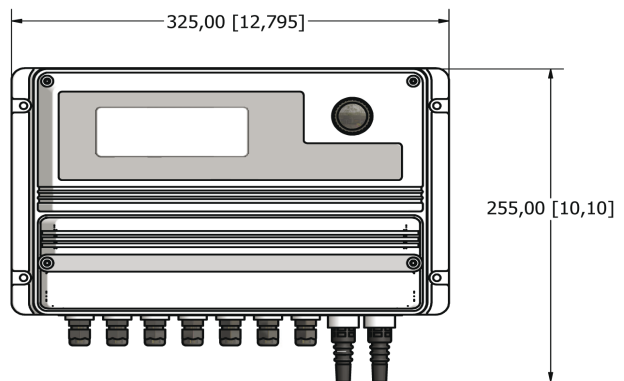
Driven by pulse sender water meter

PPM setup with water meter

### ENCLOSURE

IP65 enclosure (NEMA4x)

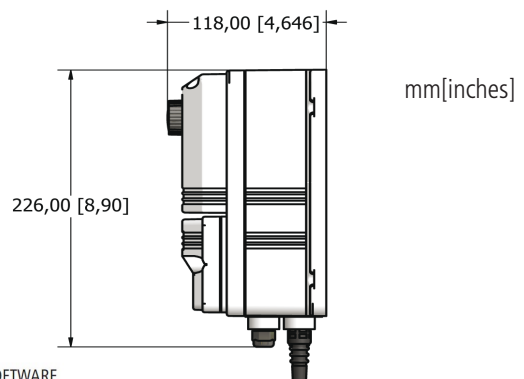
MTOWER control instruments are manufactured in ABS housing to ensure protection against aggressive chemicals and tough environment.



### ENVIRONMENT

-10°C ÷ 50°C (14°F ÷ 122°F)

0÷95% (non condensing) relative humidity



ERMES COMMUNICATION SOFTWARE  
www.ermes-server.com



ISO 9001:2008  
ISO 14001:2004  
OHSAS 18001:2007



Via Donatori di sangue, 1 - 02100 Vazia (RI) - Italy  
Tel. +39 0746 2284 1 - Tel. +39 0746 1725114 - Fax +39 0746 2284 2 - http://www.emec.it

Specifications subject to change without notice.  
ENG R1-06-10