

MTOWER is a fully featured cooling towers controller with two-way biocide options and inhibitor / bleed control. Wheel Control with easy setup interface.

Communication Ready.

FEATURES

- Large LCD backlight graphic display
- Wheel control with easy setup interface
- Bleed and Feeders live display
- Universal power supply
- Permanent data storage
- Multiple alarms control :
 - Hi & Low conductivity
 - Bleed timeout
 - Chemicals level
 - Flow

INPUTS

- Conductivity probe
- Temperature probe (compensated)
- Flow meter makeup
- Flow meter bleed
- 2 Biocide levels
- 2 Biocide activator levels
- Inhibitor level
- Flow sensor

OUTPUTS

- Bleed
- Inhibitor
- 2 Biocides
- 2 Biocides activators
- Alarm
- 0/20 or 4/20 mA Conductivity
- 0/20 or 4/20 mA Temperature
- Serial Port
- Inhibitor proportional

"MTOWER" CONTROL INSTRUMENT

Data Sheet

ELECTRICAL

SIGNAL INPUT

Terminal block

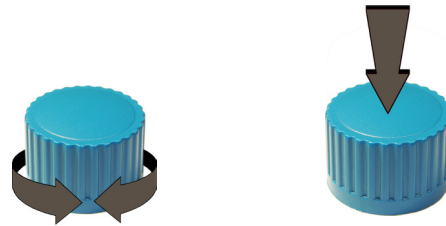
POWER SUPPLY

UNIVERSAL 90÷265 VAC; 50/60 Hz

POWER CONSUMPTION

Average 20 W

THE WHEEL CONTROLLING SYSTEM



CONTROL PARAMETERS

Conductivity

Timer 1 (1 - 2 - 4 Weeks)

Timer 2 (1 -2 - 4 Weeks)

Inhibitor:

Feed and Bleed

Feed as a percentage of bleed

Feed as a percentage of time

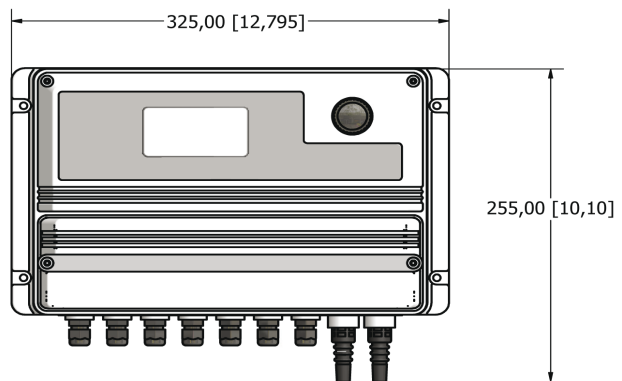
Driven by pulse sender water meter

PPM setup with water meter

ENCLOSURE

IP65 enclosure (NEMA4x)

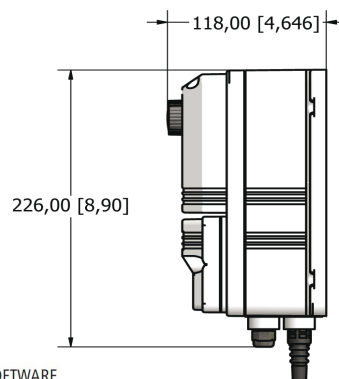
MTOWER control instruments are manufactured in ABS housing to ensure protection against aggressive chemicals and tough environment.



ENVIRONMENT

-10°C ÷ 50°C (14°F ÷ 122°F)

0÷95% (non condensing) relative humidity



ERMES COMMUNICATION SOFTWARE
www.ermes-server.com