

Rotary (L.C.) Union Type B.E.

1. Body.
2. Mechanical seal assembly.
3. Ball bearings - life lubricated.
4. Rotary spindle.

※ THIS PART ROTATES WITH THE SHAFT

The Rotary (L.C.) Union is intended to light duty applications and is of a simple design using the minimum amount of parts. It is not intended as a unit that can be repaired, though this is possible. For low pressures, temperatures and modest speeds with occasional use it is ideal.

For continuous use and easy reparability we recommend the Rotary (R.E.) Union (see page 4), or the Rotary (P.B.) Union (see page 6). The Rotary (L.C.) Union is also useful if there are space limitations, for example where two rotary shafts are close together, or there is limited space between the shaft end and the machine frame. There are two different types available:-

TYPE L.C./B.E.

This rotary (L.C.) Union is a single flow unit suitable for transferring fluid into or out of a rotating machine shaft.

TYPE L.C./S.T.

This Rotary (L.C.) Union has the body end tapped to receive a stationary centre tube. This gives flow areas through the centre tube and through the annulus, therefore supply and return of fluid at one end of the machine shaft is possible. Centre tubes are only provided if specified and ordered.

The centre tube should be threaded to pass through the body end and to suit dimension 'O'. An elbow should be fitted onto the tube end matching dimension 'O'. For the 8 (1/4") and 10 (3/8") nominal sizes a pipe thread is impossible. It is therefore necessary to adapt from dimension 'O' to suit a G1/8" or G1/4" Elbow.

Operational Guidelines (For other conditions contact Filton Limited)

FLUIDS: Water, mineral oil and lubricated air (all fluids must be free of abrasives)

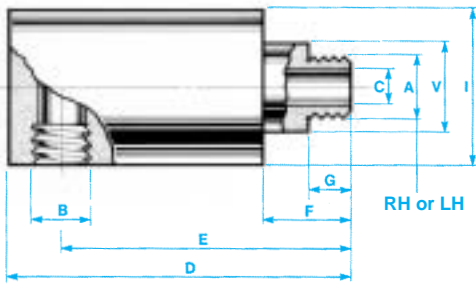
PRESSURE: (max) 10 bar

VACUUM: (max) 740 mmHg

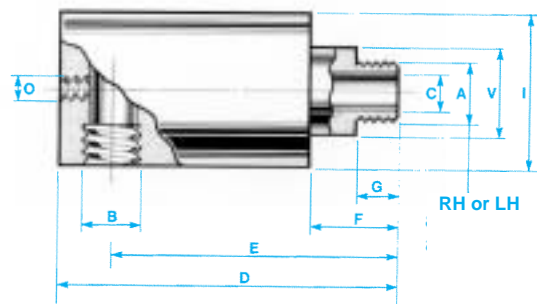
TEMPERATURE: -20° to 75°C.

SPEED: (max) 2000 rpm

TYPE B.E.



TYPE S.T.



Dimensions in millimetres

Nom. Size	Part No*		A	B	C	D	E	F	G	I	O	V
	Type B.E.	Type S.T.										
8 (1/4")	18070	18110	G1/4"	R1/4"	6	90	78	24	11	40	M5 x 0.8	24
	18070U	18110U	1/2" - 20 UNF									
	18070MB	18110MB	M12 x 1.25									
10 (3/8")	18071	18111	G3/8"	R3/8"	10	99	82	26	13	40	M6 x 1.0	24
	18071U	18111U	5/8" - 18 UNF									
	18071MB	18111MB	M15 x 1.5									
15 (1/2")	18073	18112	G1/2"	R1/2"	13	127	107	32	16	65	G1/8	38
	18073U	18112U	3/4" - 16 UNF									
	18073MB	18112MB	M22 x 1.5									
20 (3/4")	18074	18113	G3/4"	R3/4"	17.5	130	110	35	19	65	G1/4	38
	18074U	18113U	1"-14 UNS									
	18074MB	18113MB	M30 x 1.5									

* Add the suffix R for a RH spindle thread 'A'

Add the suffix L for a LH spindle thread 'A'

SEE PAGE 28 FOR INSTALLATION INSTRUCTIONS