

# 2" Non-Metallic Models

## PRO SERIES PUMPS

ARO® PRO 2" non-metallic pumps achieve flow rates of up to 145 GPM (548.8 LPM) and offer a wide array of material and porting configurations. 2" non-metallic pumps are often used for transfer, filling, recirculation and batching in Chemical, Industrial and Water/Wastewater treatment markets.

|                                    |   |
|------------------------------------|---|
| Ratio:                             | 1:1   |
| Maximum Flow gpm (lpm):            | 145 (548.8)   |
| Displacement per cycle gal (l):    | .72 (2.7)   |
| Air Inlet (Female):                | 1/2 - 14 NPTF - 1   |
| Fluid Inlet/Outlet:                | 2" A.N.S.I./DIN Flange  |
| Max. operating pressure psi (bar): | 120 (8.3)   |
| Suspended solids max. dia in (mm): | .25 (6.4)   |
| Weight lbs (kg):                   | 6662A3-X-C 62 (28.1)<br>Note: Add 23 (10.4) for cast iron air motor section |
| Maximum dry suction lift ft (m):   | 14 (4.27)   |
| Sound Level:                       | 70 PSI 60 Cycles/Min 77.7 db(A)   |



6662A3-333-C

### Ordering

| Position | 1     | 2 |   | 3 | 4 | 5 |   | 6 |
|----------|-------|---|---|---|---|---|---|---|
| Example: | 6662X | X | - | X | X | X | - | C |

| Position 1<br>Center Body     | Position 2<br>Fluid Caps<br>Manifold Material                          | Position 3<br>Seat Material   | Position 4<br>Ball Check Material  | Position 5<br>Diaphragm Material   |
|-------------------------------|--|---|--|--|
| A - Aluminum<br>B - Cast Iron | 3 - Polypropylene Flange<br>(3-piece manifold)<br>4 - P.V.D.F. (Kynar) | 2 - 316 Stainless Steel<br>3 - Polypropylene<br>4 - P.V.D.F. (Kynar)<br>8 - 440 Stainless Steel | 1 - Neoprene<br>2 - Nitrile<br>3 - Viton<br>4 - PTFE<br>8 - Polyurethane<br>C - Hytrel<br>E - Santoprene | 1 - Neoprene<br>2 - Nitrile<br>3 - Viton<br>4 - PTFE / Santoprene<br>6 - Composite PTFEE<br>9 - Hytrel<br>B - Santoprene |

### Accessories

#### Air Line Connection Kit | 66084-1

(Piggyback Filter/Regulator with gauge, pipe nipple and 5-foot air hose)

#### Cycle Counter Kit | 66975

#### Service Repair Kits | 637118-C (air section)

637165-XX (fluid section)

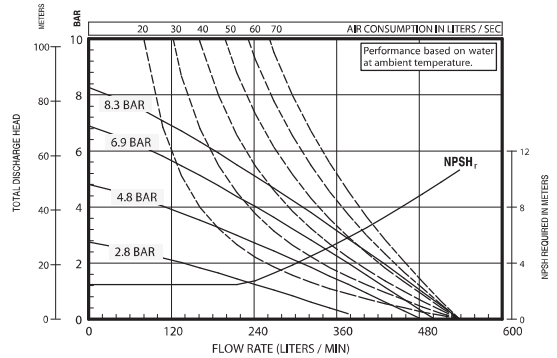
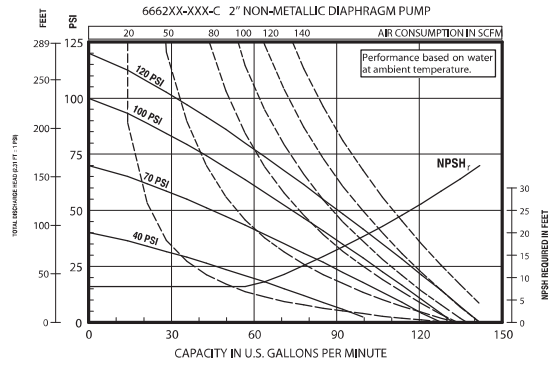
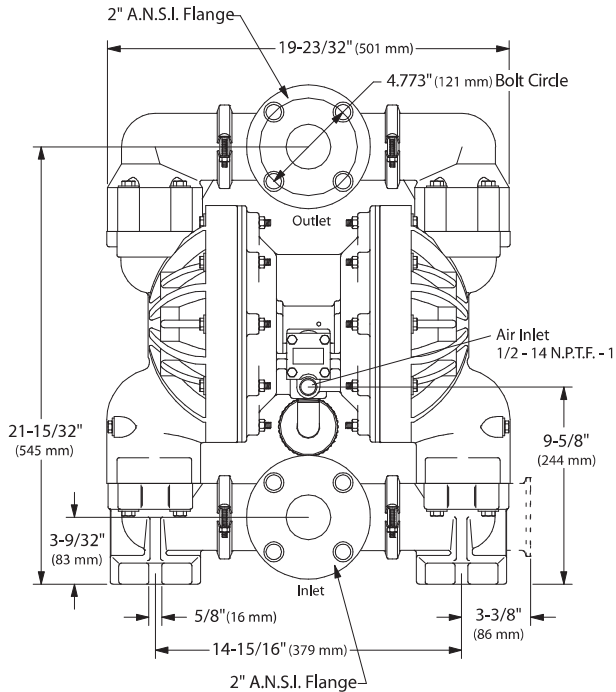
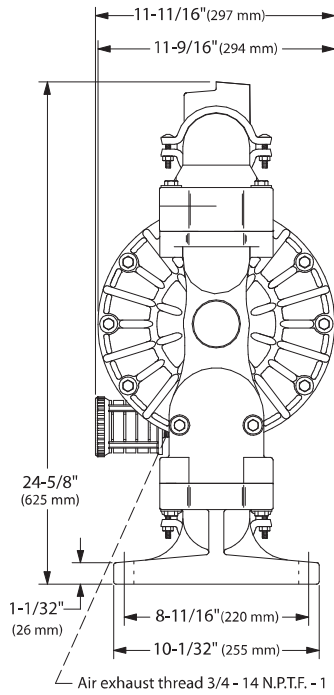
**Flange Connection Kit | 67080** Kit meets ANSI specifications. Flange constructed of glass-filled polypropylene. Bolts, washers and nuts are stainless steel. Gasket is 4401 klinger synthetic fiber nitrile binder.



Flange Connection Kit

## 2" Non-Metallic Dimensions and Flow Charts

All dimensions are given in inches and millimeters (mm).



Refer to [www.AROzone.com](http://www.AROzone.com) for full size flow curves.  
For additional information contact technical support at 1.800.495.0276