

1" Non-Metallic Models

PRO SERIES PUMPS

ARO® PRO 1" non-metallic diaphragm pumps are a versatile solution for numerous applications. Our PRO 1" models achieve flow rates of up to 47 GPM (178 LPM) and offer a wide array of material and porting configurations. These pumps are often used for transfer, filling, recirculation and supply in Chemical, Industrial and Water/Wastewater treatment markets.

Ratio:	1:1
Maximum Flow gpm (lpm):	47 (177.9)
Displacement per cycle gal (l):	.17 (0.64)
Air Inlet: (Female)	1/4 - 18 NPT
Fluid Inlet/Outlet:	1 - 11-1/2 NPTF - 1 Rp 1 (1 - 11 BSP, parallel) 1" ANSI/DIN Flange
Max. operating pressure psi (bar):	120 (8.3)
Suspended solids max. dia in (mm):	.125 (3.2)
Weight lbs (kg):	6661A3-, 1AF-, 1AJ-, 1AL- 20.3 (9.2) 6661B3-, 1BE-, 1BJ-, 1BL- 28.8 (13.1)
Maximum dry suction lift ft (m):	15 (4.6)
Sound Level:	70 PSI 60 Cycles/Min 64.5 db(A)



6661AJ-3EB-C

6661A3-244-C

Ordering

Position	1	2	3	4	5	6		
Example:	6661X	X	-	X	X	X	-	C

Position 1 Center Body	Position 2 Fluid Caps Manifold Material	Position 3 Seat Material	Position 4 Ball Check Material	Position 5 Diaphragm Material
A - Aluminum B - Cast Iron	3 - Polypropylene Flange (3-piece manifold) F - Polypropylene Flange (one-piece manifold) J - Polypropylene N.P.T. threads (one piece manifold) L - Polypropylene BSP threads (one-piece manifold)	2 - 316 Stainless Steel 3 - Polypropylene 4 - PVDF (Kynar) 8 - Hard 400 Stainless Steel	1 - Neoprene 2 - Nitrile 4 - PTFE 5 - E.P.R. 8 - Polyurethane A - 316 Stainless Steel C - Hytrel E - Santoprene M - Medical Grade Santoprene	1 - Neoprene 2 - Nitrile 4 - PTFE/ Santoprene 5 - E.P.R. 6 - Composite PTFE M - Medical Grade Santoprene

Accessories

Air Line Connection Kit | 66073-2

(Piggyback Filter/Regulator with gauge, pipe nipple and 5-foot air hose)

Cycle Counter Kit| 66975

Service Repair Kits | 637118-C (air section)

637161-XX-C (fluid section)

Flange Connection Kit | 67078 Kit meets ANSI specifications.

Flange constructed of glass-filled polypropylene. Bolts, washers and nuts are stainless steel. Gasket is 4401 klinger synthetic fiber nitrile binder.

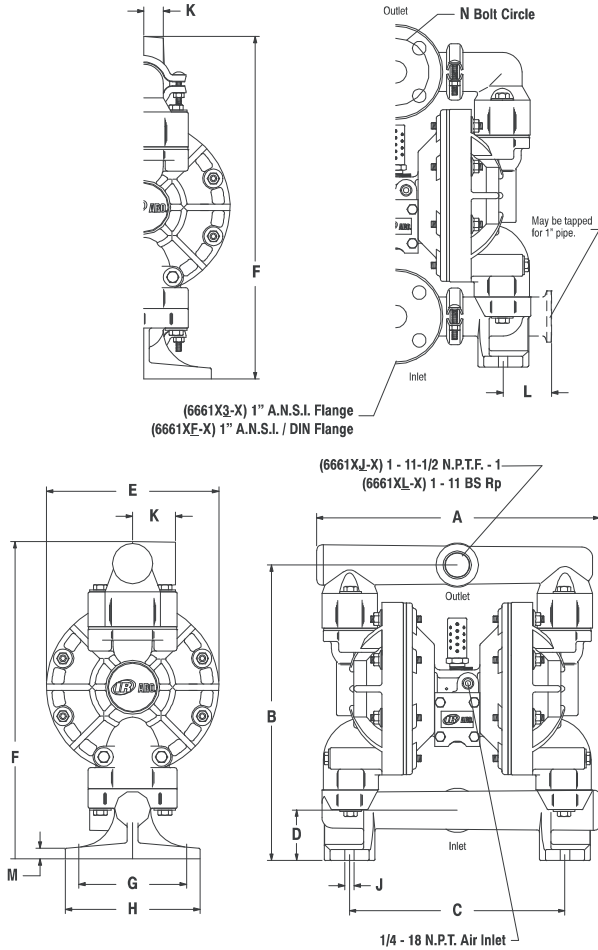


Air Line Connection Kit
66073-2



Flange Connection Kit
67078

1" Non-Metallic Dimensions and Flow Charts



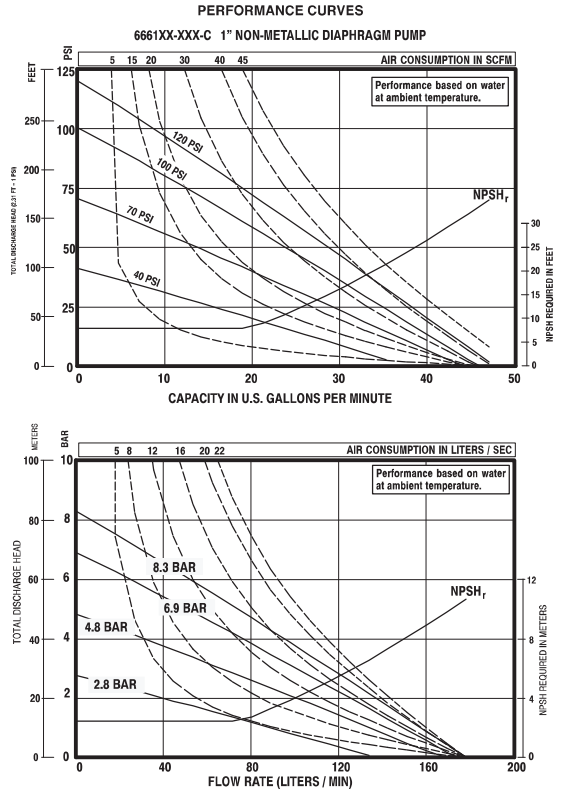
(6661X3-X) 1" A.N.S.I. Flange
(6661XE-X) 1" A.N.S.I. / DIN Flange

(6661XJ-X) 1 - 11-1/2 N.P.T.F. - 1
(6661XL-X) 1 - 11 BS Rp

1/4 - 18 N.P.T. Air Inlet

DIMENSIONS

	6661X3-X	6661XJ-X 6661XL-X	6661XF-X
A	12-21/32" (321 mm)	13-5/32" (334 mm)	13-5/32" (334 mm)
B	13-25/32" (349 mm)	13-25/32" (350 mm)	13-25/32" (350 mm)
C	10-1/16" (255 mm)	10-1/16" (255 mm)	10-1/16" (255 mm)
D	2-3/8" (60 mm)	2-11/32" (59 mm)	2-11/32" (59 mm)
E	8-1/16" (204 mm)	8-1/16" (204 mm)	8-1/16" (204 mm)
F	16" (406 mm)	14-13/16" (376 mm)	16" (406 mm)
G	5-1/32" (128 mm)	5-1/32" (128 mm)	5-1/32" (128 mm)
H	6-9/32" (160 mm)	6-9/32" (160 mm)	6-9/32" (160 mm)
J	7/16" (11 mm)	7/16" (11 mm)	7/16" (11 mm)
K	15/16" (23 mm)	2" (51 mm)	1-1/32" (26 mm)
L	2-9/32" (57 mm)		
M	1/2" (13 mm)	1/2" (13 mm)	1/2" (13 mm)
N	3.140" (80 mm)		3.140" (80 mm)
	6661XK-X		
	6661XN-X		



Refer to www.AROzone.com for full size flow curves.
For additional information contact
technical support at 1.800.495.0276