

# 3/4" Metallic Models

## COMPACT SERIES PUMPS

Part of our Compact Series of pumps our 3/4" metallic pumps feature big performance in a small package. They achieve flow rates up to 14.8 GPM (56 LPM) and offer a wide range of material and porting configurations.

|                                  |   |
|----------------------------------|---|
| Ratio:                           | 1:1   |
| Maximum Flow:                    | 13.6-g.p.m. (51.5-l.p.m.)                             |
| Displacement per cycle:          | 0.030-Gallons (0.11-Liters)                           |
| Air Inlet: (Female)              | 1/4 - 18 P.T.F. SAE Short                             |
| Fluid Inlet/Outlet:              | 3/4 - 14 N.P.T.F.-2<br>Rp 3/4 (3/4 -14 BSP, parallel) |
| Max. operating pressure:         | 100-psi (6.9-bar)                                     |
| Suspended solids max. dia.:      | 3/32" (2.4-mm)  |
| Weight: lbs (kg)                 | PX07R 8.74 (3.96)<br>PX07A 11.0 (4.99)                |
| Maximum dry suction lift: ft (m) | 15 (4.5)  |
| Sound Level:                     | 70 PSI 60 Cycles/Min 75 db(A)                         |

**UPGRADE**  
PUMP FOR REMOTE  
ACTUATION CAPABILITY



PD07R-AAS-FAA

### Ordering

| Position | 1    | 2 |   | 3 | 4 | 5 |   | 6 | 7 | 8 |   | 9 | 10 | 11 |
|----------|------|---|---|---|---|---|---|---|---|---|---|---|----|----|
| Example: | PX07 | X | - | X | X | S | - | X | X | X | - | A | X  | X  |

| Position 1<br>Model<br>Series                     | Position 2<br>Center<br>Section    | Position 3<br>Connections                                     | Position 4<br>Wetted<br>Parts | Position 5<br>Hardware | Position 6<br>Seat<br>Material    | Position 7<br>Ball<br>Material             | Position 8<br>Diaphragm<br>Material                              | Position 9   |
|---|------------------------------------|---|-------------------------------|------------------------|-----------------------------------|--|--|--|
| D - Standard Pump<br>E - Remote Actuation Capable | A - Aluminum*<br>R - Polypropylene | A - 3/4 - 14 N.P.T.F.-2<br>B - Rp 3/4 (3/4 -14 BSP, parallel) | A - Aluminum*                 | S - SS                 | F - Aluminum<br>P - Polypropylene | A - Santoprene®<br>C - Hytrel®<br>T - PTFE | A - Santoprene®<br>C - Hytrel®<br>L - Long-Life PTFE<br>T - PTFE | Revision Level<br><b>Position 10 &amp; 11 Specialty Code</b><br>Fluid control options for pump with electronic interface (PE05 model). See complete description on page 33 |

\* Acceptable for use in hazardous locations. - NEC / CEC: Class I&II, Div 1&2, Group A-D  
- ATEX: Zone 1&2, 21&22

Hytrel® and Viton® are registered trademarks of the DuPont company. Santoprene® is a registered trademark of Monsanto Company, licensed to Advanced Elastomer Systems, L.P.

### Accessories

**Air Line Connection Kit | 66073-1**

(Piggyback Filter/Regulator with gauge, pipe nipple and 5-foot air hose)

**Cycle Counter Kit | 66975**

**Wall Mount Bracket Kit | 76763**

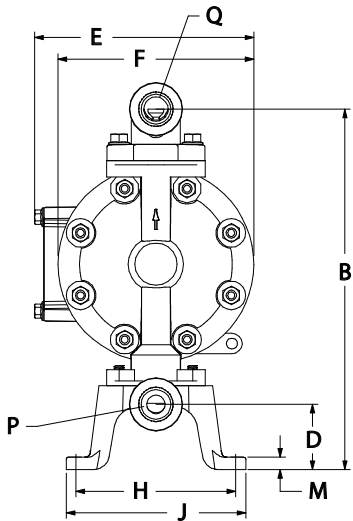
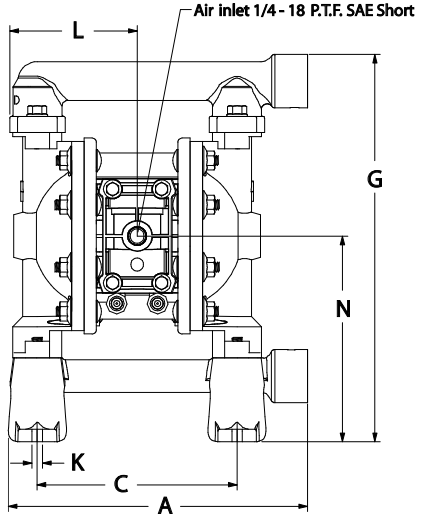
**Optional Muffler | 93110** used with 637438 kit

**Service Repair Kits | 637428** (air section)  
637427-XX (fluid section)



Air Line Connection Kit  
66073-1

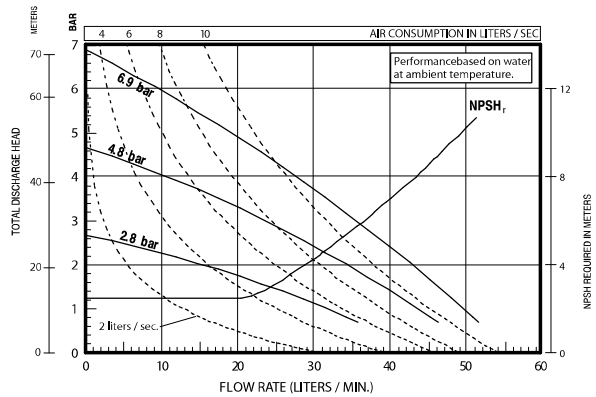
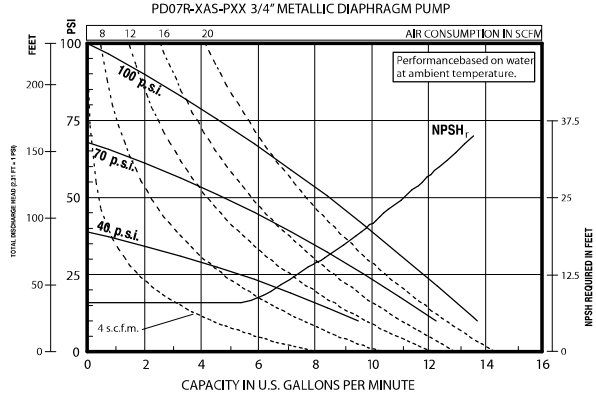
### 3/4" Metallic Dimensions and Flow Charts



#### DIMENSIONS

|                       |                        |                      |
|-----------------------|------------------------|----------------------|
| A - 9-9/32"(235.3mm)  | F - 6"(152.4 mm)       | L - 3-29/32"(99.2mm) |
| B - 11-1/16"(280.4mm) | G - 11-7/8"(301.2 mm)  | M - 3/8"(9.5mm)      |
| C - 6-1/8"(155.6mm)   | H - 4-29/32"(124.2 mm) | N - 6-5/16"(159.8mm) |
| D - 2"(50.8mm)        | J - 5-1/2"(139.7mm)    |                      |
| E - 6-23/32"(170.6mm) | K - 5/16"(8.0 mm)      |                      |

|               |                     |                     |
|---------------|---------------------|---------------------|
| Model         | "P" Material Inlet  | "Q" Material Outlet |
| PD07R-AAS-PXX | 3/4- 14N.P.T.F. - 2 | 3/4- 14N.P.T.F. - 2 |
| PD07R-BAS-PXX | Rp 3/4(3/4- 14BSP)  | Rp 3/4(3/4- 14BSP)  |



Refer to [www.AROzone.com](http://www.AROzone.com) for full size flow curves.  
For additional information contact  
technical support at 1.800.495.0276

#### Ordering Position 10

#### Specialty Code 1 (Blank if no Specialty Code)

|                     |  |
|---------------------|--|
| A - Solenoid 120VAC | G - Solenoid 12VDC ATEX/IECex*             |
| B - Solenoid 12VDC  | H - Solenoid 24VDC ATEX/IECex*             |
| C - Solenoid 240VAC | J - 120VAC NEC/CEC*                        |
| D - Solenoid 24VDC  | K - Solenoid 220VAC ATEX/IECex*            |
| E - 12VDC NEC/CEC*  | N - Solenoid with no coil                  |
| F - 24VDC NEC/CEC*  | O - Standard Valve Block (No Solenoid)     |
|                     | P - Ported Motor (No major valve provided) |

#### Ordering Position 11

#### Specialty Code 2 (Blank if no Specialty Code)

|  |  |
|--|--|
| E - End of stroke feedback + Leak Detection  | L - Leak Detection                                     |
| F - End of stroke feedback                   | M - Leak Detection ATEX/IECex/NEC/CEC*                 |
| G - End of Stroke ATEX/IECex*                | O - No Option  |
| H - End of Stroke/Leak Detection ATEX/IECex* | R - End of Stroke Feedback NEC / CEC*                  |
|  | T - End of Stroke Feedback + Leak Detection NEC / CEC* |

\* Acceptable for use in hazardous locations. - NEC / CEC: Class I&II, Div 1&2, Group A-D  
- ATEX: Zone 1&2, 21&22