

# SUBMERSION PROBE HOLDER

## "PEC"

Data Sheet

### FEATURES

- pH / Redox Ø 12 submersion probe-holder.
- SN6 (PG13.5) available.

#### PEC

Electrodes	pH, ORP Ø 12
Max temperature	80°C
Material	PP
Length	100 cm

#### PEC/SN6

Electrodes	SN6 Ø12 threading PG 13.5
Other features as PEC	

#### PEC/IM

Electrodes	conductivity (threading 3/4")
Other features as PEC	

#### PEC-E

Electrodes	ETORBH or EOLUM
Other features as PEC	

#### PEC2

Elettrodi	Ø 12 threading PG 13.5
Max temperature	80°C
Material	PVC
Length	100 cm

**PECAP2** immersion self-cleaning probe holder with a compressed air or water cleaning fitting operated manually or, using a LD controller, automatically.

Electrodes	Ø 12 threading PG 13.5
Other features as PEC2	

**PECAP/SN6** immersion self-cleaning probe holder with a compressed air or water cleaning fitting operated manually or, using a LD controller, automatically.

Electrodes	SN6 Ø 12 threading PG 13.5
Max temperature	40°C
Material	PVC-PP



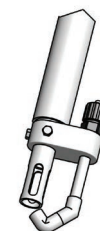
PEC  
PEC/SN6  
PEC/IM



PEC-E



PEC2  
PECAP2



PECAP/SN6

**EMEC**

ISO 9001:2008  
ISO 14001:2004  
OHSAS 18001:2007



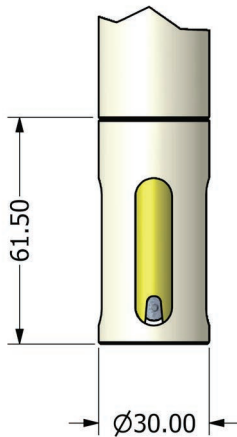
Via Donatori di sangue, 1 - 02100 Vazia (RI) - Italy  
Tel. +39 0746 2284 1 - Fax +39 0746 2284 2 - <http://www.emec.it>

Specifications subject to change without notice.  
ENG R1-06-12

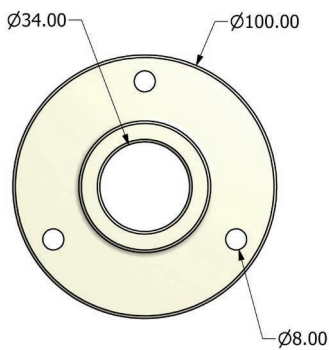
# SUBMERSION PROBE HOLDER "PEC"

Data Sheet

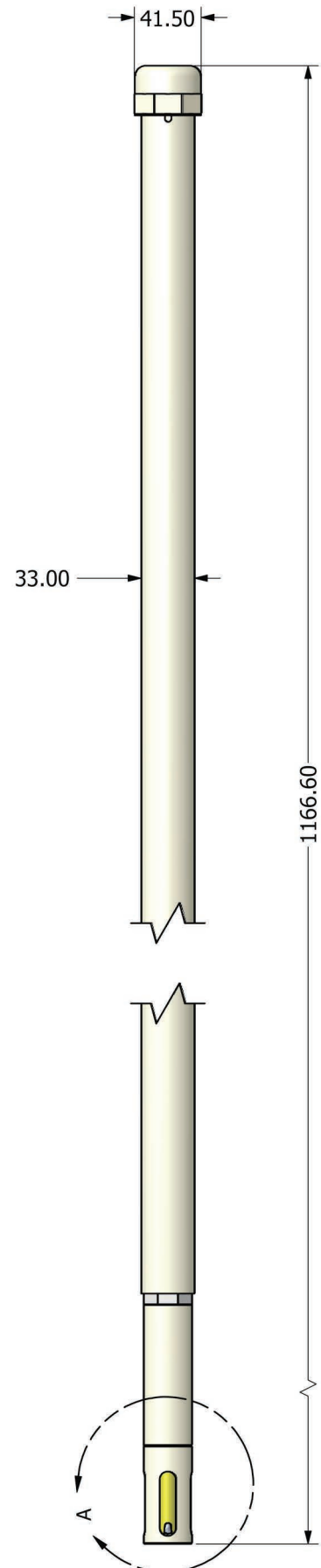
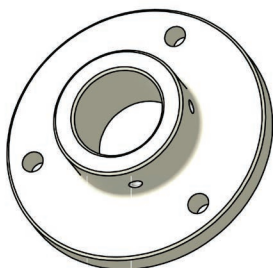
SUBMERSION PROBE HOLDER MADE OF PP  
FOR pH / REDOX PROBES INCLUDING SN6 (PG13.5) VERSION



With system to avoid "PEC" removing during probe calibration.



Tank adapter.



**EMEC**

ISO 9001:2008  
ISO 14001:2004  
OHSAS 18001:2007



Via Donatori di sangue, 1 - 02100 Vazia (RI) - Italy  
Tel. +39 0746 2284 1 - Fax +39 0746 2284 2 - <http://www.emec.it>

Specifications subject to change without notice.  
ENG R1-06-12