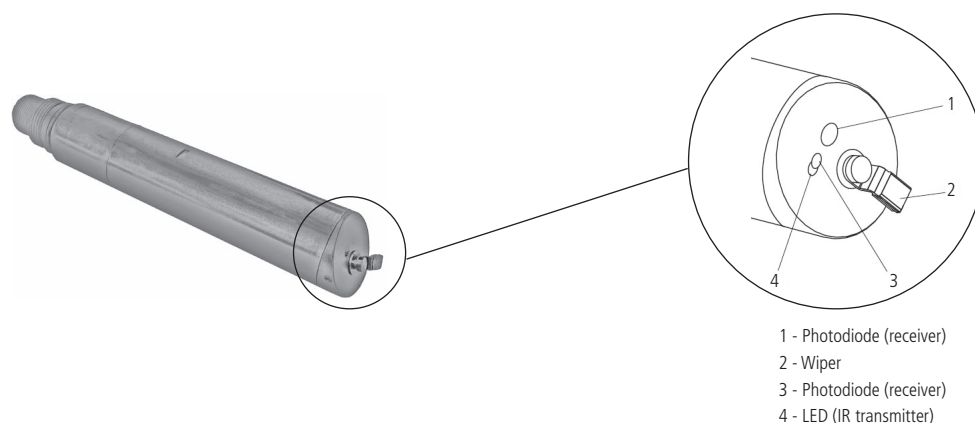


FEATURES

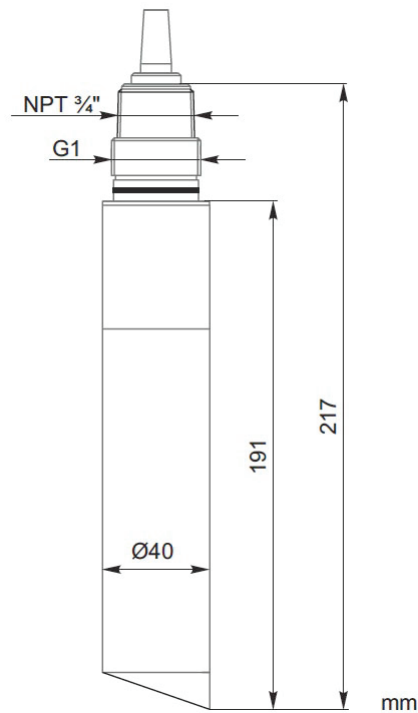
- Turbidity measurement system according to the 90° scattered light method
- Inclined plain sensor surface uses medium flow to increase the self-cleaning effect and repels air bubbles
- NTC temperature compensation
- Factory calibrated ("plug and play")



ETORBH

Measuring range:	0 / 800 NTU	Resolution: ± 0.01
Repeatability	< 1% (0,01 FNU min.) of measured value	
Analysis system:	Nephelometric measuring principle 90° NIR scattered light	
Temperature:	-5 / +50° C (23/122°F)	
Pressure max:	6 bar (87 PSI)	
Connector:	G1	
Cable/connector:	G1 and NPT $\frac{3}{4}$ "	
Cable lenght:	7 mt	
Materials:	Sensor carrier plate, shaft: PVC / PPS GF 40 (polyphenylene sulfide with 40% glass-fibre) Optical windows: Sapphire Wiper: Rubber	
Temperature sensor NTC resistor	30K at 25°C (77°F)	
Probe holders:	NPED-E; PEL-E; PEC-E	

DIMENSION



ACCESSORIES

For updated list of accessories refer to technical datasheet.

ASSEMBLIES

- NPED-E - off-line probe holder
For EOLUM or ETORBH electrodes. Max 50° C, 5bar. Fittings 6x8.
- PEL-E - PVC in-line probe holder for "T" connection (PN 16 Ø63).
For EOLUM or ETORBH electrodes. Max 40°C, 7 bar.
- PEC-E - PP Immersion probe holder
For EOLUM or ETORBH electrodes. Max 80°C. Length 100 cm.

ETORBH COMPLETES "MAX 5" AND "LDTORBH" MEASURING SYSTEM.