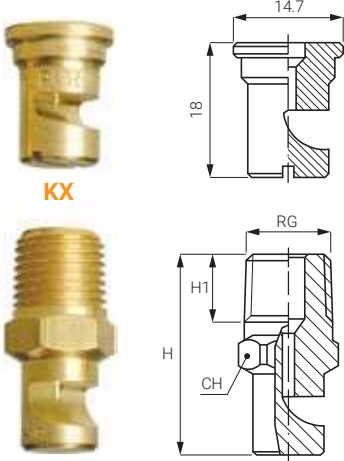


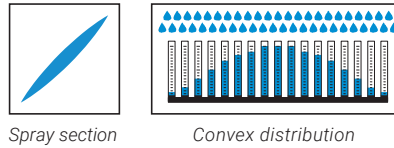
K (FLAT FAN NOZZLES / LARGE SPRAY ANGLE)

LARGE SPRAY ANGLE

K flat fan nozzles work on the deflection principle conveying a water vein onto a machined deflection surface, and produce a jet with a wide angle flat spray pattern, medium impact value and medium size droplets. Between their inlet orifice and spray orientation there is a 75° angle (see below). Their round outlet orifice and free inside passage minimize the risk of clogging. In addition, compared to standard flat fan nozzles working with a limited operating pressure, the K series models with large spray angles produce an excellent mist effect. These K nozzles are available with threaded connections, for capacities from 0390 and 3350, and also as tips to be assembled onto a nipple by means of a retaining nut. An alternative option are the KX types.



THREAD SPECIFICATION: BSPT, NPT



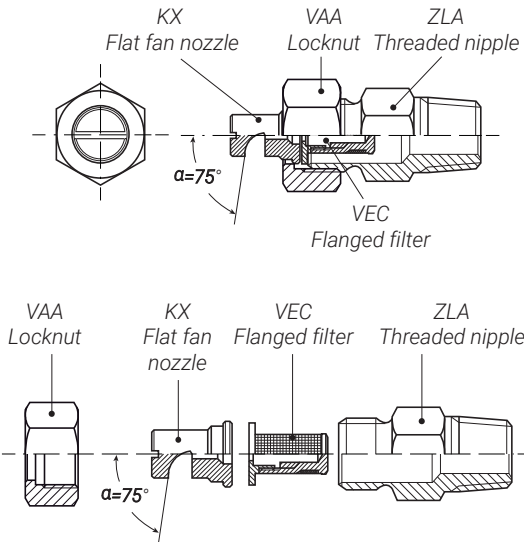
THREAD SIZE AND DIMENSIONS

Here below please find available thread sizes and nozzle dimensions. Different capacities correspond to different deflection angles. The external dimensions may differ even if the thread size is the same. The table includes the largest nozzles with a given thread size.

CODE	RG inch	H mm	H1 mm	CH mm
KGW	1/8"	24,0 (from 0390 to 1120)	8,5	12
		25,0 (from 1160 to 1940)	9,0	
		31,0 (from 2117 to 2157)	10,0	
KHW	1/4"	31,0 (from 1160 to 1940)	12,5	14
		34,0 (from 2117 to 2210)		
KIW	3/8"	44,0 (all codes)	13,0	17
KJW	1/2"	49,0 (all codes)	17,0	22
KKW	3/4"	56,0 (from 2700 to 2940)	20,0	27
		65,0 (from 3110 to 3164)		36
KLW	1"	92,0 (all codes)	26,0	46

ASSEMBLY FITTINGS

The below illustration shows the assembly of a KX nozzle tip (in the middle) with a nipple and a locknut.

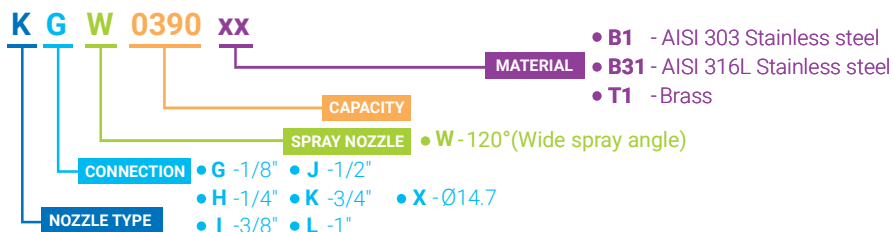


Typical applications

- Washing: fruits, vegetables, crushed stones, other
- Spray: rolling oil, release agents, coolants
- Cooling: metal parts, bottles
- Other applications: foam dispersion, fire-fighting systems, water curtains

HOW TO MAKE UP THE NOZZLE CODE

Ex.: KGW 0390 B1




(FLAT FAN NOZZLES / LARGE SPRAY ANGLE) **K**

LARGE SPRAY ANGLE

KGW 1/8"	KHW 1/4"	KIW 3/8"	KJW 1/2"	KKW 3/4"	KLW 1"	KXW	D mm	CODE	Capacity at different pressure values							Spray angle (°) at pressure (bar)	
									0.5	1.0	2.0	3.0	4.0	5.0	7.0	1.5	4.0
•						•	0.6	0390	0.16	0.23	0.32	0.39	0.45	0.50	0.60	90°	120°
•						•	0.7	0590	0.24	0.34	0.48	0.59	0.68	0.76	0.90	105°	120°
•						•	0.8	0780	0.32	0.45	0.64	0.78	0.90	1.01	1.19	110°	125°
•						•	1.0	1120	0.49	0.69	0.98	1.20	1.39	1.55	1.83	105°	122°
•	•					•	1.1	1160	0.65	0.92	1.31	1.60	1.85	2.07	2.44	110°	130°
•	•					•	1.3	1200	0.82	1.15	1.63	2.00	2.31	2.58	3.06	120°	130°
•	•					•	1.4	1230	0.94	1.33	1.88	2.30	2.66	2.97	3.51	110°	125°
•	•					•	1.6	1310	1.27	1.79	2.53	3.10	3.58	4.00	4.74	120°	130°
•	•					•	1.8	1390	1.59	2.25	3.18	3.90	4.50	5.03	5.96	130°	140°
•	•					•	2.3	1590	2.41	3.41	4.82	5.90	6.81	7.62	9.01	120°	130°
•	•					•	2.6	1780	3.18	4.50	6.37	7.80	9.01	10.1	11.9	130°	140°
•	•					•	2.9	1940	3.84	5.43	7.68	9.40	10.9	12.1	14.4	140°	150°
•	•					•	3.3	2117	4.78	6.75	9.55	11.7	13.5	15.1	17.9	110°	120°
•	•					•	3.6	2141	5.76	8.14	11.5	14.1	16.3	18.2	21.5	120°	130°
•	•					•	3.8	2157	6.41	9.06	12.8	15.7	18.1	20.3	24.0	120°	130°
	•					•	4.0	2172	7.02	9.93	14.0	17.2	19.9	22.2	26.3	125°	135°
	•					•	4.1	2188	7.68	10.9	15.4	18.8	21.7	24.3	28.7	130°	140°
	•					•	4.4	2210	8.57	12.1	17.1	21.0	24.2	27.1	32.1	135°	145°
		•				•	4.5	2230	9.39	13.3	18.8	23.0	26.6	29.7	35.1	110°	120°
		•				•	5.0	2270	11.0	15.6	22.0	27.0	31.2	34.9	41.2	115°	125°
		•	•			•	5.3	2310	12.7	17.9	25.3	31.0	35.8	40.0	47.4	125°	135°
		•	•				5.6	2350	14.3	20.2	28.6	35.0	40.4	45.2	53.5	130°	140°
			•				6.0	2390	15.9	22.5	31.8	39.0	45.0	50.3	59.6	130°	140°
			•				6.5	2470	19.2	27.1	38.4	47.0	54.3	60.7	71.8	135°	140°
			•				7.1	2550	22.5	31.8	44.9	55.0	63.5	71.0	84.0	135°	145°
			•				7.5	2630	25.7	36.4	51.4	63.0	72.7	81.3	96.2	140°	150°
				•			8.0	2700	28.6	40.4	57.2	70.0	80.8	90.4	107	130°	140°
				•			8.4	2780	31.8	45.0	63.7	78.0	90.1	101	119	135°	145°
				•			8.7	2860	35.1	49.7	70.2	86.0	99.3	111	131	135°	145°
				•			9.3	2940	38.4	54.3	76.8	94.0	109	121	144	140°	150°
				•			10.3	3110	44.9	63.5	89.8	110	127	142	168	125°	135°
				•			11.0	3125	51.0	72.2	102	125	144	161	191	130°	135°
				•			11.4	3141	57.6	81.4	115	141	163	182	215	130°	135°
				•			12.2	3164	67.0	94.7	134	164	189	212	251	135°	145°
					•		14.6	3235	95.9	136	192	235	271	303	359	130°	135°
					•		17.9	3350	143	202	286	350	404	452	535	130°	135°

ASSEMBLY FITTINGS

KX series nozzles are assembled with pipe clamp, welding nipple and locknut. Our assembly accessories are available in many different types and materials.

Name	Material code	Appearance	Model no.	
			3/8" Standard size	3/4" Large size
Locknut <i>P.90</i>	B1 - AISI 303 B31 - AISI 316L T1 - Brass D6 - Fiberglass reinforced PP		VAA 0380 xxB	VAA 0750 xxB
Welding nipple <i>P.91</i>	B1 - AISI 303 B31 - AISI 316L		ZAA C018 xxG	ZAA E027 xxG
Threaded nipple <i>P.91</i>	B1 - AISI 303 B31 - AISI 316L T1 - Brass		ZLA 2538 xxB	ZLA 7575 xxB
Metal pipe clamp <i>P.89</i>	B1 - AISI 303 T1 - Brass		ZPM	-
Plastic pipe clamp <i>P.88</i>	D6 - Fiberglass reinforced PP		ZPB 0050 D6	-