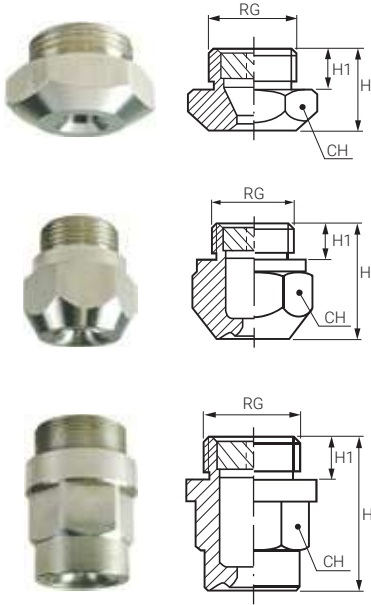


AA (FULL CONE NOZZLES / SHORT BODY)

SLOTTED VANE

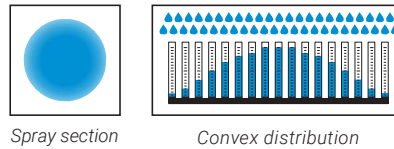
AA series full cone nozzles are made of body and slotted vane, for an even spray distribution. Their design allows them to be 35% shorter than other full cone nozzles. They are used in operating environments with a restricted space available and are cost-effective for the lower material quantity.



THREAD SIZE
BSP, NPT (optional)

TYPICAL APPLICATIONS

- Washing:* exhaust scrubbers washing, vehicle parts and gravel washing
- Cooling:* high-temperature cooling, vehicle parts cooling, tank cooling
- Other applications:* spray of chemicals, sea water desalinization



Spray Angle	CODE	RG inch	D mm	D1 mm	Capacity at different pressure values (l/min) (bar)								H mm	H1 mm	WS mm
					0.5	0.7	1.0	2.0	3.0	5.0	7.0	10			
90°	AAU 2305 xx	3/4"	6.1	3.0	12.5	14.7	17.6	24.9	30.5	39.4	46.6	55.7	22	10	32
	AAU 2385 xx		6.7	3.0	15.7	18.6	22.2	31.4	38.5	49.7	58.8	70.3			
	AAU 2490 xx		7.8	4.0	20.0	23.7	28.3	40.0	49.0	63.3	74.8	89.5			
	AAU 2610 xx	1"	9.0	4.0	24.9	29.5	35.2	49.8	61.0	78.7	93.2	111	27	12	40
	AAU 2780 xx		10.5	5.0	31.8	37.7	45.0	63.7	78.0	101	119	142			
	AAU 3123 xx	1 1/4"	12.5	6.0	50.2	59.4	71.0	100	123	159	188	225	30	14	50
	AAU 3194 xx	1 1/2"	16.0	6.0	79.2	93.7	112	158	194	250	296	354	35	16	60
	AAU 3310 xx	2"	20.0	7.0	127	150	179	253	310	400	474	566	45	18	75
	AAU 3386 xx		23.0	9.0	158	186	223	315	386	498	590	705			
	AAU 3490 xx	2 1/2"	25.0	12.0	200	237	283	400	490	633	748	895	52	22	90
AAU 3610 xx	28.5		13.0	249	295	352	498	610	788	932	1114				
AAU 3775 xx	3"	32.0	16.0	316	374	447	633	775	1001	1184	1415	60	24	110	
120°	AAW 2490 xx	3/4"	7.9	3.0	20.0	23.7	28.3	40.0	49.0	63.3	74.8	89.5	38	11	32
	AAW 2780 xx	1"	13.7	6.0	31.8	37.7	45.0	63.7	78.0	101	119	142	47	15	40
	AAW 3123 xx	1 1/4"	12.7	6.0	50.2	59.4	71.0	100	123	159	188	225	62	19	50
	AAW 3194 xx	1 1/2"	16.0	6.0	79.2	93.7	112	158	194	250	296	354	77	21	50
	AAW 3310 xx	2"	20.0	10.0	127	150	179	253	310	400	474	566	99	24	60
	AAW 3386 xx		22.7	10.0	158	186	223	315	386	498	590	705			
	AAW 3490 xx	2 1/2"	25.5	12.0	200	237	283	400	490	633	748	895	123	27	75
	AAW 3610 xx		30.0	13.0	249	295	352	498	610	788	932	1114			
AAW 3775 xx	3"	32.0	14.0	316	374	447	633	775	1001	1184	1415	150	30	85	



Slotted disc vane



AA nozzles design is ideally suited for plastic materials.

Slotted vane, so called for its spray section with 6 flows slots on its edge portion and one in the centre. These vanes produce high-speed rotation of pressurized liquids that flow into turbulence chambers where they are atomized. Slotted vanes provide an excellent atomization in a short time. Effective for cost-saving and in case of limited space.

MATERIAL	3/4"	1"	1 1/4"	1 1/2"	2"	2 1/2"	3"
B31 - AISI 316L	•				•	•	•
T1 - Brass	•	•					
D1 - PVC	•	•	•	•	•	•	•

HOW TO MAKE UP THE NOZZLE CODE

Ex.: AAU 2305 B31

