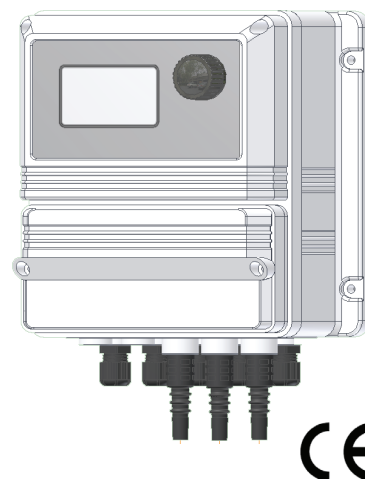


FEATURES

- Instrument operated by a rotation "Encoder"
- Turbidity range: 0-9999 NTU
- PT100 Temperature probe
- Threshold alarm
- Flow alarm
- Programmable delay at dosing startup (max 60 minutes)
- Working mode: on/off



Microprocessor digital regulator for Turbidity with temperature reading.

In On/Off working mode, a "STK Speed" function let the pumps operate at pulses per minutes for a set time (1 pulse every x minutes) to provide a reaction time.

INPUT:

- Flow
- Turbidity probe
- Temperature probe
- Power supply

OUTPUT:

- Proportional on/off (turbidity)
- Proportional on/off (probe cleaning)
- General alarm

ELECTRICAL

INPUT SIGNAL

Cable (Turbidity)

POWER SUPPLY

90-265 VAC; 50/60 Hz

AVERAGE CONSUMPTION

25 W

ON/OFF OUTPUT

2 relays; 5A @ 230 VAC
(fuse protected)

ALARM OUTPUT

85÷264VAC

EMEC

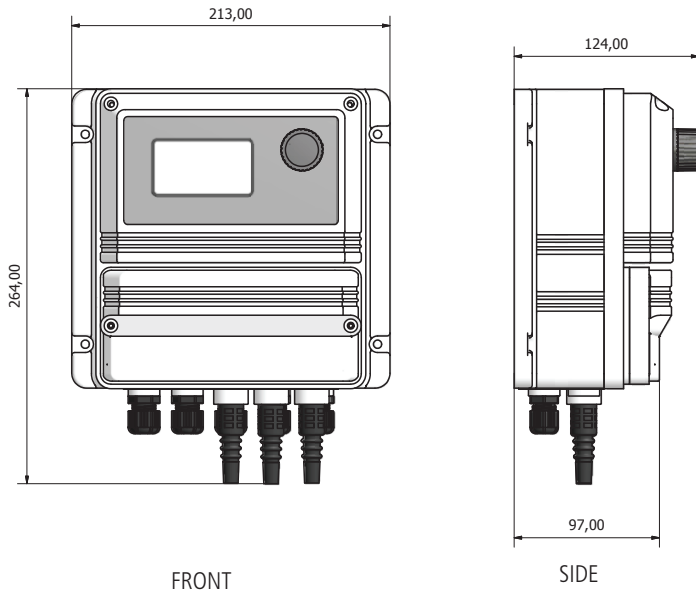
ISO 9001:2008
ISO 14001:2004
OHSAS 18001:2007



Via Donatori di sangue, 1 - 02100 Vazia (RI) - Italy
Tel. +39 0746 2284 1 - Tel. +39 0746 1725114 - Fax +39 0746 2284 2 - <http://www.emec.it>

Specifications subject to change without notice.
ENG R1-11-10

DIMENSIONS



ENCLOSURE

IP65 enclosure (NEMA4x).

LDSTORBH control instruments are manufactured in ABS housing to ensure protection against aggressive chemicals and tough environment.

ENVIRONMENT

-10°C ÷ 50°C (14°F ÷ 122°F)

0÷95% (non condensing) relative humidity

TURBIDITY PROBE

TURBIDITY PROBE	
Model	Range
ETORBH	0-9,999 NTU
	0-99,99 NTU
	0-999,9 NTU
	0-9999 NTU