

# BGX-BGDX heavy duty

STAINLESS STEEL AISI 304 / ACCIAIO INOX AISI 304

ø 550 mm  
drum/tamburo

optional [page 88-93](#)

**BGXSG30** for/per BGX  
**BGDXSG40** for/per BGDX



**P12A70/80/95**



II 2G/D  
optional

ordering the "ATEX" version indicating the hose reel code preceded by "EX"  
*ordinare la versione "ATEX" indicando il codice dell'avvolgitubo preceduto da "EX"*

Spring side with guide-hose arm in "B" position  
*Lato molla con braccio guidatubo in posizione B*



**EN** Automatic hose reels particularly suitable for surface washing operations with water and detergent. Available versions with hose manufactured with compliant materials for water passage in contact with food. Not suitable for conveying foodstuffs. Single-support structure with outer spring and drum rotates on ball bearings. Hose-guide arms adjustable in three different positions according to the hose reel installation (pos. A-B-C). Standard: connection hose for versions with hose, lateral protective covers (not available for mod. ATEX), 4-roller hose guide. Optional: revolving stand.

**FR** Enrouleurs automatiques particulièrement adaptés pour le lavage de surfaces à l'eau et détergents. Versions disponibles équipés de tuyau fabriqué avec des matériaux conformes pour le passage de l'eau pour le contact alimentaire. Ne convient pas au transfert de produits alimentaires. Structure à support unique avec ressort externe, rotation du tambour sur roulements à billes. Bras guide-tuyau orientables en 3 positions différentes pour permettre l'installation souhaitée (pos. A-B-C). De série: tuyau de connexion pour versions avec tuyau, couvercles latéraux de protection (pas disponibles pour mod. ATEX), guide tuyau 4 rouleaux. En option: support pivotant.

**DE** Schlauchaufroller besonders geeignet für die Reinigung von Oberflächen mit Wasser und Reinigungsmitteln. Verfügbare Versionen mit Schlauch aus konformen Materialien für den Wasserdurchgang in Kontakt mit Lebensmitteln. Nicht zur Förderung von Lebensmitteln geeignet. Einfachhalterung mit äußerer Aufzugsfeder, kugelgelagerte Schlauchtrommel. Schwenkbare Arme für 3

versch. Positionen (s.Abb. A-B-C). Serienmäßig: Verbindungsschlauch bei Versionen mit Schlauch, Schlauchführung mit 4 Rollen, seitliche Schutzverkleidungen (nicht verfügbar für mod. ATEX). Optional: Schwenkkonsole.

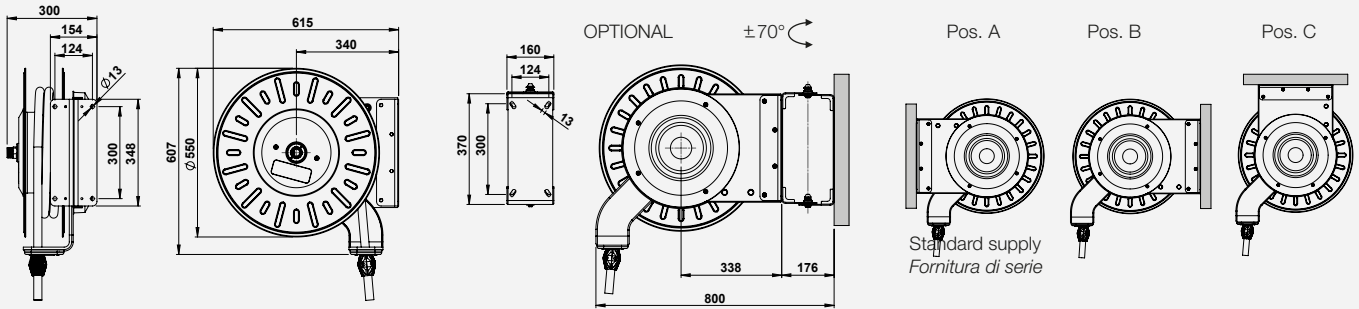
**ES** Enrolladores automáticos ideados especialmente para operaciones de lavado de superficies con agua y detergentes. Versiones disponibles con manguera fabricada con materiales conformes para el paso de agua en contacto con alimentos. No apto para el transporte de alimentos. Estructura de un único soporte con muelle exterior, rotación del tambor sobre cojinetes de rodamiento. Brazo guía manguera fijable en tres diversas posiciones para permitir la instalación deseada (pos. A-B-C). Estándar:

manguera de conexión en los modelos con manguera, tapas laterales de protección (no disponibles para mod. ATEX), guía manguera de 4 rodillos. Opcional: soporte giratorio.

**IT** Avvolgitubo automatici particolarmente adatti per operazioni di lavaggio di superfici con acqua e detersivi. Disponibili versioni con tubo fabbricato con materiali conformi per passaggio di acqua per contatto con alimenti. Non idonei per veicolare alimenti. Struttura monosupporto con molla esterna, rotazione del tamburo su cuscinetti a sfera. Bracci guidatubo orientabili in tre diverse posizioni per consentire l'installazione desiderata (pos. A-B-C). Di serie: tubo di collegamento per versioni con tubo, carter laterali di protezione (non disponibili per mod. ATEX), guidatubo a 4 rulli. Optional: supporto girevole.



BGX Dimensions (mm) / Dimensioni (mm)



BGDx Dimensions (mm) / Dimensioni (mm)



Hose reels model Bgx/BGDx without hose / Avvolgitubo modello Bgx/BGDx senza tubo

Fluid Fluido	Max. pressure Pressione max.	Code Codice	Inlet Entrata	Outlet Uscita	Capacity Capacità	Weight (kg) Peso (kg)	ATEX  (optional)
Air/Aria Water Acqua 150°C Oil/Olio	60 bar/870 psi	BGX601230ST	1/2" M	1/2" M	30 m/100 ft	33	•
		BGX600125ST	1" M	3/4" F	(5/8") 25 m/80 ft (3/4") 20 m/65 ft (1") 15 m/50 ft	33	•
Water Acqua 150°C	400 bar/5800 psi	BGX4H3830ST	3/8" F	3/8" M	30 m/100 ft	36	•
		BGX4H1230ST	1/2" M	1/2" M	30 m/100 ft	36	•
Water Acqua 150°C	400 bar/5800 psi	BGDx4H1250ST	1/2" M	3/8" M 1/2" M	(5/16") 50 m/160 ft (3/8"-1/2") 40 m/130 ft	40	•

◇ Variable indicative values according to the type of hose / Valori indicativi variabili in base alla tipologia di tubo

Hose reels model Bgx with hose / Avvolgitubo modello Bgx completi di tubo

Fluid Fluido	Pressure - Hose Pressione - Tubo	Code Codice	Inlet (Bsp) Entrata (Gas)	Outlet (Bsp) Uscita (Gas)	Hose diam. Tubo diam.	Hose length Lungh. Tubo	Weight (kg) Peso (kg)	ATEX  (optional)
Air/Aria Water Acqua 70°C	10 bar/145 psi (70°C) 20 bar/290 psi (25°C) Blue Thermoplastic	BGX101325K	1/2" F	1/2" M	13 x 20	25 m/80 ft	41	
		BGX101330K	1/2" F	1/2" M	13 x 20	30 m/100 ft	42	
		BGX101625K	1/2" F	1/2" M	16 x 23	25 m/80 ft	42	
		BGX101920K	3/4" F	3/4" M	19 x 27	20 m/65 ft	42	
		BGX102515K	1" F	1" F	25 x 34	15 m/50 ft	44	
Water Acqua 70°C	40 bar/580 psi (70°C) 60 bar/870 psi (25°C) Blue Thermoplastic	BGX401330KH	1/2" F	1/2" M	13 x 20	30 m/100 ft	41	
		BGX401920KH	3/4" F	3/4" M	19 x 28	20 m/65 ft	42	
Water Acqua 90°C	10 bar/145 psi (90°) 20 bar/290 psi (25°C) Blue Rubber/Gomma	BGX101920KR	3/4" F	3/4" M	19 x 28	20 m/65 ft	42	
Water Acqua 150°C	400 bar/5800 psi 2SC Hydro blue	BGX4H3825	3/8" F	3/8" M	3/8"	25 m/80 ft	45	
		BGX4H3830	3/8" F	3/8" M	3/8"	30 m/100 ft	48	•
		*BGX4H3825X	3/8" F	3/8" F	3/8"	25 m/80 ft	45	
		BGX3H1225	1/2" F	1/2" F	1/2"	25 m/80 ft	50	
		BGX3H1230	1/2" F	1/2" F	1/2"	30 m/100 ft	55	•

\* Hose with stainless steel fittings / Tubo con raccordi in acciaio inox - □ Fitting of the connection hose / Raccordo del tubo di collegamento