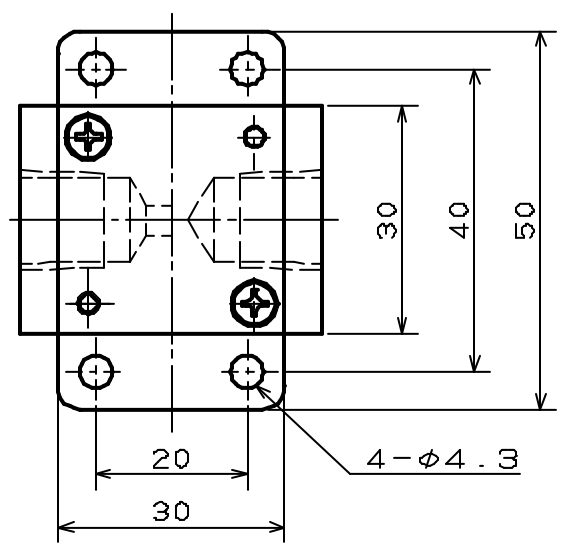
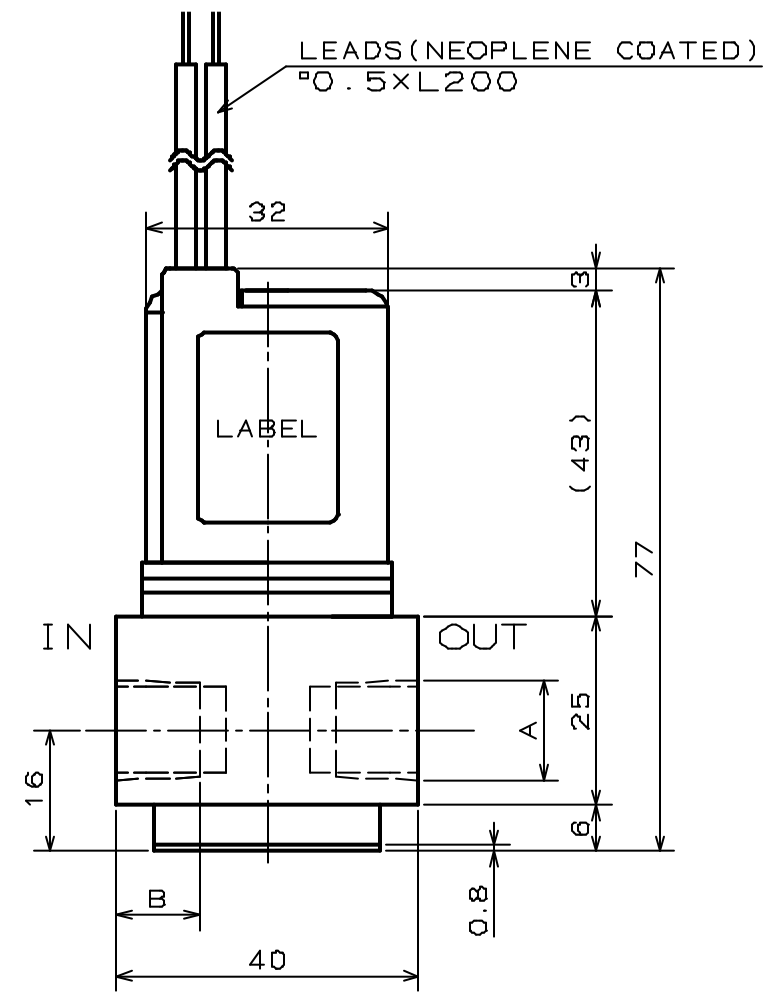


FOR REFERENCE ONLY

SOLENOID VALVE

SPECIFICATIONS for MODEL YTV-2-1/8, 1/4(C)



- ORIFICE DIAMETER : 3mm
- PORT CONNECTION : Rc1/8, 1/4
- OPERATING PRESSURE RANGE : IN -100 ~ 150kPa (-750mmHg ~ 1.5bar)
OUT 0 ~ 30kPa (0 ~ 0.3bar)
- FLUID MEDIA : FLUIDS CHEMICALLY COMPATIBLE WITH MATERIALS BELOW
- MEDIA TEMPERATURE RANGE : 0 ~ 60°C
- AMBIENT TEMPERATURE RANGE : 0 ~ 60°C
- RATED VOLTAGE : 12, 24, 90VDC
100VAC, 200VAC(SILICON RECTIFIER ATTACHED)
- POWER CONSUMPTION : 5W
- OPERATING DURATION : CONTINUOUS DUTY
- COIL TEMPERATURE INCREASE : MAX. 55°C FROM ROOM TEMPERATURE
- INSULATION CLASS : CLASS E
- DIELECTRIC STRENGTH : 1500VAC FOR 60s

MODEL NUMBERS

MODEL NUMBER	PORT CONNECTION(A)	B	BODY MATERIAL
YTV-2-1/8	Rc1/8	8	PTFE
YTV-2-1/4	Rc1/4	11	PTFE
YTV-2-1/8C	Rc1/8	8	SUS316
YTV-2-1/4C	Rc1/4	11	SUS316

WETTED MATERIALS

PART NAME	MATERIAL	REQD.	NOTE
DIAPHRAGM	PTFE	1	
VALVE BODY	PTFE/SUS316	1	

SOLENOID VALVE
YTV-2-1/8, 1/4(C)