

FOR REFERENCE ONLY

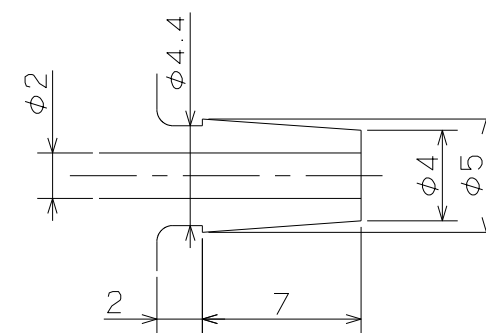
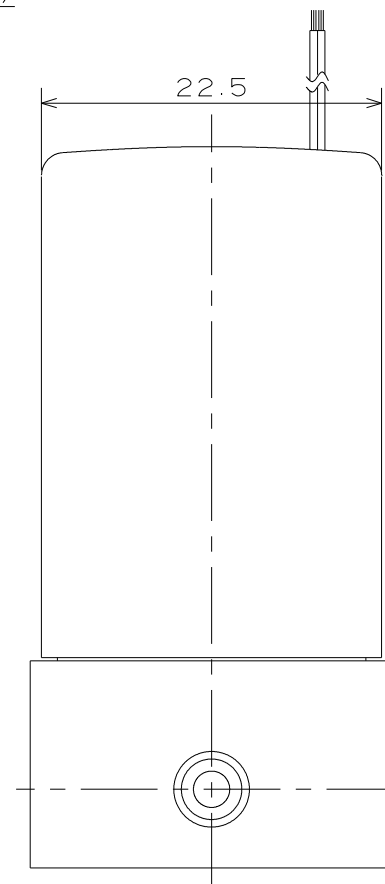
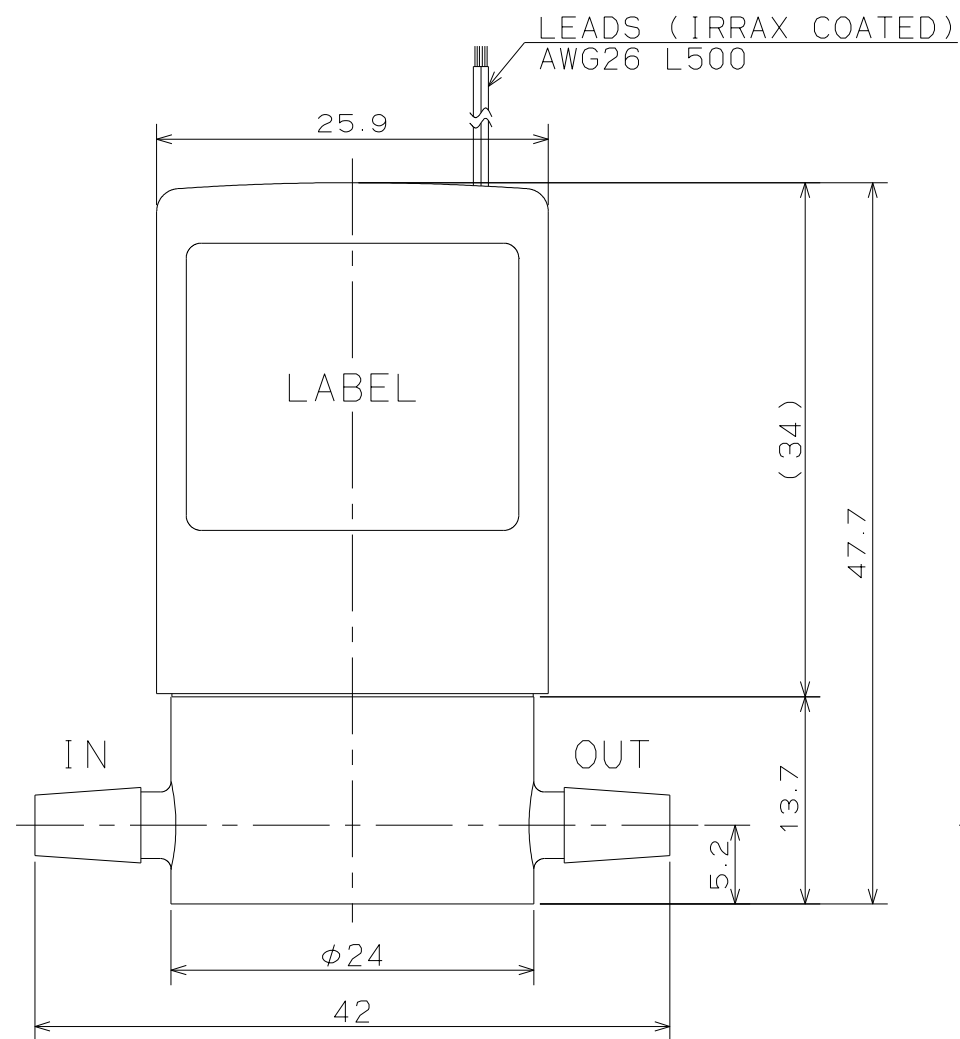
SOLENOID VALVE

SPECIFICATIONS for MODEL WTA-2R(K)-N4F(G)

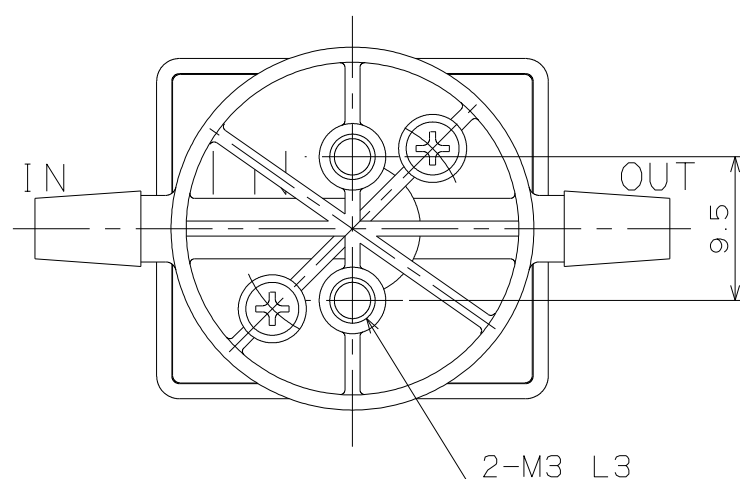
- ORIFICE DIAMETER : 2mm
- PORT CONNECTION : HOSE BARB
- OPERATING PRESSURE RANGE : IN -90 ~ 200kPa
{-675mmHg ~ 2bar}
- OUT 0 ~ 100kPa
{0 ~ 1bar}
- FLUID MEDIA : FLUIDS CHEMICALLY COMPATIBLE WITH MATERIALS BELOW
- MEDIA TEMPERATURE RANGE : 5 ~ 50°C
- AMBIENT TEMPERATURE RANGE : 5 ~ 50°C
- RATED VOLTAGE : 12VDC, 24VDC
- POWER CONSUMPTION : 2.8W
- DUTY CYCLE : CONTINUOUS
- COIL TEMPERATURE INCREASE : MAX. 65°C FROM ROOM TEMPERATURE
- INSULATION CLASS : CLASS E
- DIELECTRIC STRENGTH : 1000VAC FOR 60s

NOTE

MODEL NUMBER	SOFT SEAL MATERIAL	VALVE BODY MATERIAL
WTA-2R-N4F	FPM	PPS
WTA-2R-N4G	DAIEL PERFLUOR	PPS
WTA-2K-N4F	FPM	PEEK
WTA-2K-N4G	DAIEL PERFLUOR	PEEK



HOSE BARB DETAILS
SCALE: 3/1



WETTED MATERIALS

PART NAME	MATERIAL	REQD.	NOTE
DIAPHRAGM	PTFE	1	
SOFT SEAL	FPM/DAIEL PERFLUOR	1	
VALVE BODY	PPS/PEEK	1	
SOLENOID VALVE WTA-2R(K)-N4F(G)			