

Ref. : VG 6400-08.pas

Rev. : L

Date : 02/11/2015

Page : 1/1

# KNIFE GATE VALVE WITH GEAR BOX VG 6400-08



## APPLICATION

General use : Pulp production, water, water treatment, waste water, chemical industry (powdery or crystallizing products), wine-producing, pulverized products (cement work, pneumatic transport, stocking).

## GENERAL CHARACTERISTICS

Function ON/OFF or regulation.  
Wafer threaded mounting ISO PN10.  
Unidirectional tightness, direction indication thanks to the arrow on the body.  
Small retention zone: the gate is guided in the body and has little clearance.  
Gland assembly: packing and O-ring (same material as seat joint) to assure the elasticity and decrease the operating torque.  
Small head loss.  
Possibility to regulate thick fluids with the adaptation of a diaphragm ring .

## CONSTRUCTION

15	1	Support ring	Stainless steel 316	DIN : X5CrNiMo18 10 ASTM : A 182 AISI 316 BS : 316 S16
14	1	Handwheel	Cast iron	
13	1	Gear box	Cast iron	
12	1	Protection tube	Steel	
11	1	Cap	Plastic	
10	1	Gasket	EPDM	
9	1	O-ring	EPDM	
8	1	Packing gland	Stainless steel	
7	1	Support	Stainless steel	
6	1	Nut support	Zinc steel	
5*	2	Support plate	Steel + epoxy	
4	1	Stem	Stainless steel 13%Cr	
3	1	Knife gate	Stainless steel X5 Cr Ni Mo 17-12-2	DIN : X5CrNiMo18 10 ASTM : A 182 AISI 316 BS : 316 S16
2	2	Packing	PTFE	
1	1	Body	Stainless steel GX5 Cr Ni Mo 19-11-2	DIN : G-X6CrNiMo18 10 ASTM : A 351 Grade CF8M BS : 316 C16
Pos.	Qty.	Description	Material	

\*Pre-shaped parts up to ND 300.  
\*\* Missing parts on metal-metal tightness.

## DIMENSIONS

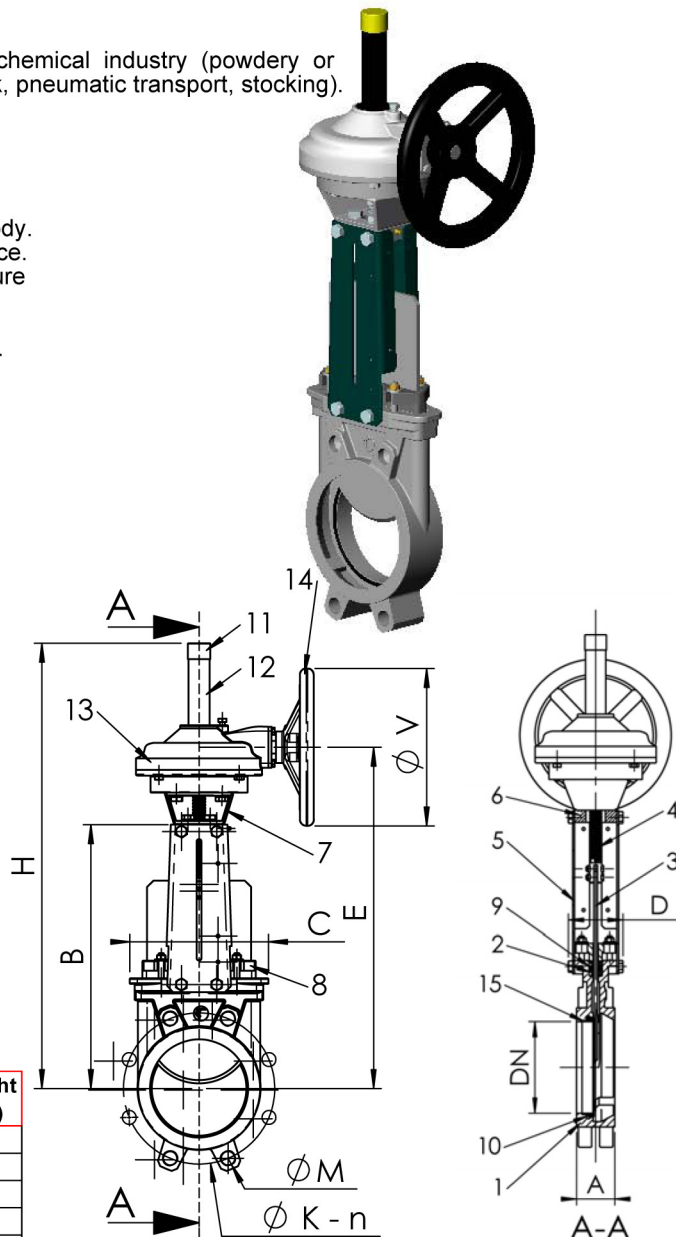
DN		A	B	C	D	E	ØV	H	ØK	n	ØM	Weight (Kg)
mm	inch											
200	8"	60	533	275	108	659	300	941	295	8	4-M20	50
250	10"	70	625	326	108	751	300	1078	350	12	8-M20	64
300	12"	70	732	380	108	858	300	1250	400	12	8-M20	75
350	14"	96	835	438	290	961	400	1403	460	16	10-M20	127
400	16"	100	945	494	290	1073	400	1594	515	16	10-M24	159
450	18"	106	1040	547	290	1168	400	1708	565	20	14-M24	198
500	20"	110	1150	613	290	1278	400	1930	620	20	14-M24	233
600	24"	110	1354	716	290	1482	400	2182	725	20	14-M27	277

## WORKING CONDITIONS

Maximum working pressure : DN 200-250 : 10 bar  
 DN 300-450 : 7 bar  
 DN 500-600 : 4 bar

Maximum temperature : -10°C / +130°C (standard tightness)

Others materials on request (if marked)	Maximum temperature	
Metal / metal	T max : -10°C / +130°C.	<input type="checkbox"/>
NBR	T max : -10°C / +80°C.	<input type="checkbox"/>
White EPDM	T max : -10°C / +130°C.	<input type="checkbox"/>
Silicone	T max : -10°C / +170°C.	<input type="checkbox"/>
FPM (Type Viton®)	T max : -10°C / +170°C.	<input type="checkbox"/>
PTFE	T max : +4°C / +170°C.	<input type="checkbox"/>
CSM (Type Hypalon®)	T max : +4°C / +80°C.	<input type="checkbox"/>



Standard tightness



Metal/metal tightness

## STANDARDS

Manufacture according to the requirements of the European directive 2014/68/UE «Equipments under pressure» : modulate H. Test procedures are established according to standard EN 12266-1, DIN 3230, BS 5154 and ISO 5208. Connections according to standard EN 1092-2 and DIN 2501 : ISO PN10.

TECOFI France - 83, Rue Marcel Mérieux 69960 Corbas - FRANCE  
 Tél. +33 (0) 4 72 79 05 79 - Fax +33 (0) 4 78 90 19 19 / +33 (0) 4 72 79 05 70  
 Adresses e-mail : sales@tecofi.fr ; tecofi@tecofi.fr / Site web : www.tecofi.fr