

Ref. : VG 6400-07.pas

Rev. : Initial

Date : 03/10/2016

Page : 1/1

# KNIFE GATE VALVE WITH SINGLE ACTING PNEUMATIC ACTUATOR

## VG 6400-07



**Tecofi**  
VALVE DESIGNER - FRANCE



### APPLICATION

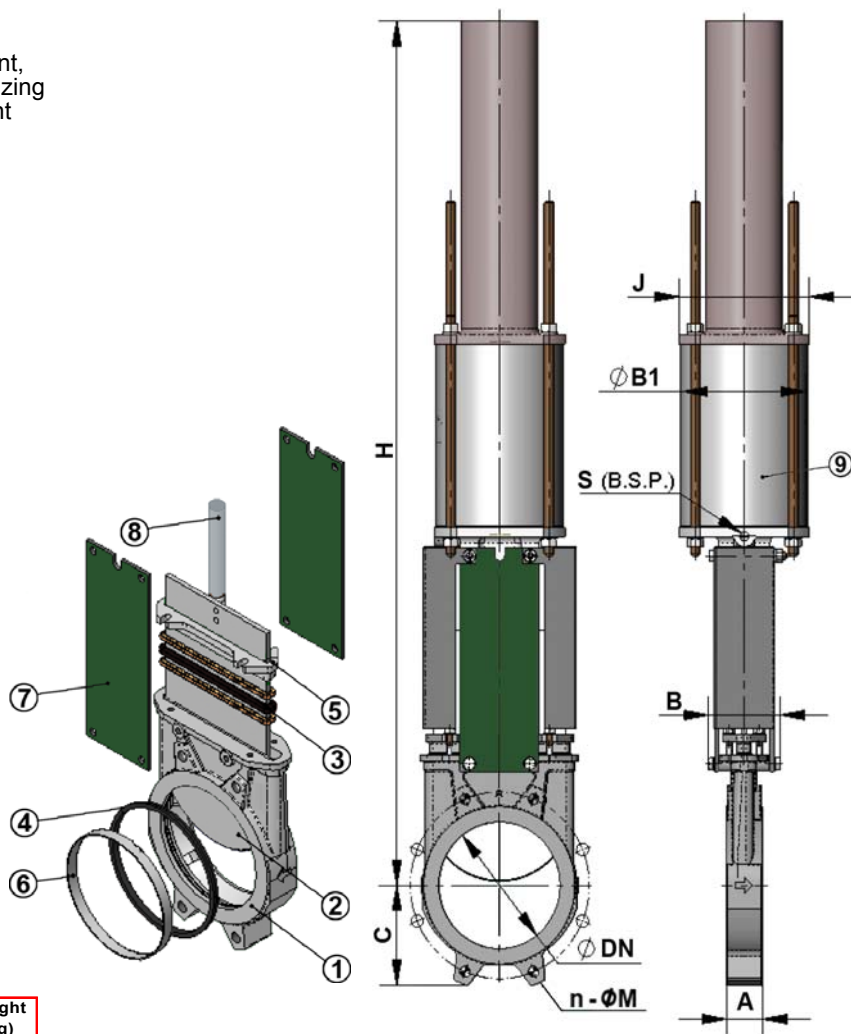
General use : Pulp production, water, water treatment, waste water, chemical industry (powdery or crystallizing products), wine-producing, pulverized products (cement work, pneumatic transport, stocking).

### GENERAL CHARACTERISTICS

Function ON/OFF or regulation.  
Wafer threaded mounting ISO PN10.  
Unidirectional tightness, direction indication thanks to the arrow on the body. Small retention zone: the gate is guided in the body and has little clearance. Small head loss. Possibility to regulate thick fluids the adaptation of a diaphragm ring .

### CONSTRUCTION

9	Pneumatic actuator	
8	Stem	Stainless steel AISI 303
7	Support plate	Steel S275JR
6	Support ring	Stainless steel AISI 316
5	Packing gland	Stainless steel CF8M
4	Gasket	EPDM
3	Packing	Synt + PTFE
2	Gate	Stainless steel AISI 316
1	Body	Stainless steel CF8M
<b>Pos.</b>	<b>Description</b>	<b>Material</b>



### DIMENSIONS

DN		A	B	C	B1	J	S (BSP)	H	n-Ø M	Weight (kg)
mm	inch									
50	2"	40	92	63	125	135	1/4"	781	4-M16	19
65	2 1/2"	40	92	70	125	135	1/4"	806	4-M16	22
80	3"	50	92	92	125	135	1/4"	833	4-M16	23
100	4"	50	92	105	125	135	1/4"	873	4-M16	24
125	5"	50	102	120	160	170	1/4"	909	4-M16	35
150	6"	60	102	130	160	170	1/4"	960	4-M20	36
200	8"	60	119	160	200	215	3/8"	1355	4-M20	66
250	10"	70	119	198	250	270	3/8"	1844	8-M20	130
300	12"	70	119	234	250	270	3/8"	2005	8-M20	143

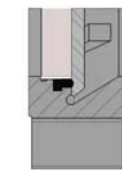
### WORKING CONDITIONS

Maximum working pressure : DN 50-150 : 10 bar  
 DN 200 : 8 bar  
 DN 250-300 : 6 bar

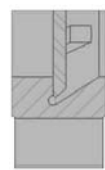
Working temperature : -10°C / +130°C

Others materials on request (if marked)	Maximum temperature	
Metal / metal	T max : -10°C / +80°C.	<input type="checkbox"/>
NBR	T max : -10°C / +80°C.	<input type="checkbox"/>
White EPDM	T max : -10°C / +130°C.	<input type="checkbox"/>
Silicone	T max : -10°C / +170°C.	<input type="checkbox"/>
FPM (Type Viton®)	T max : -10°C / +170°C.	<input type="checkbox"/>
PTFE***	T max : +4°C / +170°C.	<input type="checkbox"/>
CSM (Type Hypalon®)	T max : +4°C / +80°C.	<input type="checkbox"/>

\*\*\* Minimum working pressure : 1 bar



Standard tightness



Metal/metal tightness

### STANDARDS

Manufacture according to the requirements of the European directive 2014/68/UE «Equipments under pressure» : modulate H.  
 On request : Product in accordance to european directive "Potentially explosive atmospheres" N° 94/9/EC : ATEX II 2 GD c and ATEX II 3 GD c.  
 Test procedures are established according to standard EN 12266-1, DIN 3230, BS 5154 and ISO 5208.  
 Connections according to standard EN 1092-2 and DIN 2501 : ISO PN10.

**TECOFI France** - 83, Rue Marcel Mérieux 69960 Corbas - FRANCE  
 Tél. +33 (0) 4 72 79 05 79 - Fax +33 (0) 4 78 90 19 19 / +33 (0) 4 72 79 05 70  
 Adresses e-mail : sales@tecofi.fr ; tecofi@tecofi.fr / Site web : www.tecofi.fr