

# s.128

## 1/4" - 4" Y Strainer



### Features and Specifications:

- Suitable for industrial, pneumatic and hydraulic installations
- Hot forged CW617N brass body
- Approved by GOST-R (RU), Hygenic (RU), ROSTEKHNADZOR (RU)
- Range: -20°C +110°C temperature in absence of steam
- Degree of filtration: 1/4" through 2" 500µm, 2.1/2", 3", 4" 800µm,
- ISO 228/1 Female by Female parallel threads and inspection plug
- Stainless steel AISI 304 filter

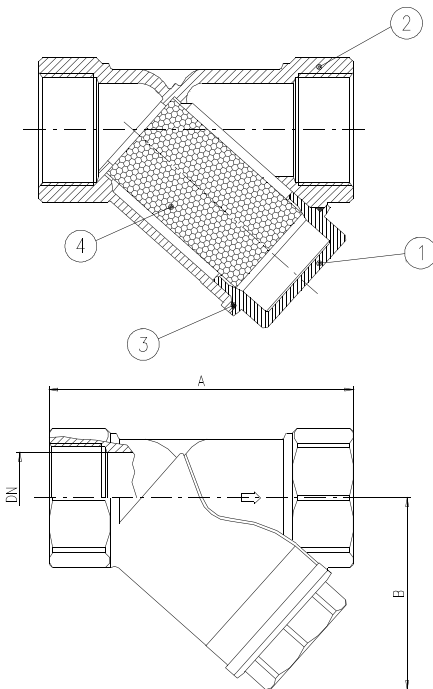


### Approved By:



The product described in this standard meets the requirements of EN 10206-1 and according to art. 3 par. 3, it does not require CE marking; it cannot be used with dangerous gases in sizes larger than 25mm.

NOTE: Approvals apply to specific configurations only.



PART DESCRIPTION		Material	Q.ty
1	End adapter	CW617N	1
2	Body	CW617N	1
3	O-Ring	NBR	1
4	Stainless steel strainer	AISI 304	1

Code	128B00	128C00	128D00	128E00	128F00	128G00	128H00	128I00	128L00	128M00	128N00
D (inch)	1/4	3/8	1/2	3/4	1	1 1/4	1 1/2	2	2 1/2	3	4
A (mm)	55	55	58	70	87	96	106	126	150	169	219
B (mm)	40	40	40	48	56	64	73	89	107	120	161
DN	8	10	15	20	25	32	40	50	65	80	100
PN (Kg/cm <sup>2</sup> )	20	20	20	20	20	20	20	20	16	16	16

Ask for additional information on the whole range of RuB valves and consult with your supplier for special applications.

**RUB RUBINETTERIE UTENSILERIE BONOMI**

Via Padana Superiore 27/29 25080 Ciliverghe di Mazzano (Bs) Italy  
 Ph: +39 030 212441 - Fax: +39 030 2629498  
 sales@rubvalves.com - www.rubvalves.com

