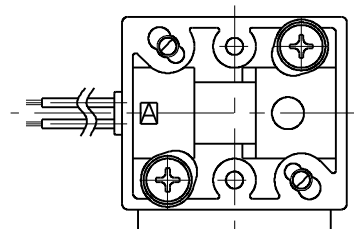
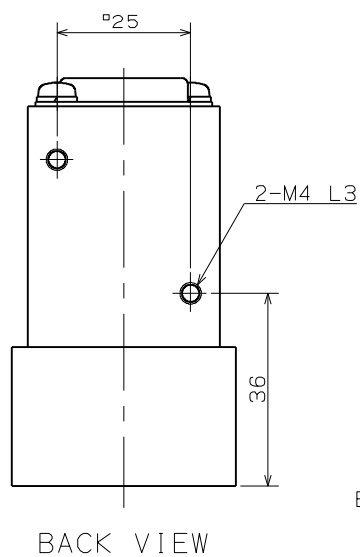
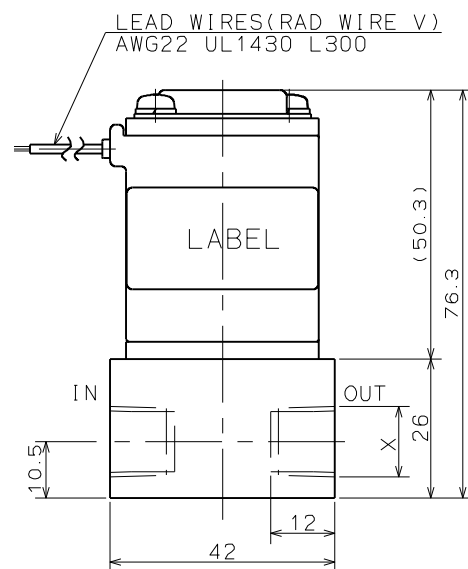
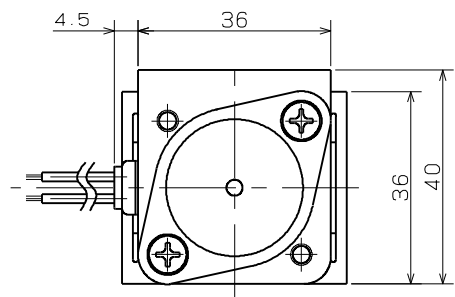


FOR REFERENCE ONLY

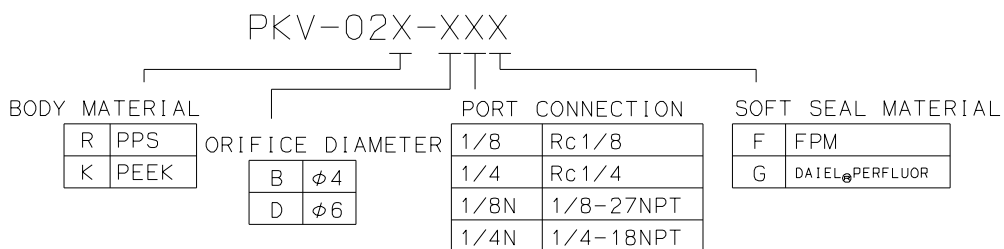
SOLENOID VALVE

SPECIFICATIONS for MODEL PKV-02X-XXX
(PLEASE SEE PART NUMBER BELOW)

- ORIFICE DIAMETER : 4mm, 6mm
- PORT CONNECTION : Rc1/8, Rc1/4, 1/8-27NPT, 1/4-18NPT
- OPERATING PRESSURE RANGE : IN -90 ~ 200kPa
{ -675mmHg ~ 2.0bar }
- OUT 0 ~ 50kPa
{ 0 ~ 0.5bar }
- FLUID MEDIA : FLUIDS CHEMICALLY COMPATIBLE WITH MATERIALS BELOW
- MEDIA TEMPERATURE RANGE : 0 ~ 60°C (DAI_{TEL}PERFLUOR : 5 ~ 60°C)
- AMBIENT TEMPERATURE RANGE : 0 ~ 60°C (DAI_{TEL}PERFLUOR : 5 ~ 60°C)
- RATED VOLTAGE : 12VDC, 24VDC, 90VDC, 100VAC (SILICON RECTIFIER ATTACHED)
- POWER CONSUMPTION : 6W
- DUTY CYCLE : CONTINUOUS
- COIL TEMPERATURE INCREASE : MAX. 55°C FROM ROOM TEMPERATURE
- INSULATION CLASS : CLASS B
- DIELECTRIC STRENGTH : 1500VAC FOR 60s
- PART NUMBER



X
Rc1/8
Rc1/4
1/8-27NPT
1/4-18NPT



WETTED MATERIALS

DIAPHRAGM	PTFE	1	
SOFT SEAL	FPM/DAI _{TEL} PERFLUOR	1	
VALVE BODY	PPS/PEEK	1	
PART NAME	MATERIAL	REQD.	NOTE
SOLENOID VALVE			
PKV-02X-XXX			