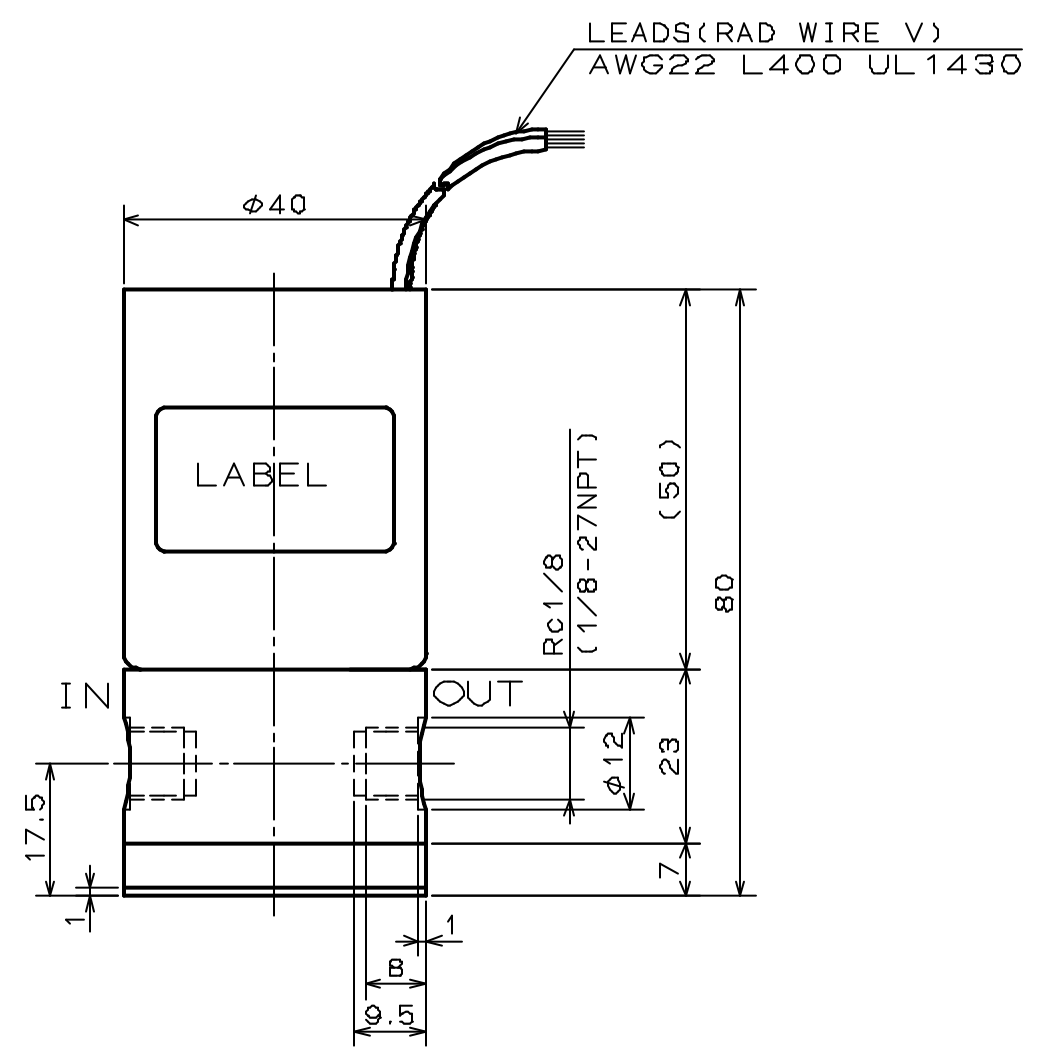


FOR REFERENCE
ONLY

SOLENOID VALVE

SPECIFICATIONS for MODEL NRV-4C1(N)



- ORIFICE DIAMETER : 4mm
- PORT CONNECTION : Rc1/8 (1/8-27NPT)
- OPERATING PRESSURE RANGE : IN -90 ~ 200kPa
 { -675mmHg ~ 2.0bar }
 OUT 0 ~ 50kPa
 { 0 ~ 0.5bar }
- FLUID MEDIA : FLUIDS CHEMICALLY COMPATIBLE
 WITH MATERIALS BELOW
- MEDIA TEMPERATURE RANGE : 0 ~ 60°C
- AMBIENT TEMPERATURE RANGE : 0 ~ 60°C
- RATED VOLTAGE : 12VDC, 24VDC, 90VDC
 100VAC (SILICON RECTIFIER ATTACHED)
- POWER CONSUMPTION : 5.5W
- DUTY CYCLE : CONTINUOUS
- COIL TEMPERATURE INCREASE : MAX. 60°C FROM ROOM TEMPERATURE
- INSULATION CLASS : CLASS E
- DIELECTRIC STRENGTH : 1500VAC FOR 60s
- MODEL NUMBERS

MODEL NUMBER	PORT CONNECTION
NRV-4C1	Rc1/8
NRV-4C1N	1/8-27NPT

WETTED MATERIALS			
PART NAME	MATERIAL	REQD.	NOTE
DIAPHRAGM	PTFE	1	
VALVE BODY	PTFE	1	
SOLENOID VALVE			
NRV-4C1(N)			