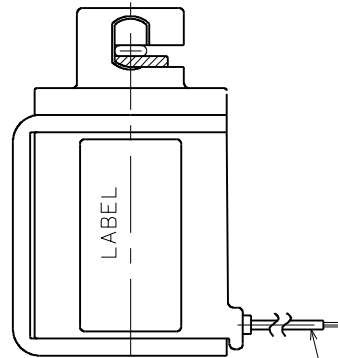
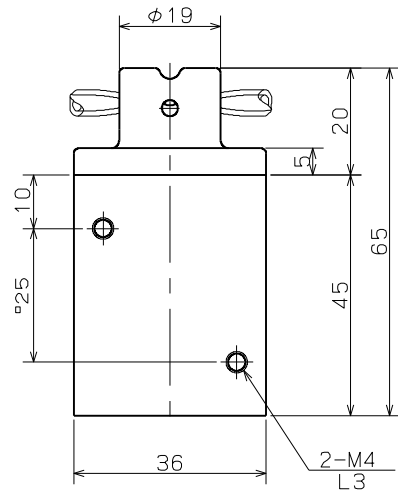


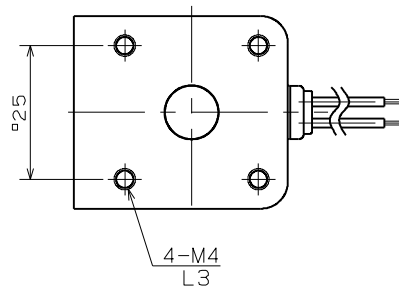
PINCH VALVE

SPECIFICATIONS for MODEL NP-0205-NC

- TUBE DIAMETER : I.D. 2mm O.D. 4mm
- TUBE MATERIAL : PharMed[®]
- OPERATING PRESSURE RANGE : 0 ~ 50kPa
(0 ~ 0.5bar)
- AMBIENT TEMPERATURE RANGE: 0 ~ 40°C
- RATED VOLTAGE : 12VDC, 24VDC, 90VDC
100VAC(50/60Hz) SILICON RECTIFIER
ATTACHED
- POWER CONSUMPTION : 10W
- DUTY CYCLE : CONTINUOUS
- COIL TEMPERATURE INCREASE: MAX. 90°C FROM ROOM TEMPERATURE
- INSULATION CLASS : CLASS B
- DIELECTRIC STRENGTH : 1500VAC FOR 60s



LEADS(RAD WIRE V)
AWG22 UL1430 L300



PART NAME	MATERIAL	REQD.	NOTE
PINCH VALVE			
NP-0205-NC			