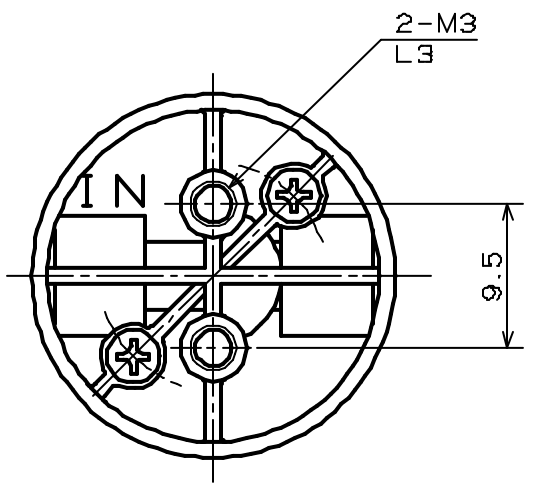
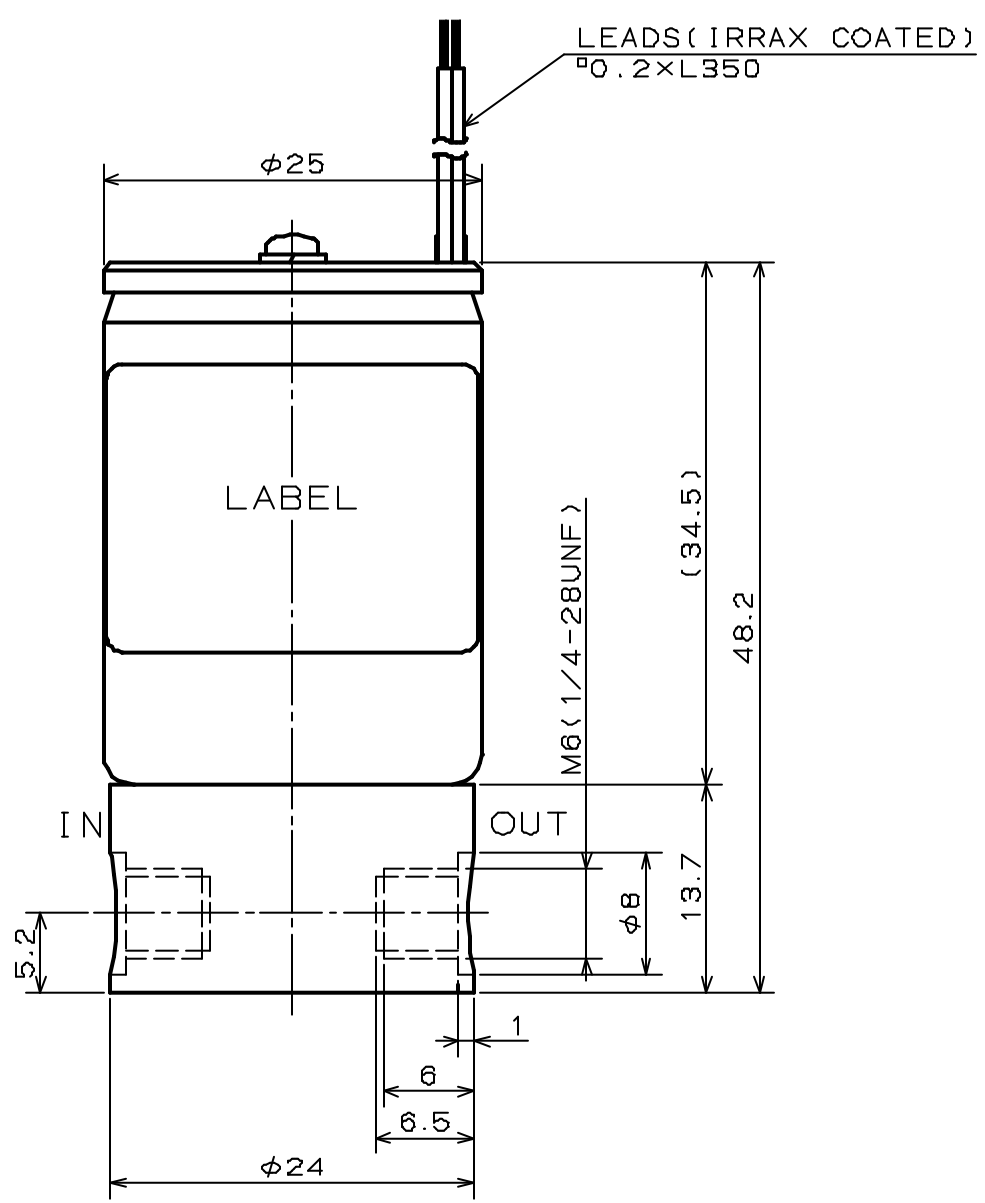


FOR REFERENCE ONLY

## SOLENOID VALVE

### SPECIFICATIONS for MODEL MTV-02K(R)-M6(1/4U)F(G)



- ORIFICE DIAMETER : 2mm
- PORT CONNECTION : M6, 1/4-28UNF
- OPERATING PRESSURE RANGE : IN -90 ~ 200kPa  
{ -675mmHg ~ 2.0bar }
- OUT 0 ~ 100kPa  
{ 0 ~ 1.0bar }
- FLUID MEDIA : FLUIDS CHEMICALLY COMPATIBLE WITH MATERIALS BELOW
- MEDIA TEMPERATURE RANGE : 0 ~ 60°C (IN CASE OF SOFT SEALER MATERIAL IS PERFLUOR. 5 ~ 60°C)
- AMBIENT TEMPERATURE RANGE : 0 ~ 60°C (IN CASE OF SOFT SEALER MATERIAL IS PERFLUOR. 5 ~ 60°C)
- RATED VOLTAGE : 12VDC, 24VDC
- POWER CONSUMPTION : 3W
- DUTY CYCLE : CONTINUOUS
- COIL TEMPERATURE INCREASE : MAX. 60°C FROM ROOM TEMPERATURE
- INSULATION CLASS : CLASS B
- DIELECTRIC STRENGTH : 1500VAC FOR 60s

MODEL NUMBERS

MODEL NUMBER	PORT CONNECTION	SOFT SEALER MATERIAL	BODY MATERIAL
MTV-02R-M6F	M6	FPM	PPS
MTV-02R-1/4UF	1/4-28UNF	FPM	
MTV-02R-M6G	M6	DAIEL <sub>g</sub> PERFLUOR	PEEK
MTV-02R-1/4UG	1/4-28UNF	DAIEL <sub>g</sub> PERFLUOR	
MTV-02K-M6F	M6	FPM	PEEK
MTV-02K-1/4UF	1/4-28UNF	FPM	
MTV-02K-M6G	M6	DAIEL <sub>g</sub> PERFLUOR	
MTV-02K-1/4UG	1/4-28UNF	DAIEL <sub>g</sub> PERFLUOR	

WETTED MATERIALS

PART NAME	MATERIAL	REQD.	NOTE
DIAPHRAGM	PTFE	1	
SOFT SEALER	FPM/DAIEL <sub>g</sub> PERFLUOR	1	
VALVE BODY	PPS/PEEK	1	

SOLENOID VALVE  
MTV-02K(R)-M6(1/4U)F(G)