

FOR REFERENCE
ONLY

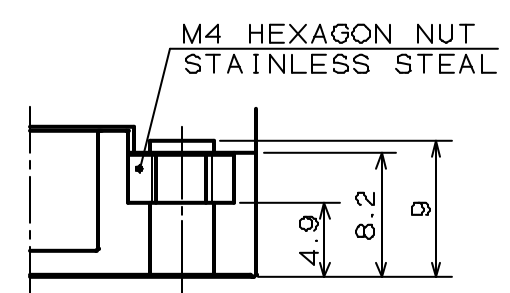
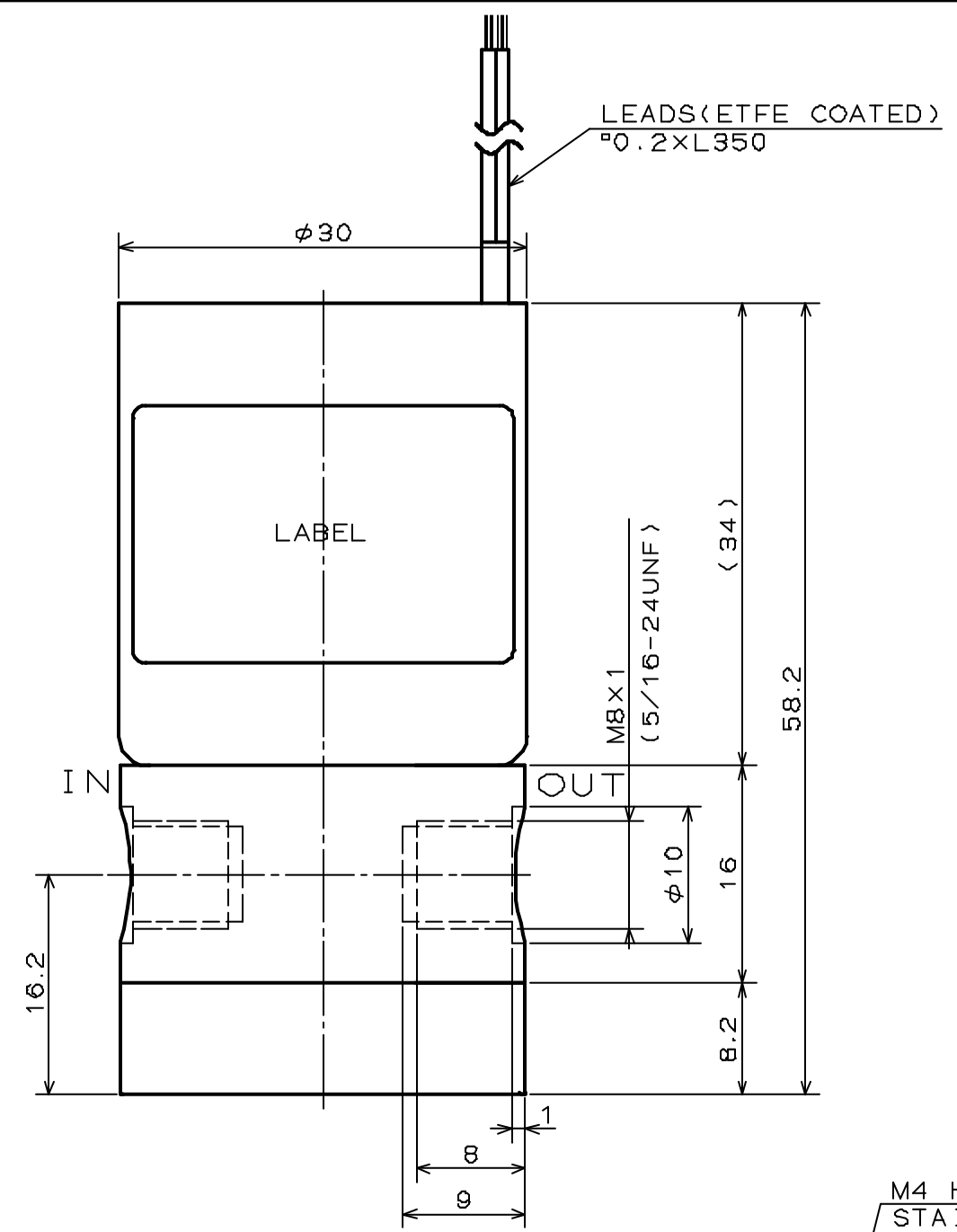
SOLENOID VALVE

SPECIFICATIONS FOR MODEL MLV-2-M8(5/16UF)

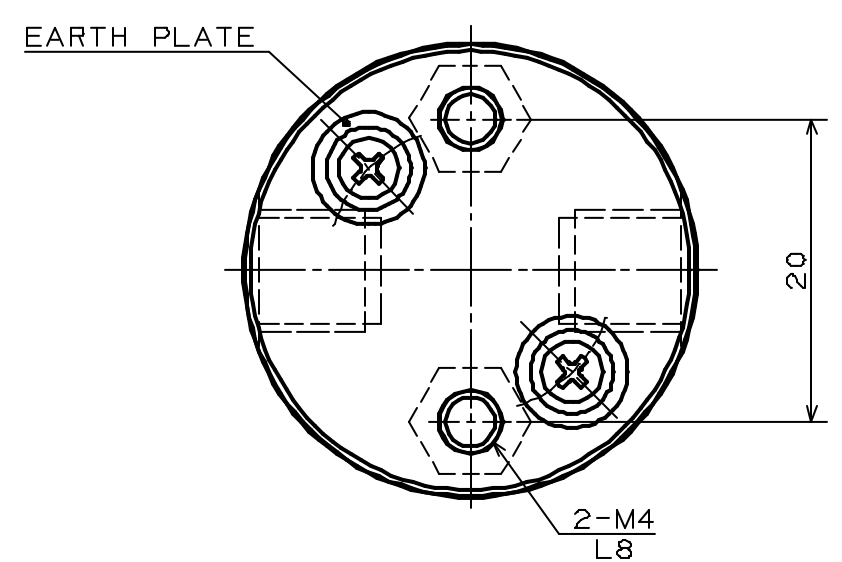
- ORIFICE DIAMETER : 2.5mm
- PORT CONNECTION : M8×1.5/16-24UNF
- OPERATING PRESSURE RANGE : IN -40 ~ 200kPa
{-300mmHg ~ 2.0bar}
- OUT 0 ~ 50kPa
{0 ~ 0.5bar}
- FLOW MEDIA : FLUIDS CHEMICALLY COMPATIBLE
WITH MATERIALS BELOW
- MEDIA TEMPERATURE RANGE : 0 ~ 60℃
- AMBIENT TEMPERATURE RANGE : 0 ~ 60℃
- RATED VOLTAGE : 12VDC, 24VDC, 90VDC,
100VAC(SILICON RECTIFIER ATTACHED)
- POWER CONSUMPTION : 3.1W
- DUTY CYCLE : CONTINUOUS
- COIL TEMPERATURE INCREASE : MAX. 60℃ FROM ROOM TEMPERATURE
- INSULATION CLASS : CLASS B
- DIELECTRIC STRENGTH : 1500VAC FOR 60s

MODEL NUMBERS

MODEL NUMBER	PORT CONNECTION
MLV-2-M8	M8×1
MLV-2-5/16UF	5/16-24UNF



MOUNTING HOLE DETAILS



WETTED MATERIALS

PART NAME	MATERIAL	REQD.	NOTE
DIAPHRAGM	PTFE	1	
VALVE BODY	PTFE/HPVC	1	

SOLENOID VALVE
MLV-2-M8(5/16UF)