

J4M 25 - GENERAL CHARACTERISTICS



| Technical Data | |
|-------------------------------------|--|
| Operation time unload | 9,3 Sec / turn |
| Minimum operational torque | 10 Nm / 88,51 lb/in |
| Maximum operational torque | 30 Nm / 265,52 lb/in |
| Duty rating | 75% |
| Maximum number turns | 13.5 |
| Confirmations | Standard_Analogue: 2 Relays 24VDC 1Amp. (1 Open and 1 Close) / Optional: Digitals (1 Open and 1 Close) |
| Automatic heater | 3,5 W |
| Big Plug | EN 175301-803 FORM A |
| Small Plug | DIN43650/C |
| Interface | App and PC Program |
| Protection IEC 60529 rating | IP67 |
| Temperature | -20°C +70°C / -4°F +158°F |
| ISO 5210 Plate | Standard: F05/F07 |
| DIN 3337 Female output drive | Standard: *17 Optional: *11, *14 mm |
| Weight | 3,8 kg |

Actuator with Bluetooth Configurations:

- 1) On-Off
- 2) Digital positioner (input / output) 4-20mA, 0-20mA, 0-10V or 1-10V

| Electronic Data | |
|---|-----------------------|
| Electronic Torque Limiter function | |
| Electric motor | 24VDC Brushless motor |
| Insulation | Class B |
| (IEC 60034) Service | S4 |

| Voltage VDC/VAC 50/60Hz 0%/5% | |
|-------------------------------|-----------------|
| S25 | 24-240 VDC/VAC |
| B25 | 12 VDC/VAC ONLY |

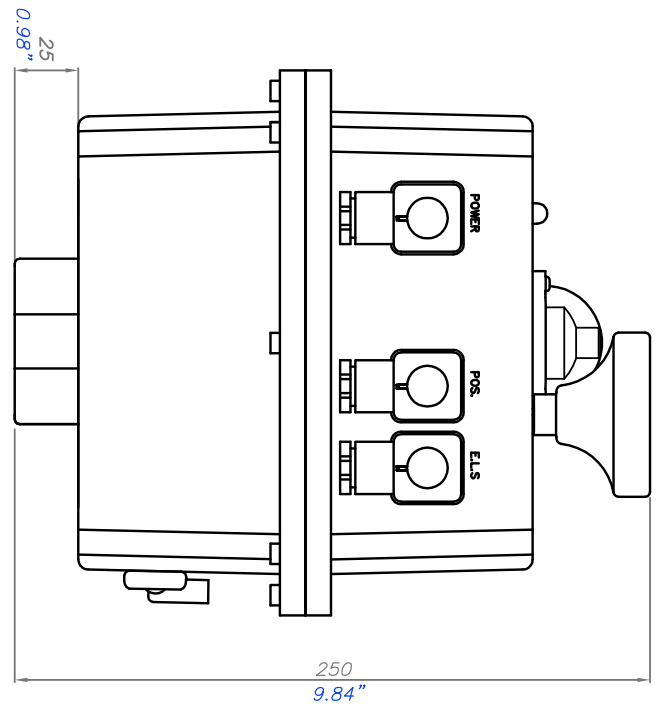
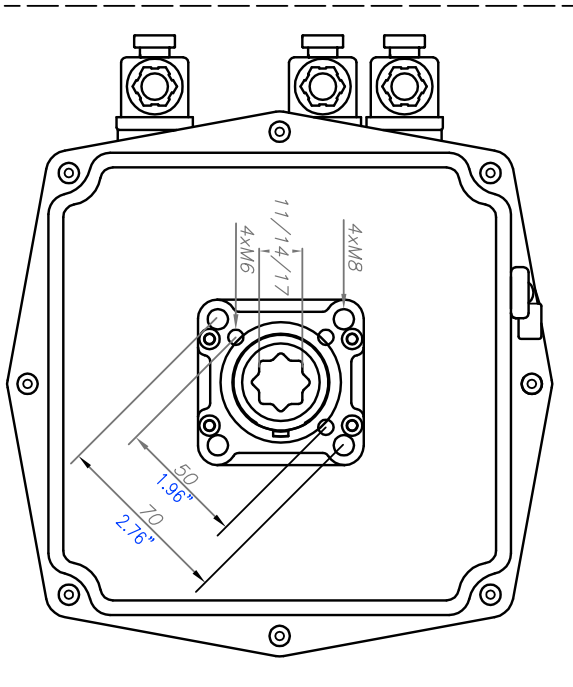
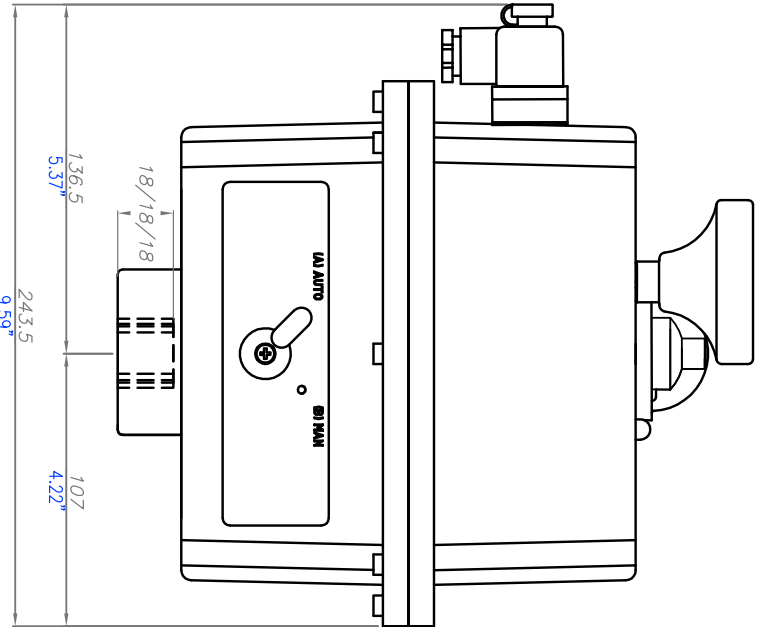
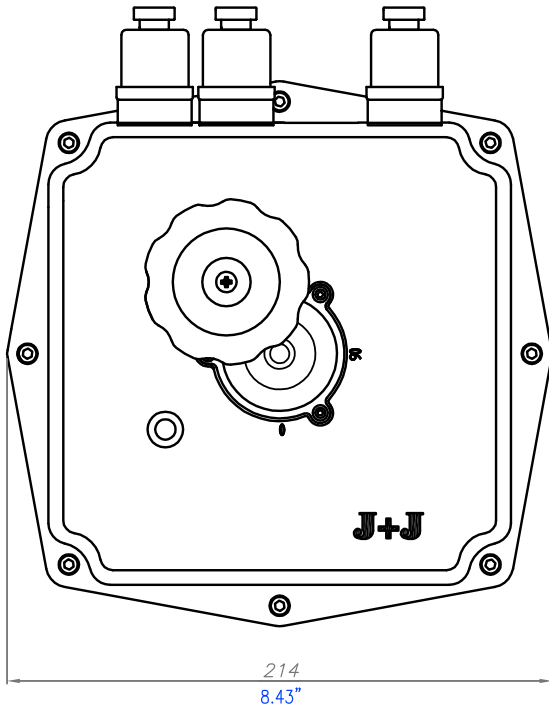
| Materials | Standard | Optional |
|----------------------------------|--------------------------------------|----------------------------------|
| Body | Anticorrosive Polyamide, Grey colour | Polypropilene V0, Black colour |
| Cover | Anticorrosive Polyamide, Red colour | Polypropilene V0, Natural colour |
| Output drive | Zamak, Zinc plated | Zamak, TEFLON coated |
| Flange | Aluminium and Cataphoresis | Aluminium and TEFLON coated |
| Main external shaft | Stainless Steel | - |
| External screws | Stainless Steel | - |
| Gears | Steel and Polyamide | - |
| Visual position indicator | Polyamide | - |
| Dome | Polycarbonate | - |

Manufacturer option

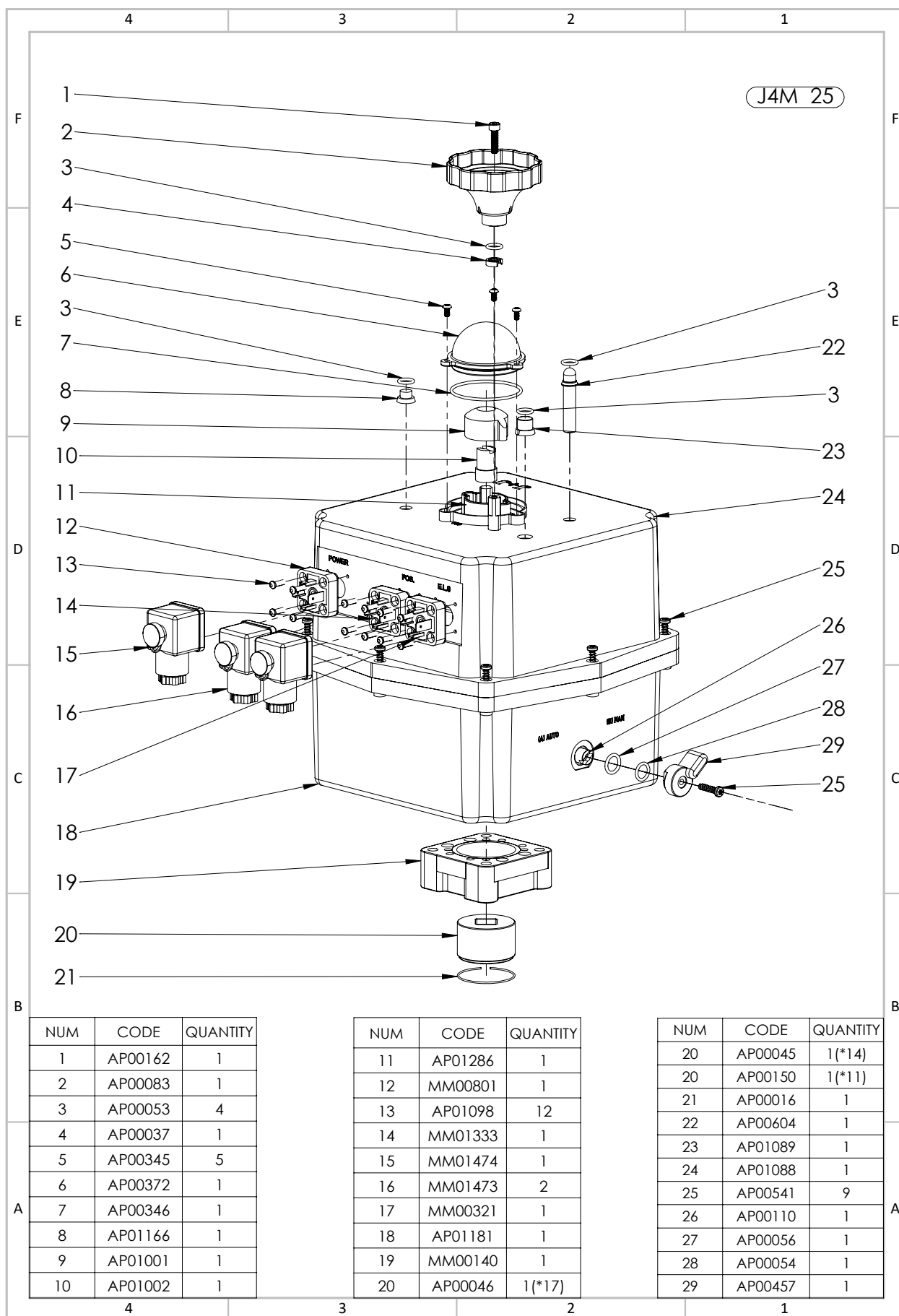


Note: Technical data are the same despite the different casings.

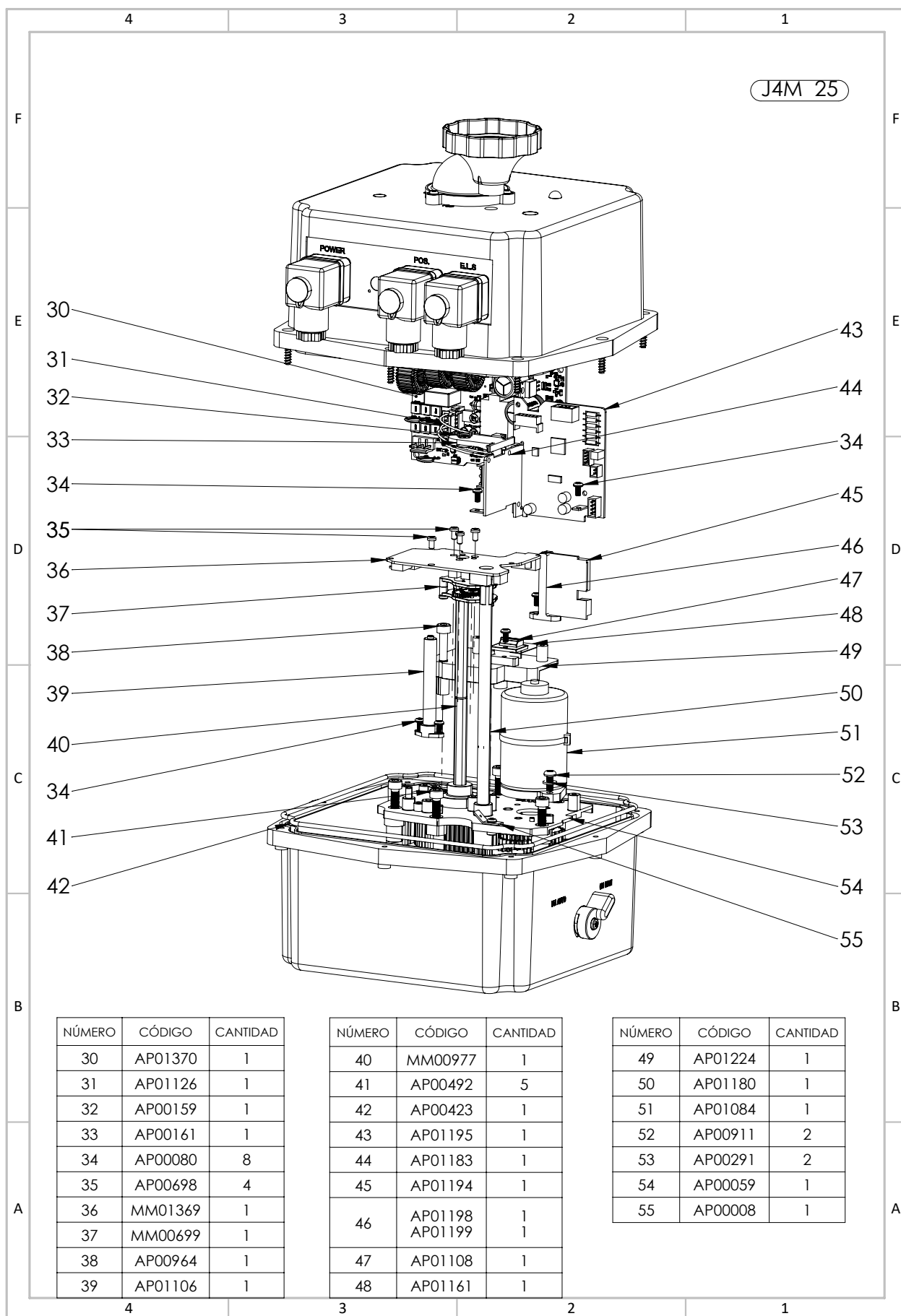
J4M 25 SIZES



EXPLODED VIEW



EXPLODED VIEW

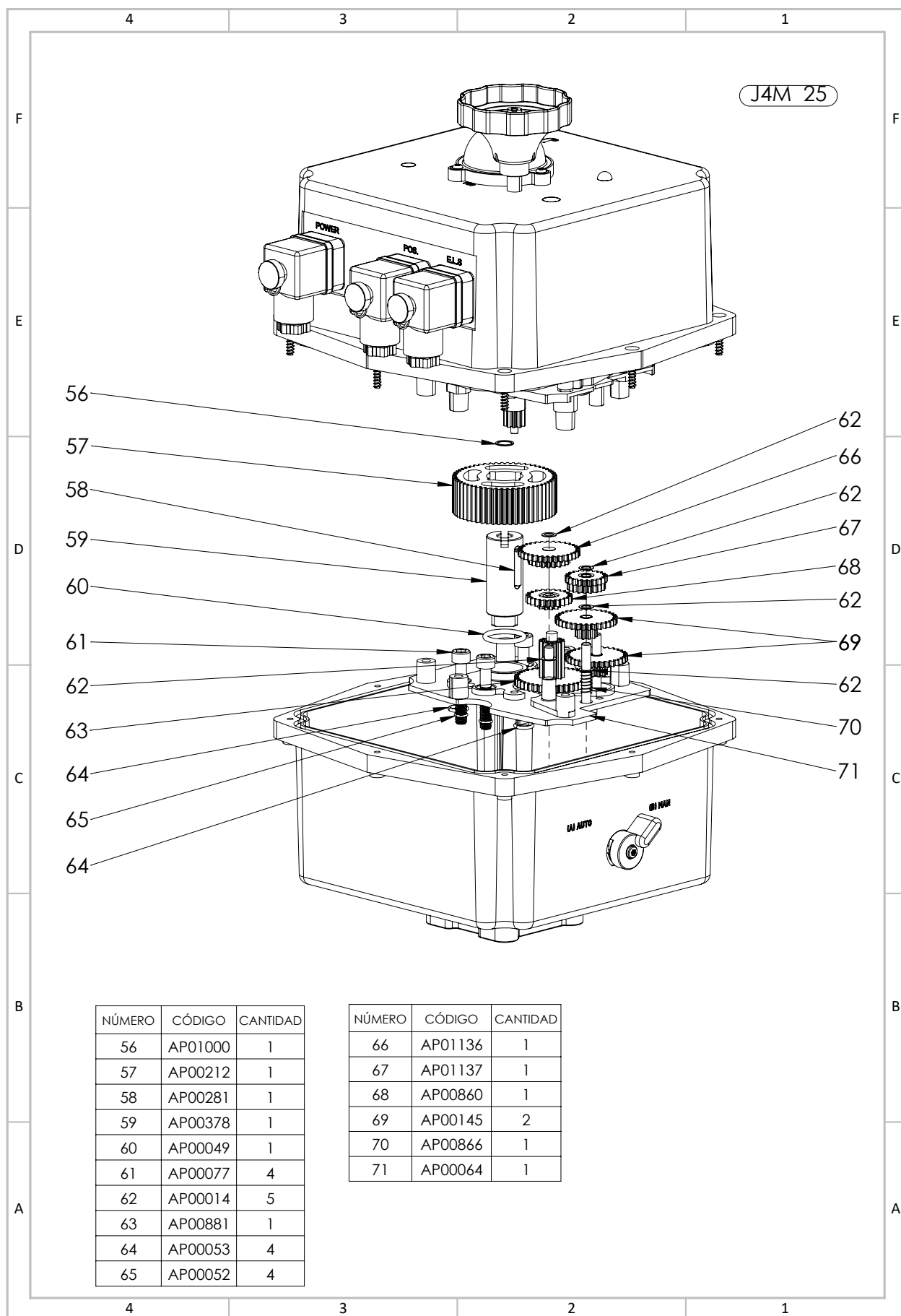


| NÚMERO | CÓDIGO | CANTIDAD |
|--------|---------|----------|
| 30 | AP01370 | 1 |
| 31 | AP01126 | 1 |
| 32 | AP00159 | 1 |
| 33 | AP00161 | 1 |
| 34 | AP00080 | 8 |
| 35 | AP00698 | 4 |
| 36 | MM01369 | 1 |
| 37 | MM00699 | 1 |
| 38 | AP00964 | 1 |
| 39 | AP01106 | 1 |

| NÚMERO | CÓDIGO | CANTIDAD |
|--------|---------|----------|
| 40 | MM00977 | 1 |
| 41 | AP00492 | 5 |
| 42 | AP00423 | 1 |
| 43 | AP01195 | 1 |
| 44 | AP01183 | 1 |
| 45 | AP01194 | 1 |
| 46 | AP01198 | 1 |
| | AP01199 | 1 |
| 47 | AP01108 | 1 |
| 48 | AP01161 | 1 |

| NÚMERO | CÓDIGO | CANTIDAD |
|--------|---------|----------|
| 49 | AP01224 | 1 |
| 50 | AP01180 | 1 |
| 51 | AP01084 | 1 |
| 52 | AP00911 | 2 |
| 53 | AP00291 | 2 |
| 54 | AP00059 | 1 |
| 55 | AP00008 | 1 |

EXPLODED VIEW



| NÚMERO | CÓDIGO | CANTIDAD |
|--------|---------|----------|
| 56 | AP01000 | 1 |
| 57 | AP00212 | 1 |
| 58 | AP00281 | 1 |
| 59 | AP00378 | 1 |
| 60 | AP00049 | 1 |
| 61 | AP00077 | 4 |
| 62 | AP00014 | 5 |
| 63 | AP00881 | 1 |
| 64 | AP00053 | 4 |
| 65 | AP00052 | 4 |

| NÚMERO | CÓDIGO | CANTIDAD |
|--------|---------|----------|
| 66 | AP01136 | 1 |
| 67 | AP01137 | 1 |
| 68 | AP00860 | 1 |
| 69 | AP00145 | 2 |
| 70 | AP00866 | 1 |
| 71 | AP00064 | 1 |