

J4C 300 - GENERAL CHARACTERISTICS



Technical Data	
Operation time unload	58 Sec. /90°
Maximum torque break	350 Nm / 3097,5 lb/in
Maximum operational torque	300 Nm / 2655 lb/in
Duty rating	75%
Max. Working angle	0° to 270°
Limit switch	4 SPST NO micro (2 motor stop and 2 confirmations)
Automatic heater	3,5 W
Grey Plug	EN 175301-803 FORM A
Black Plug	DIN43650/C
Protection IEC 60529 rating	IP67
Temperature	-20°C +70°C / -4°F +158°F
ISO 5211 Plate	Standard: F07/F10 Optional: F12
DIN 3337 Female output drive	Standard: *22 Optional: *17mm
Weight	4,72 kg

Electronic Data

Electronic Torque Limiter function

Electric motor 24VDC Brushless motor

Aislamiento Class B

(IEC 60034) S4

Voltage VDC/VAC 50/60Hz-0/+5%

S300 24-240 VDC/VAC

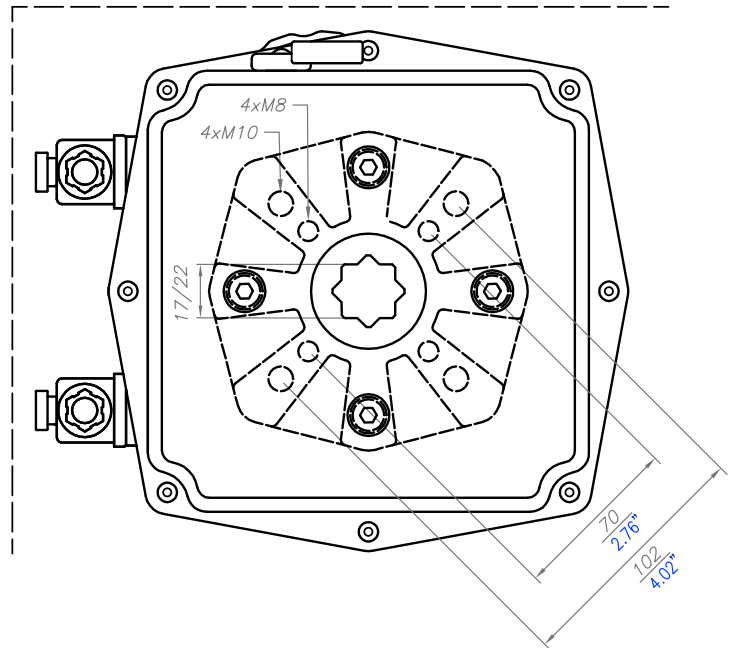
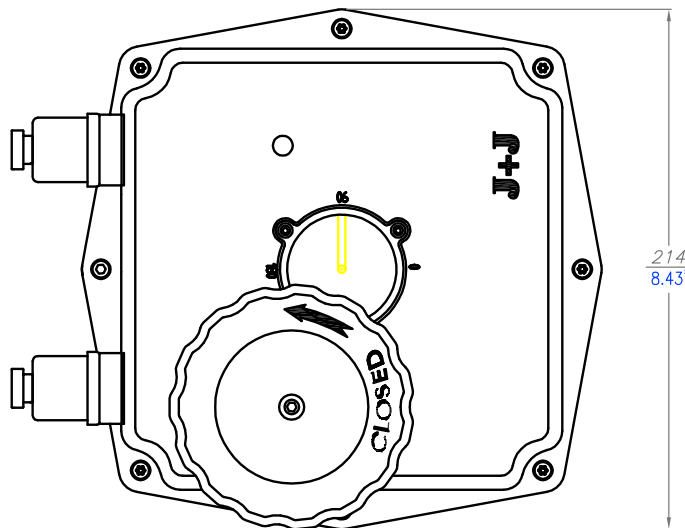
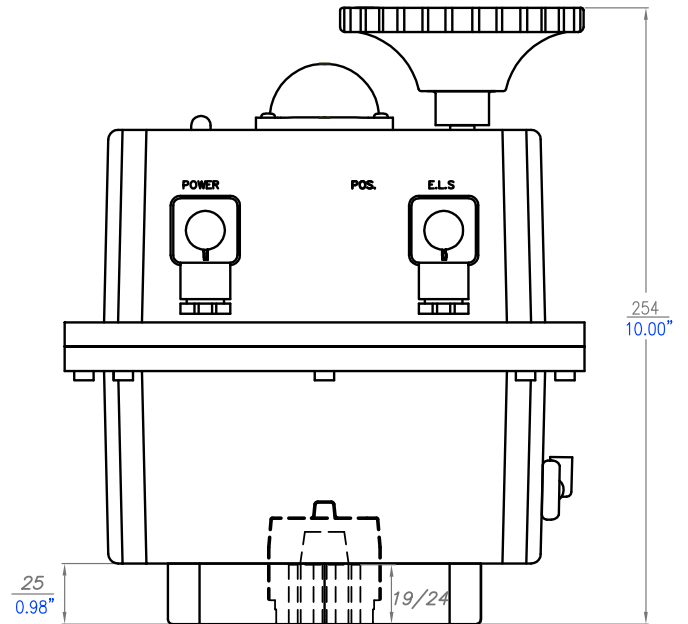
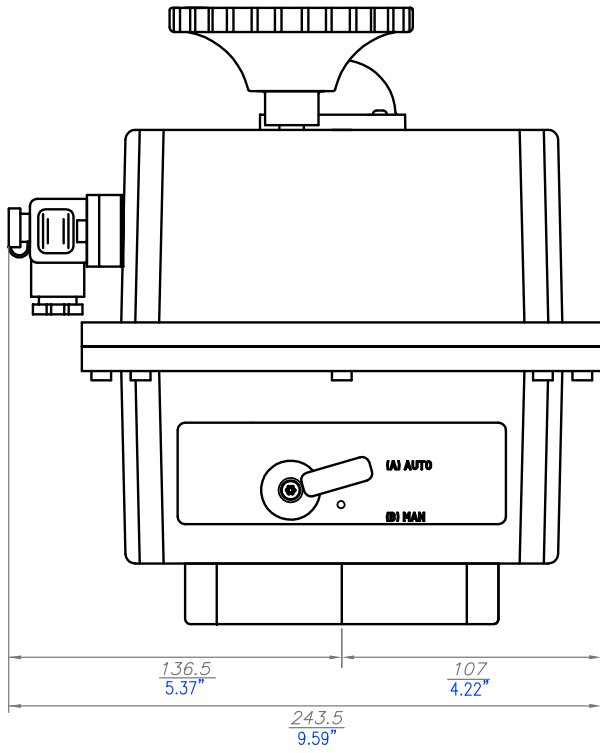
B300 12 VDC/VAC ONLY

Options	
J4C140/300 DPS KIT digital positioner	4-20mA, 0-20mA, 0-10V or 1-10V
J4C 140/300 KIT BSR emergency fail safe kit system by battery	NC - NO
Potentiometer	1K, 5K or 10K
3 position actuator	0°-45°-90° or 0°-90°-180°

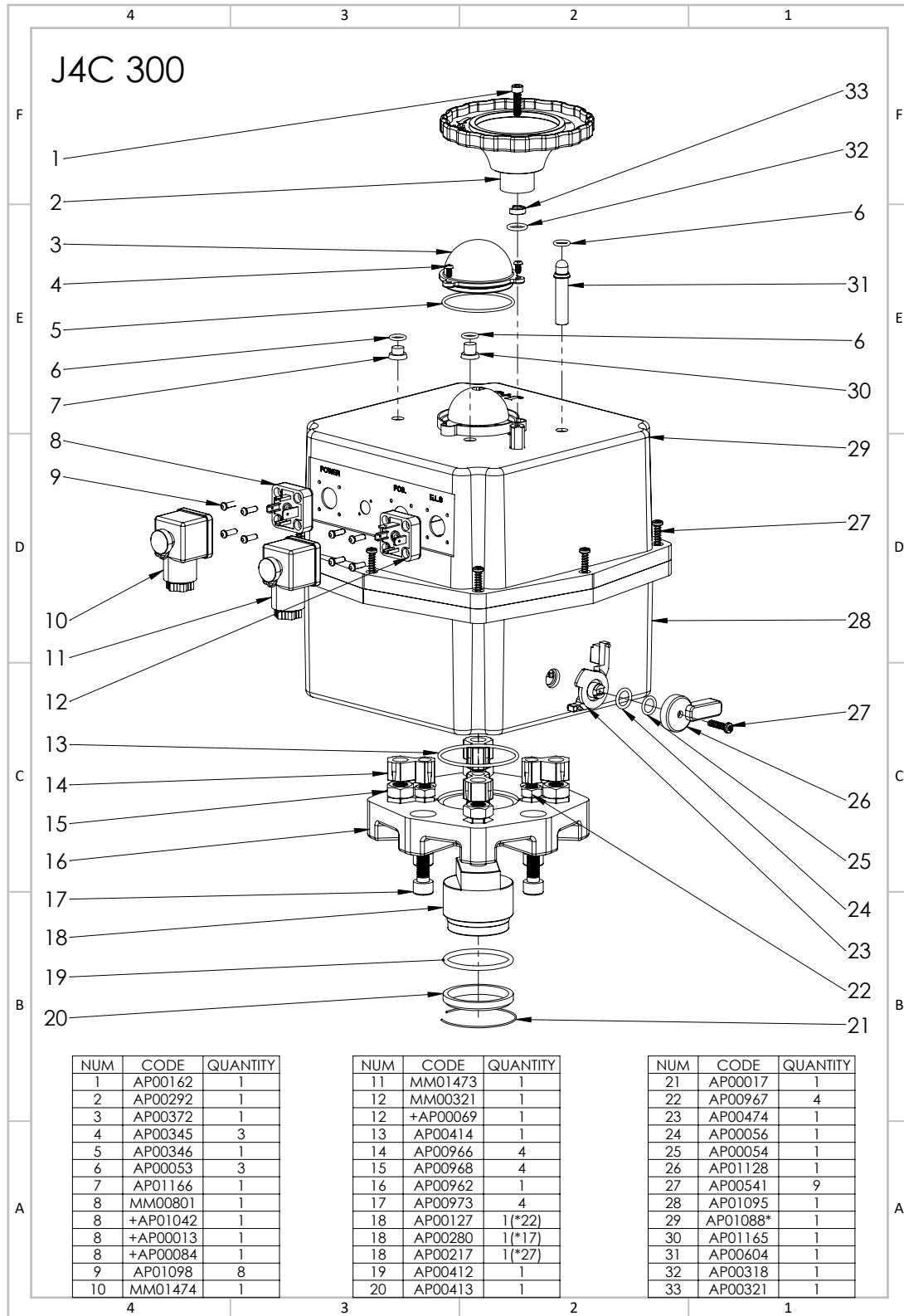
Materials	Standard	Optional
Body	Anticorrosive Polyamide, Grey colour	Polypropilene V0, Black colour
Cover	Anticorrosive Polyamide, Red colour	Polypropilene V0, Natural colour
Output drive	Zamak, Zinc plated	Zamak, TEFLON coated
Flange	Aluminum and Cataphoresis	Aluminum and TEFLON coated
Main external shaft	Stainless Steel	-
External screws	Stainless Steel	-
Gears	Steel and Polyamide	-
Visual position indicator	Polyamide	-
Dome	Polycarbonate	-
Adjustable internal cams	Polyamide	-

Note: Technical data are the same despite the different casings.

J4C 300 - SIZES



EXPLODED VIEW



EXPLODED VIEW

