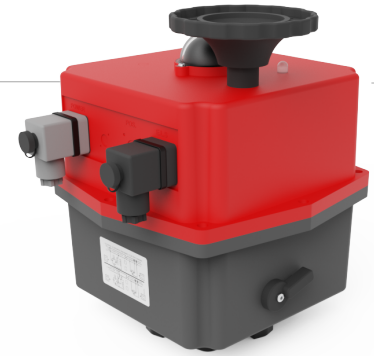


## J4C 140 - GENERAL CHARACTERISTICS



### Technical Data

<b>Operation time unload</b>	34 Sec. /90°
<b>Maximum torque break</b>	170 Nm / 1504,5 lb/in
<b>Maximum operational torque</b>	140 Nm / 1239 lb/in
<b>Duty rating</b>	75%
<b>Max. Working angle</b>	0° to 270°
<b>Limit switch</b>	4 SPST NO micro (2 motor stop and 2 confirmations)
<b>Automatic heater</b>	3,5 W
<b>Grey Plug</b>	EN 175301-803 FORM A
<b>Black Plug</b>	DIN43650/C
<b>Protection IEC 60529 rating</b>	IP67
<b>Temperature</b>	-20°C +70°C / -4°F +158°F
<b>ISO 5211 Plate</b>	Standard: F07/F10 Optional: F12
<b>DIN 3337 Female output drive</b>	Standard: *22 Optional: *17mm
<b>Weight</b>	4,72 kg

### Electronic Data

#### Electronic Torque Limiter function

<b>Electric motor</b>	24VDC Brushless motor
<b>Insulation</b>	Class B
<b>(IEC 60034) Service</b>	S4

#### Voltage VDC/VAC 50/60Hz-0/+5%

<b>S140</b>	24-240 VDC/VAC
<b>B140</b>	12 VDC/VAC ONLY

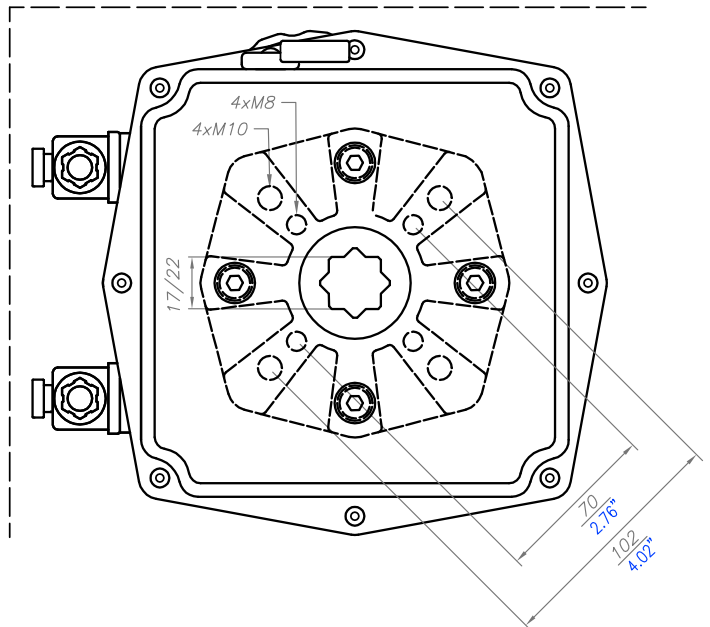
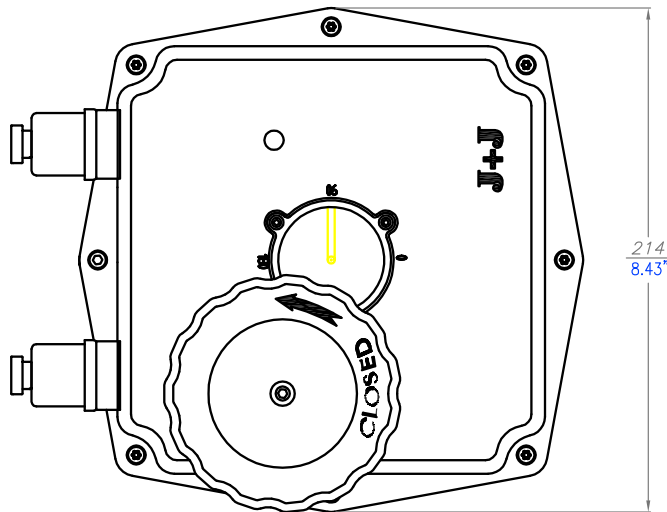
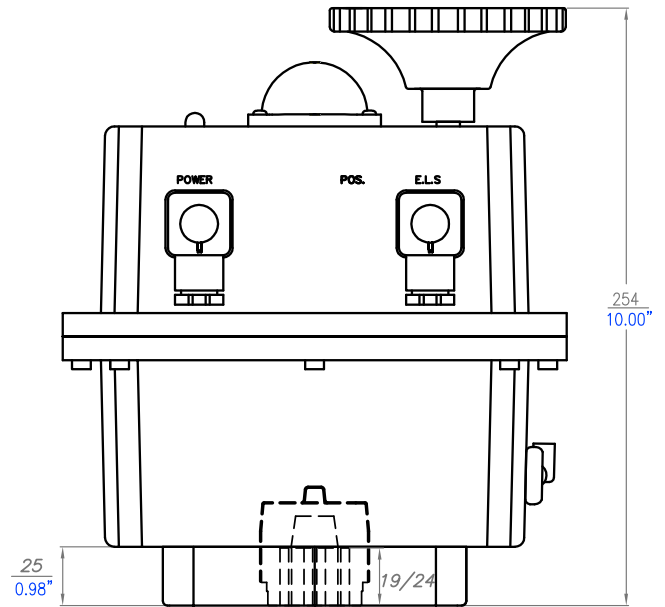
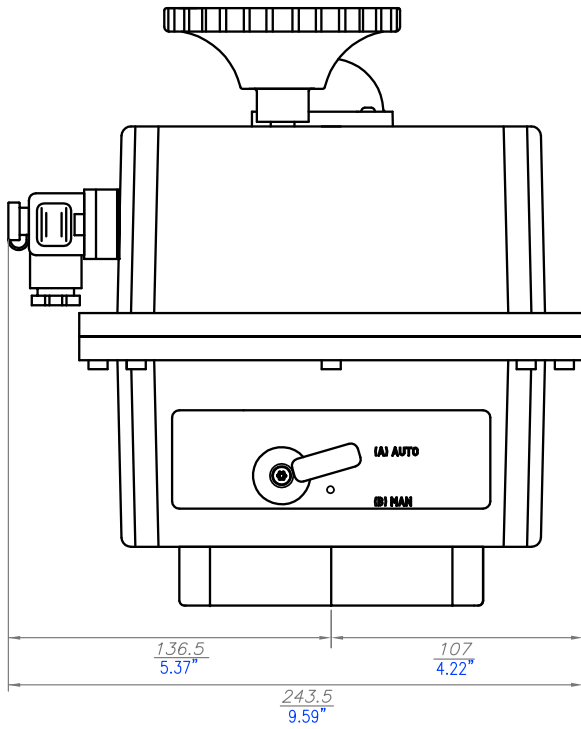
### Options

<b>J4C 140/300 DPS KIT digital positioner</b>	4-20mA, 0-20mA, 0-10V or 1-10V
<b>J4C 140/300 BSR KIT emergency fail safe kit system by battery</b>	NC - NO
<b>Potentiometer</b>	1K, 5K or 10K
<b>3 position actuator</b>	0°-45°-90° or 0°-90°-180°

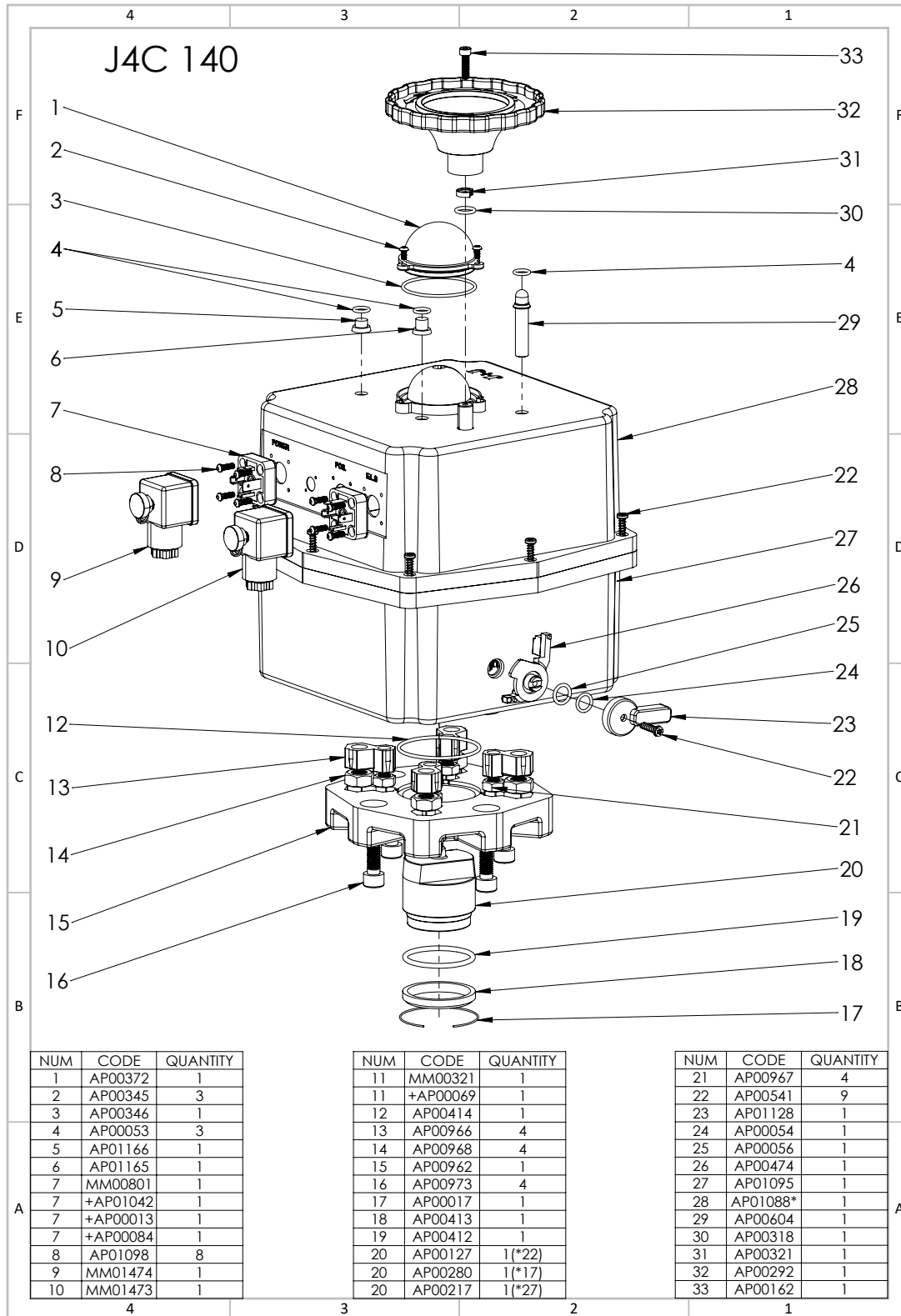
Materials	Standard	Optional
<b>Body</b>	Anticorrosive Polyamide, Grey colour	Polypropilene V0, Black colour
<b>Cover</b>	Anticorrosive Polyamide, Red colour	Polypropilene V0, Natural colour
<b>Output drive</b>	Zamak, Zinc plated	Zamak, TEFLON coated
<b>Flange</b>	Aluminum and Cataphoresis	Aluminum and TEFLON coated
<b>Main external shaft</b>	Stainless Steel	-
<b>External screws</b>	Stainless Steel	-
<b>Gears</b>	Steel and Polyamide	-
<b>Visual position indicator</b>	Polyamide	-
<b>Dome</b>	Polycarbonate	-
<b>Adjustable internal cams</b>	Polyamide	-

Note: Technical data are the same despite the different casings.

## J4C 140 - SIZES



## EXPLODED VIEW



## EXPLODED VIEW

