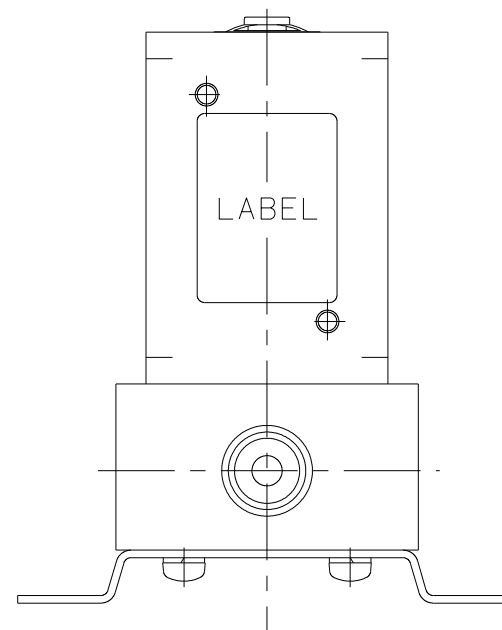


FOR REFERENCE ONLY

# SOLENOID VALVE

## SPECIFICATIONS for MODEL DTV-2-BXXB

- ORIFICE DIAMETER : 4mm
- PORT CONNECTION : Rc1/8, 1/8-27NPT
- OPERATING PRESSURE RANGE : IN -40 ~ 200kPa  
 { -300mmHg ~ 2bar }  
 OUT 0 ~ 50kPa  
 { 0 ~ 0.5bar }
- FLUID MEDIA : FLUIDS CHEMICALLY COMPATIBLE WITH MATERIALS BELOW
- MEDIA TEMPERATURE RANGE : 5 ~ 50°C
- AMBIENT TEMPERATURE RANGE : 5 ~ 50°C
- RATED VOLTAGE : 12VDC, 24VDC
- POWER CONSUMPTION : 7W
- DUTY CYCLE : CONTINUOUS
- COIL TEMPERATURE INCREASE : MAX. 65°C FROM ROOM TEMPERATURE
- INSULATION CLASS : CLASS B
- DIELECTRIC STRENGTH : 1500VAC FOR 60s



### NOTE DTV-2-BXXB

#### PORT CONNECTION

1/8	Rc1/8
1/8N	1/8-27NPT

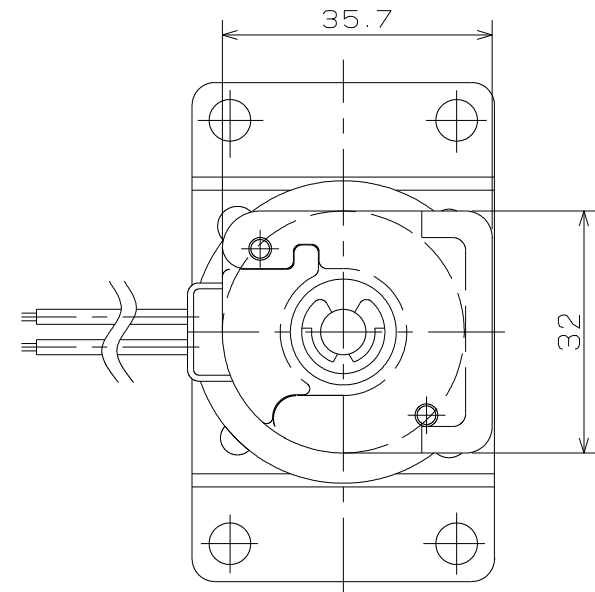
#### SOFT SEAL MATERIAL

F	FPM
G	DAIEL PERFLUOR

#### WETTED MATERIALS

PART NAME	MATERIAL	REQD.	NOTE
DIAPHRAGM	PTFE	1	
SOFT SEAL	FPM/DAIEL PERFLUOR	1	
VALVE BODY	PTFE	1	

SOLENOID VALVE  
 DTV-2-BXXB



LEADS (PVC COATED)  
 AWG20 UL1007 L300

