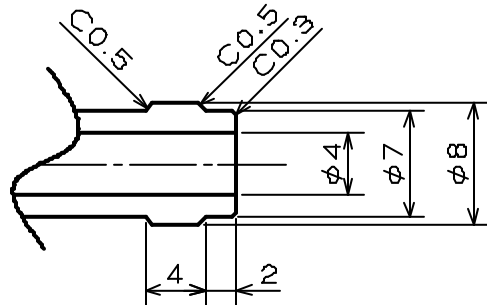
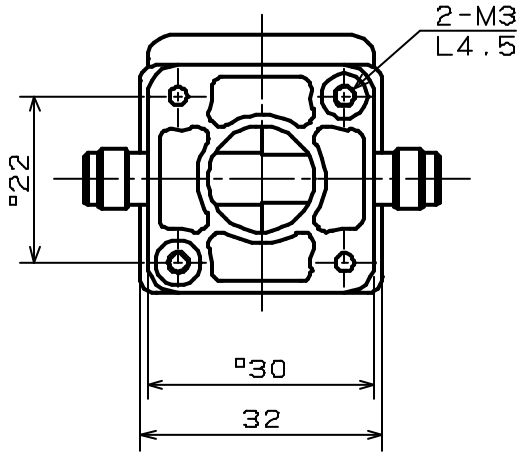
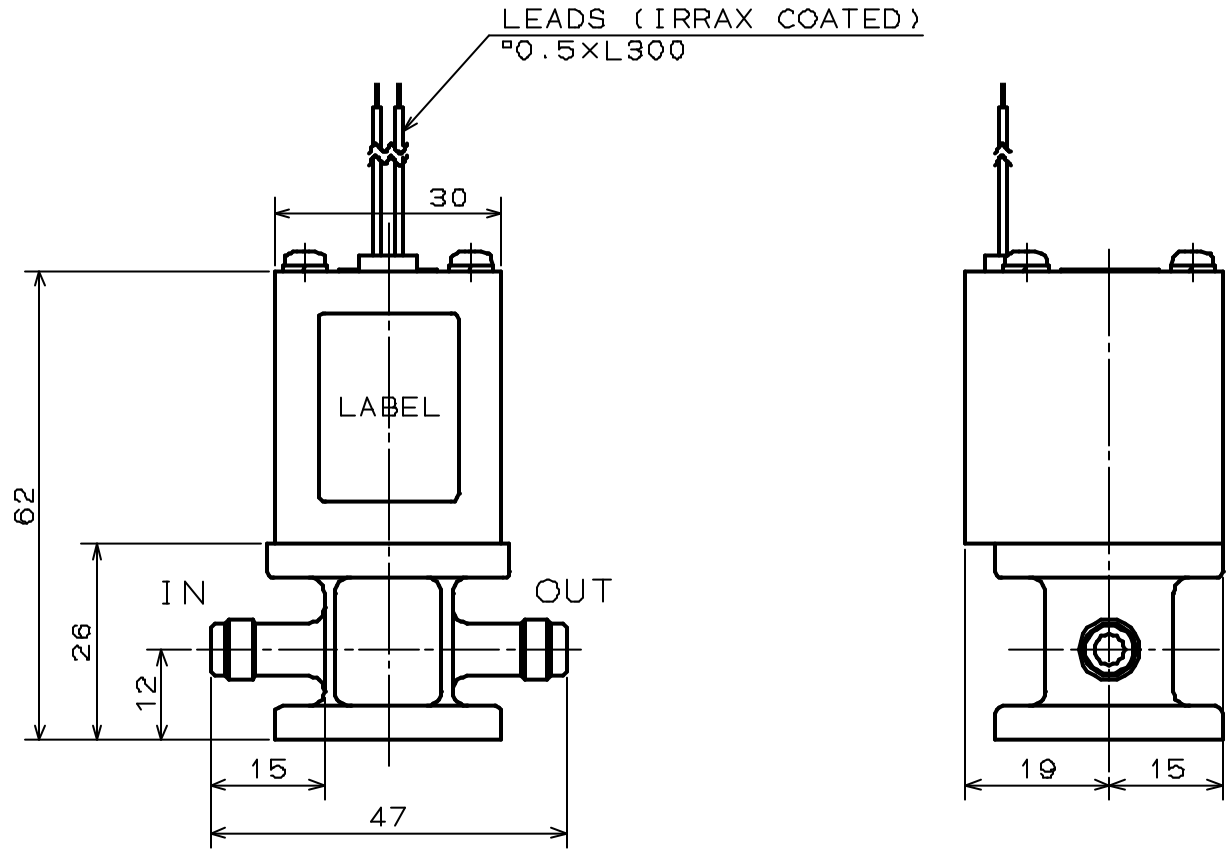


FOR REFERENCE ONLY

SOLENOID VALVE

SPECIFICATIONS for MODEL ACV-2-N1

- ORIFICE DIAMETER : 3mm
- PORT CONNECTION : HOSE BARB
- OPERATING PRESSURE RANGE : IN -55 ~ 100kPa
(-410mmHg ~ 1bar)
- OUT 0 ~ 50kPa
(0 ~ 0.5bar)
- FLUID MEDIA : FLUIDS CHEMICALLY COMPATIBLE WITH MATERIALS BELOW
- MEDIA TEMPERATURE RANGE : 5 ~ 60°C
- AMBIENT TEMPERATURE RANGE : 0 ~ 40°C
- RATED VOLTAGE : 12VDC, 24VDC
- POWER CONSUMPTION : 5W
- DUTY CYCLE : CONTINUOUS
- INSULATION CLASS : CLASS E
- DIELECTRIC STRENGTH : 1500VAC FOR 60s



HOSE BARB DETAILS 2/1

WETTED MATERIALS			
PART NAME	MATERIAL	REQD.	NOTE
DIAPHRAGM	FPM	1	
BODY	PPO	1	
SOLENOID VALVE			
ACV-2-N1			