



# VU

## CHECK VALVES

Edition. 21.0

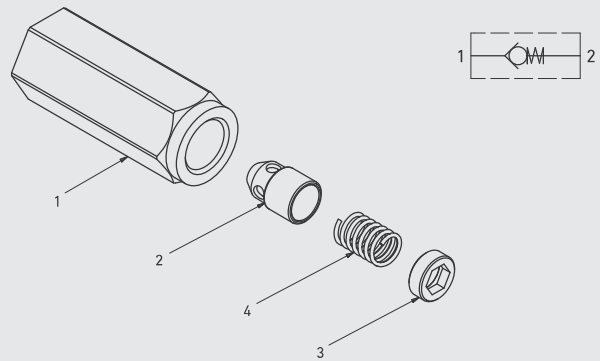
### CS Carbon Steel

- Type: check valve
- Sizes: from DN6 up to DN50
- Ends: BSP-NPT-SAE
- Pressure: up to PN500
- Temp range: from -20°C to +100°C

### SS Stainless Steel

- Type: check valve
- Sizes: from DN6 up to DN50
- Ends: BSP-NPT-SAE
- Pressure: up to PN500
- Temp range: from -30°C to +100°C

### STANDARD COMPOSITION OF VALVE



| POS | DESCRIPTION | Q.TY | CS           | SS              |
|-----|-------------|------|--------------|-----------------|
|     |             |      | Carbon Steel | Stainless Steel |
|     |             |      | MATERIAL     |                 |
| 1   | Body        | 1    | 1,0737       | 1,4404          |
| 2   | Poppet      | 1    | 1,4749       | 1,4305          |
| 3   | Ring        | 1    | 1,0737       | 1,4305          |
| 4   | Spring      | 1    | 1,0116       | 1,4310          |



## CODE DESCRIPTION STRUCTURE

VU G1/2 SS

### Type and way of valve

VU check valves

### Ends

| GAS DIN/<br>ISO 228<br>BSP | NPT ANSI<br>/ASME<br>B1.20.1 | SAE<br>J1926-1 |
|----------------------------|------------------------------|----------------|
| G 1/4                      | N 1/4                        | SAE4           |
| G 3/8                      | N 3/8                        | SAE6           |
| G 1/2                      | N 1/2                        | SAE8           |
| G 3/4                      | N 3/4                        | SAE12          |
| G 1                        | N 1                          | SAE16          |
| G 1 1/4                    | N 1 1/4                      |                |
| G 1 1/2                    | N 1 1/2                      |                |
| G 2                        | N 2                          |                |

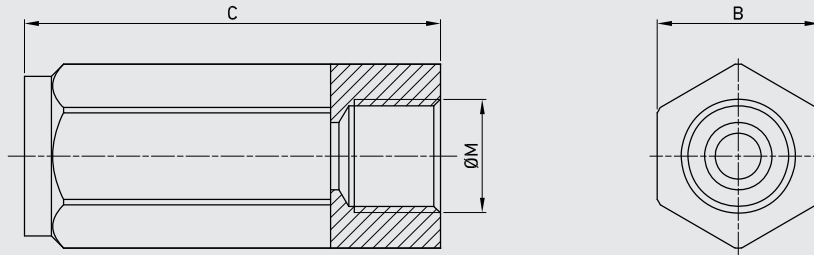
### Material

- CS carbon steel
- SS stainless steel

### \*On request

- Special threads
- Pressure class up to PN500
- Spring closed: 1BAR - 3BAR - 5BAR - 8BAR

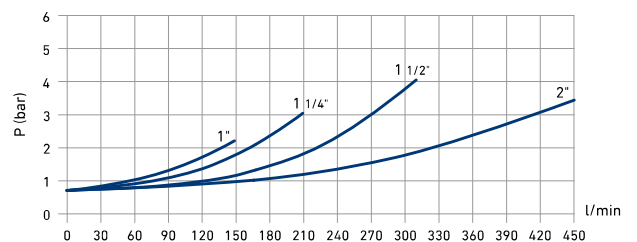
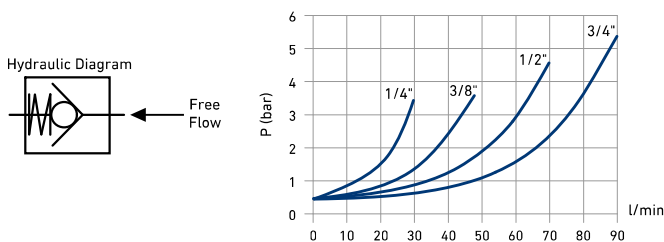
*For further special requests please consult our technical/commercial service.*



VU DIN ISO 228 BSP GAS

| TYPE       | DN | PN       | MAX FLOW L/m | CRACKING PRESSURE | B     | C   | ØM      | WEIGHT  | CS              | SS              |
|------------|----|----------|--------------|-------------------|-------|-----|---------|---------|-----------------|-----------------|
|            |    |          |              |                   |       |     |         |         | Carbon Steel    | Stainless Steel |
| ITEM CODE  |    |          |              |                   |       |     |         |         |                 |                 |
| VU G 1/4   | 6  | MPa 50   | 15           | MPa 0,04 0,07     | mm 19 | 62  | G 1/4   | kg 0,11 | GC2GGT150110000 | GC2GGT150440000 |
|            |    | Psi 7250 |              | Psi 5,8 10,15     |       |     |         | lb 0,24 |                 |                 |
| VU G 3/8   | 10 | MPa 50   | 30           | MPa 0,04 0,07     | mm 24 | 68  | G 3/8   | kg 0,2  | GC2GGT250110000 | GC2GGT250440000 |
|            |    | Psi 7250 |              | Psi 5,8 10,15     |       |     |         | lb 0,44 |                 |                 |
| VU G 1/2   | 13 | MPa 50   | 50           | MPa 0,04 0,07     | mm 30 | 77  | G 1/2   | kg 0,35 | GC2GGT350110000 | GC2GGT350440000 |
|            |    | Psi 7250 |              | Psi 5,8 10,15     |       |     |         | lb 0,77 |                 |                 |
| VU G 3/4   | 20 | MPa 42   | 90           | MPa 0,04 0,07     | mm 36 | 88  | G 3/4   | kg 0,53 | GC2GGT440110000 | GC2GGT440440000 |
|            |    | Psi 6090 |              | Psi 5,8 10,15     |       |     |         | lb 1,17 |                 |                 |
| VU G 1     | 25 | MPa 42   | 150          | MPa 0,04 0,07     | mm 41 | 105 | G 1     | kg 0,75 | GC2GGT530110000 | GC2GGT530440000 |
|            |    | Psi 6090 |              | Psi 5,8 10,15     |       |     |         | lb 1,65 |                 |                 |
| VU G 1 1/4 | 32 | MPa 35   | 200          | MPa 0,04 0,07     | mm 55 | 135 | G 1 1/4 | kg 1,81 | GC2GGT630110000 | GC2GGT630440000 |
|            |    | Psi 5075 |              | Psi 5,8 10,15     |       |     |         | lb 3,99 |                 |                 |
| VU G 1 1/2 | 40 | MPa 35   | 300          | MPa 0,04 0,07     | mm 60 | 145 | G 1 1/2 | kg 2,2  | GC2GGT730110000 | GC2GGT730440000 |
|            |    | Psi 5075 |              | Psi 5,8 10,15     |       |     |         | lb 4,85 |                 |                 |
| VU G 2     | 50 | MPa 35   | 430          | MPa 0,04 0,07     | mm 75 | 175 | G 2     | kg 4,17 | GC2GGT830110000 | GC2GGT830440000 |
|            |    | Psi 5075 |              | Psi 5,8 10,15     |       |     |         | lb 9,19 |                 |                 |

PRESSURE DROP CURVES



**VU ANSI/ASME B1.20.1 NPT**

| TYPE       | DN | PN  |      | MAX FLOW L/m | CRACKING PRESSURE |      |       | B    | C    | ØM  | WEIGHT  | CS           | SS              |                 |                 |
|------------|----|-----|------|--------------|-------------------|------|-------|------|------|-----|---------|--------------|-----------------|-----------------|-----------------|
|            |    | MPa | Psi  |              | MPa               | MPa  | MPa   |      |      |     |         | Carbon Steel | Stainless Steel |                 |                 |
|            |    |     |      |              |                   |      |       |      |      |     |         | ITEM CODE    |                 |                 |                 |
| VU N 1/4   | 6  | MPa | 50   | 15           | MPa               | 0,04 | 0,07  | mm   | 19   | 62  | N 1/4   | kg           | 0,11            | GC2NNT150110000 | GC2NNT150440000 |
|            |    | Psi | 7250 |              | Psi               | 5,8  | 10,15 | inch | 2,44 | lb  |         | 0,24         |                 |                 |                 |
| VU N 3/8   | 10 | MPa | 50   | 30           | MPa               | 0,04 | 0,07  | mm   | 24   | 68  | N 3/8   | kg           | 0,2             | GC2NNT250110000 | GC2NNT250440000 |
|            |    | Psi | 7250 |              | Psi               | 5,8  | 10,15 | inch | 2,68 | lb  |         | 0,44         |                 |                 |                 |
| VU N 1/2   | 13 | MPa | 50   | 50           | MPa               | 0,04 | 0,07  | mm   | 30   | 77  | N 1/2   | kg           | 0,35            | GC2NNT350110000 | GC2NNT350440000 |
|            |    | Psi | 7250 |              | Psi               | 5,8  | 10,15 | inch | 3,03 | lb  |         | 0,77         |                 |                 |                 |
| VU N 3/4   | 20 | MPa | 42   | 90           | MPa               | 0,04 | 0,07  | mm   | 36   | 88  | N 3/4   | kg           | 0,53            | GC2NNT440110000 | GC2NNT440440000 |
|            |    | Psi | 6090 |              | Psi               | 5,8  | 10,15 | inch | 3,46 | lb  |         | 1,17         |                 |                 |                 |
| VU N 1     | 25 | MPa | 42   | 150          | MPa               | 0,04 | 0,07  | mm   | 41   | 105 | N 1     | kg           | 0,75            | GC2NNT530110000 | GC2NNT530440000 |
|            |    | Psi | 6090 |              | Psi               | 5,8  | 10,15 | inch | 4,13 | lb  |         | 1,65         |                 |                 |                 |
| VU N 1 1/4 | 32 | MPa | 35   | 200          | MPa               | 0,04 | 0,07  | mm   | 55   | 135 | N 1 1/4 | kg           | 1,81            | GC2NNT630110000 | GC2NNT630440000 |
|            |    | Psi | 5075 |              | Psi               | 5,8  | 10,15 | inch | 5,31 | lb  |         | 3,99         |                 |                 |                 |
| VU N 1 1/2 | 40 | MPa | 35   | 300          | MPa               | 0,04 | 0,07  | mm   | 60   | 145 | N 1 1/2 | kg           | 2,2             | GC2NNT730110000 | GC2NNT730440000 |
|            |    | Psi | 5075 |              | Psi               | 5,8  | 10,15 | inch | 5,71 | lb  |         | 4,85         |                 |                 |                 |
| VU N 2     | 50 | MPa | 35   | 430          | MPa               | 0,04 | 0,07  | mm   | 75   | 175 | N 2     | kg           | 4,17            | GC2NNT830110000 | GC2NNT830440000 |
|            |    | Psi | 5075 |              | Psi               | 5,8  | 10,15 | inch | 6,89 | lb  |         | 9,19         |                 |                 |                 |

**VU SAE J1926-1**

| TYPE     | DN | PN  |      | MAX FLOW L/m | CRACKING PRESSURE |      |       | B    | C    | ØM  | WEIGHT | CS           | SS              |                 |                 |
|----------|----|-----|------|--------------|-------------------|------|-------|------|------|-----|--------|--------------|-----------------|-----------------|-----------------|
|          |    | MPa | Psi  |              | MPa               | MPa  | MPa   |      |      |     |        | Carbon Steel | Stainless Steel |                 |                 |
|          |    |     |      |              |                   |      |       |      |      |     |        | ITEM CODE    |                 |                 |                 |
| VU SAE4  | 6  | MPa | 50   | 15           | MPa               | 0,04 | 0,07  | mm   | 19   | 62  | N 1/4  | kg           | 0,11            | GC2EEE050110000 | GC2EEE050440000 |
|          |    | Psi | 7250 |              | Psi               | 5,8  | 10,15 | inch | 2,44 | lb  |        | 0,24         |                 |                 |                 |
| VU SAE6  | 10 | MPa | 50   | 30           | MPa               | 0,04 | 0,07  | mm   | 24   | 68  | N 3/8  | kg           | 0,2             | GC2EEE150110000 | GC2EEE150440000 |
|          |    | Psi | 7250 |              | Psi               | 5,8  | 10,15 | inch | 2,68 | lb  |        | 0,44         |                 |                 |                 |
| VU SAE8  | 13 | MPa | 50   | 50           | MPa               | 0,04 | 0,07  | mm   | 30   | 77  | N 1/2  | kg           | 0,35            | GC2EEE250110000 | GC2EEE250440000 |
|          |    | Psi | 7250 |              | Psi               | 5,8  | 10,15 | inch | 3,03 | lb  |        | 0,77         |                 |                 |                 |
| VU SAE12 | 20 | MPa | 42   | 90           | MPa               | 0,04 | 0,07  | mm   | 36   | 88  | N 3/4  | kg           | 0,53            | GC2EEE340110000 | GC2EEE340440000 |
|          |    | Psi | 6090 |              | Psi               | 5,8  | 10,15 | inch | 3,46 | lb  |        | 1,17         |                 |                 |                 |
| VU SAE16 | 25 | MPa | 42   | 150          | MPa               | 0,04 | 0,07  | mm   | 41   | 105 | N 1    | kg           | 0,75            | GC2EEE430110000 | GC2EEE430440000 |
|          |    | Psi | 6090 |              | Psi               | 5,8  | 10,15 | inch | 4,13 | lb  |        | 1,65         |                 |                 |                 |