

PP1070

SERIES

# HIGH PRESSURE PNEUMATIC ACTUATED PISTON VALVES

## Yüksek Basınç Pnömatik Pistonlu Valfler

# TORK®

### Normally Closed / Normalde Kapalı

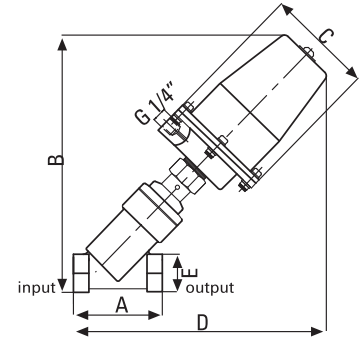


- High pressure max. 40 bar
- Screwed connection

#### UYGULAMA

#### APPLICATION

• Su	• Water
• Hava	• Air
• Buhar	• Steam
• Gaz	• Gas, natural gas
• Kimyasallar	• Chemicals
• Petrol Ürünleri	• Petroleum products
• Gıda	• Food
• İlaç Sanayii	• Pharmaceutical products
• Steril Ortam	• Sterilization
• Arıtma	• Water treatment
• Boyama makinaları	• Dyeing
• Ambalaj makinaları	• Cleaning plants
• İçme suyu istasyonları	• Aggressive gases and liquids
• Vakum uygulamalı	• Vacuum application
• Yağ	• Oil
• Petrol	• Petrol
• Alkol	• Alcohol
• Hidrolik yağ	• Hydraulic liquids
• Tuzlu su	• Salt solutions
• Doğalgaz	• Hydraulic liquids
• Asid	• Organic solvents
	• Acids



#### Dimension / Ölçüler

Type	DN	A	B	C	D	E
Tip	mm Ø	mm	mm	mm	mm	mm
PP1070.03	15 1/2"	72	188	110	210	30
PP1070.04	20 3/4"	81	195	110	215	36
PP1070.05	25 1"	97	197	110	215	42

PP1070 series Normally Closed / PP1070 serisi Normalde Kapalı

Connection Size	Orifice size	Pressure min / max	Control Cylinder	KV	Fluid Temperature		Seal	Valve Type / Order no	Weight
G"	mm	bar	Ø	lt/min	min	max °C		PP1070	(kg)
1/2"	15	40	80	98	-10	180	PTFE	PP1070.03	3.350
3/4"	20	30	80	170	-10	180	PTFE	PP1070.04	3.580
1"	25	20	80	305	-10	180	PTFE	PP1070.05	4.050