

2-Way CHECK VALVE WITH CONE AND SPRING – 3 PIECE CONSTRUCTION

DN15 (1/2") to DN20 (3/4") – PPGF, PVDF



DN15 – PPGF – Flanged



DN15 – PVDF – Flanged



DN15 – PPGF – Threaded

MAIN FEATURES

- This Check Valve consists of a contoured cone optimizing the pressure loss during the passage of the fluid
- The spring makes it possible to control the closing of the valve regardless of its installation position. This valve can be used in a horizontal position.
- A pressure of 0.1 bar is necessary to overcome the force of a standard spring or 0.5 bar for a “strong” spring in normal use in the flowing direction.
- A counter pressure of 0.3 bar is necessary to keep tightness in the non-flow direction.

Les descriptions et caractéristiques figurant sur ce document sont données uniquement à titre d'information et non d'engagement contractuel. SAFI se réserve le droit d'effectuer sans préavis, toute modification.

SAFI has a policy of continuously developing its product range and the above data is subject to change without prior notification.

Die Beschreibungen und Daten, die sich auf diesem Dokument befinden, sind rein informativ und unverbindlich. SAFI behält sich vor, ohne Vorankündigung Änderungen vorzunehmen, die als technisch notwendig erachtet werden.

Las descripciones y características que figuran en este documento son indicativas. En ningún caso son contractuales. SAFI se reserva el derecho sin previo aviso de efectuar cualquier modificación.

SAFI

Av. Jacques Moison – BP 1
26770 TAULIGNAN
FRANCE
Tél.: (+33) 4 75 53 56 29
Fax : (+33) 4 75 53 62 78
info@safi-valves.com

SAFI Limited

35 Holton Road
Holton Heath Trading Park
POOLE Dorset - BH16 6LT
UNITED KINGDOM
Tél.: (+44) 1202 624618
Fax : (+44) 1202 628500
sales@safi-valves.com

SAFI Deutschland

Kunststoffarmaturen
Vertriebs GmbH
Jahnstrasse 29
64319 PFUNGSTADT
DEUTSCHLAND
Tél. : (+49) 61 57 81 919
Fax : (+49) 61 57 82 025
info-deutschland@safi-valves.com

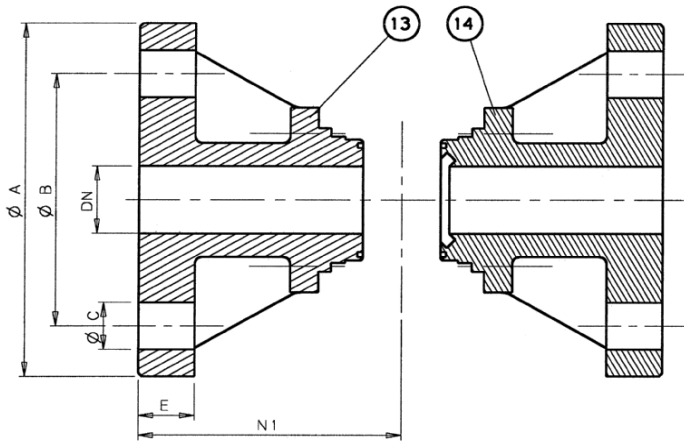
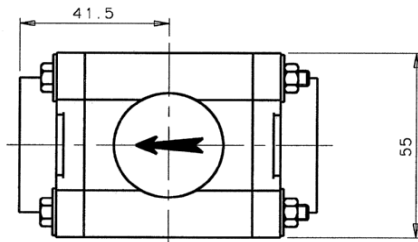
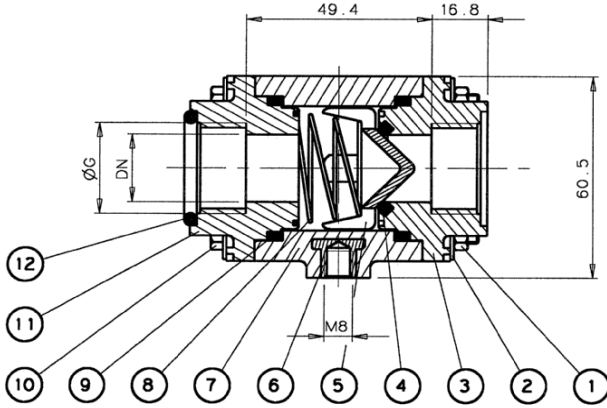
SAFI Fabrica de Valvulas

C/ Carboners, 35
Pol. Ind. La Cometa
43700 EL VENDRELL
TARRAGONA-ESPAÑA
Tel.: (+34) 977 665 147
Fax : (+34) 977 664 989
info@safi-valvulas.com

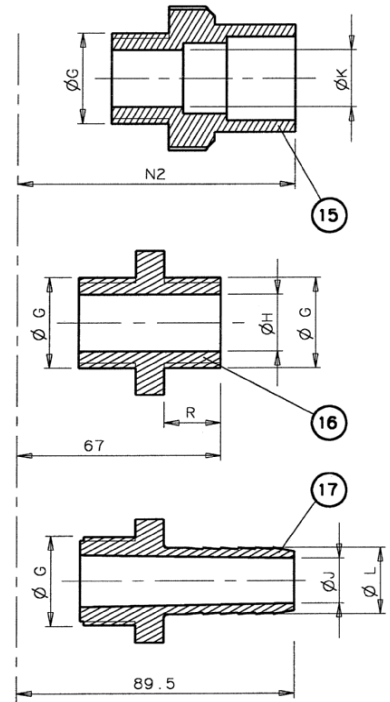
SAFI America

Las Garzas Trade Center
Las Garzas #950, B
Quilicura
SANTIAGO – CHILE
Tél.: (+56 2) 2 510 3500
Fax : (+56 2) 2 510 3507
info@safi-america.com

DIMENSIONS



FTF according to NF EN 558-1



DN	ØB		ØC												Weight PPGF		Weight PVDF	
	A	DIN	ANSI	DIN	ANSI	E	G	H	J	K	L	N1	N2	R	With 2 Fittings	With 2 Flanges	With 2 Fittings	With 2 Flanges
15	95	65	60	14	16	14	1/2" BSP	15	13	12	16	65	74,5	16,8	0,3 Kg	0,53 Kg	0,54 Kg	0,95 Kg
20	105	75	70	14	16	16	3/4" BSP	20	19	17	25	75	78,5	16,8	0,3 Kg	0,53 Kg	0,54 Kg	0,95 Kg

DIN = Drilling according with EN1092-1 PN10 /PN16

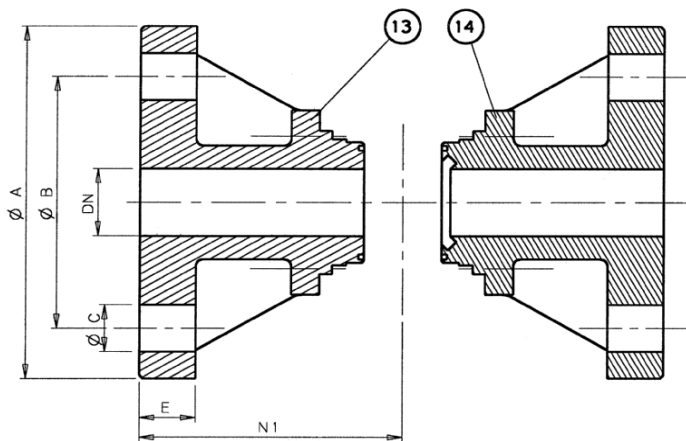
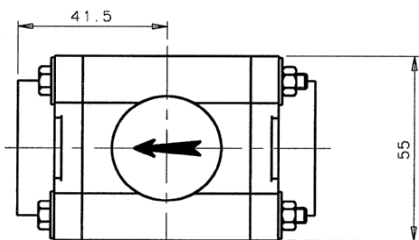
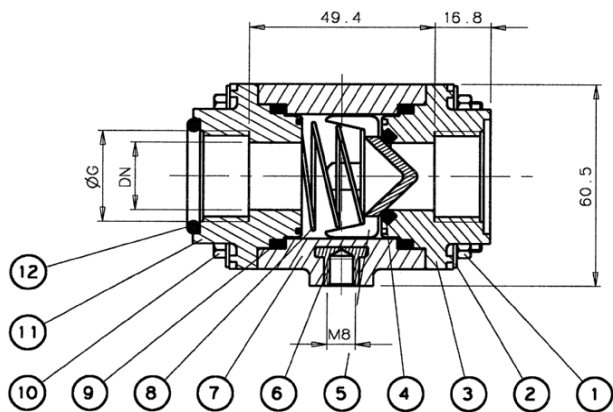
ANSI = drilling according with EN1759-1/ASME B16.5 CLASS 150

Les descriptions et caractéristiques figurant sur ce document sont données uniquement à titre d'information et non d'engagement contractuel. SAFI se réserve le droit d'effectuer sans préavis, toute modification.

Die Beschreibungen und Daten, die sich auf diesem Dokument befinden, sind rein informativ und unverbindlich. SAFI behält sich vor, ohne Vorankündigung Änderungen vorzunehmen, die als technisch notwendig erachtet werden.

Las descripciones y características que figuran en este documento son indicativas. En ningún caso son contractuales. SAFI se reserva el derecho sin previo aviso de efectuar cualquier modificación.

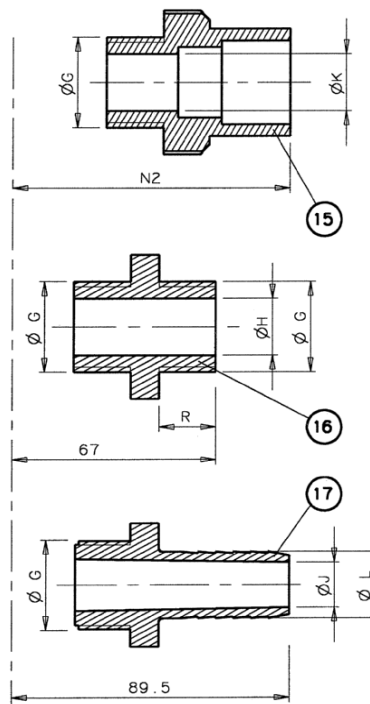
PARTS LIST



FTF according to NF EN 558-1

N°	QTY	DESCRIPTION	MATERIAL
1	4	Nut M5	SS 316
2	8	Washer L5	SS 316
3	1	BSP Threaded connecting end	PPGF / PVDF
		NPT threaded connecting end	PPGF / PVDF
4	1	O-ring	EPDM/FPM*/FFPM
5	1	Cone	PPGF / PVDF
6	1	Fixing Insert	SS 304
7	1	Body	PPGF / PVDF
8	1	Normal Spring	SS 316
		Strong Spring	Hastelloy C276
9	2	O-ring	EPDM/FPM*/FEP
10	4	Screw TH M5x70	SS 316
11	1	BSP Threaded connecting end	PPGF / PVDF
		NPT threaded connecting end	PPGF / PVDF
12	1	O-ring	EPDM/FPM*
13	1	Flange (spring side)	PPGF / PVDF
14	1	Flange (cone side)	PPGF / PVDF
15	1	Metric Plain Socket	PVC-U/ABS
		Imperial Plain Socket	PP-H/PEHD/PVDF
16	1	BSP Threaded Socket	PPGF / PVDF
17	1	Hosetail	PPGF

*FPM type SAFKM5



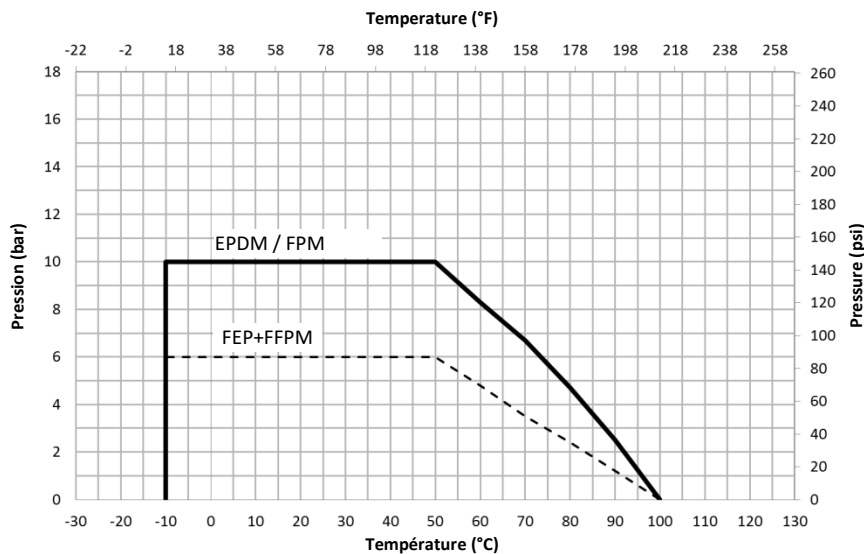
Les descriptions et caractéristiques figurant sur ce document sont données uniquement à titre d'information et non d'engagement contractuel. SAFI se réserve le droit d'effectuer sans préavis, toute modification.

SAFI has a policy of continuously developing its product range and the above data is subject to change without prior notification.

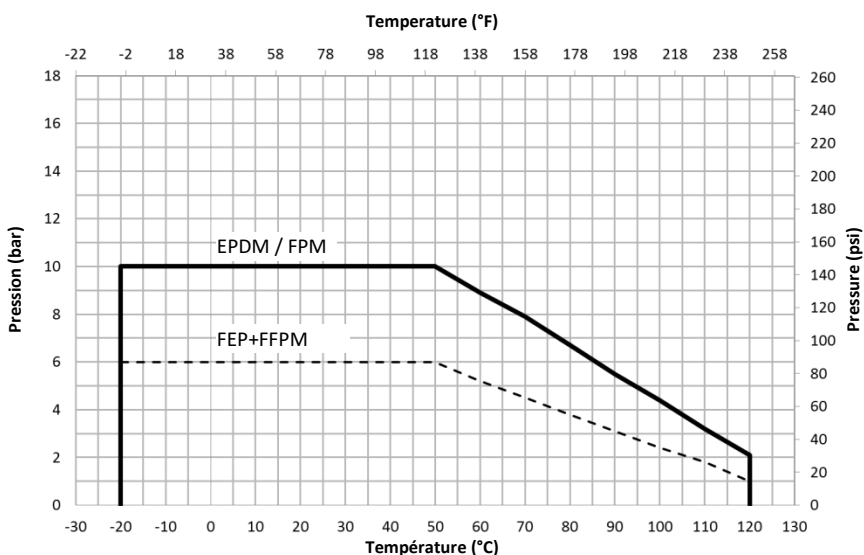
Die Beschreibungen und Daten, die sich auf diesem Dokument befinden, sind rein informativ und unverbindlich. SAFI behält sich vor, ohne Vorankündigung Änderungen vorzunehmen, die als technisch notwendig erachtet werden.

Las descripciones y características que figuran en este documento son indicativas. En ningún caso son contractuales. SAFI se reserva el derecho sin previo aviso de efectuar cualquier modificación.

PRESSURE / TEMPERATURE CURVES



PPGF



PVDF

Pressure/Temperature Summary

Type of Seals	WORKING PRESSURE (in bars at 20°C)	
	PPGF	PVDF
EPDM / FPM	10	10
FEP + FFPM	6	6

WORKING TEMPERATURE	
PPGF	PVDF
0°C to + 100°C	-20°C to + 120°C

Les descriptions et caractéristiques figurant sur ce document sont données uniquement à titre d'information et non d'engagement contractuel. SAFI se réserve le droit d'effectuer sans préavis, toute modification.

SAFI has a policy of continuously developing its product range and the above data is subject to change without prior notification.

Die Beschreibungen und Daten, die sich auf diesem Dokument befinden, sind rein informativ und unverbindlich. SAFI behält sich vor, ohne Vorankündigung Änderungen vorzunehmen, die als technisch notwendig erachtet werden.

Las descripciones y características que figuran en este documento son indicativas. En ningún caso son contractuales. SAFI se reserva el derecho sin previo aviso de efectuar cualquier modificación.

PRESSURE LOSS

DN	Kv (m ³ /h)
15	7,1
20	13,2

Kv defined according to NF EN 1267

Pressure Loss given in the flowing direction of a check valve equipped with a standard spring.

Our valves are guaranteed for an average fluid velocity in the pipeline of ≤ 2 m/s. Please contact us with the working conditions for any higher speed.

CHEMICAL RESISTANCE

The chemical resistance of the valve is subject to the type of fluid, the temperature, the pressure, as well as the materials and seals of the valve.

Please contact us to have a personalized analysis of the resistance of one of our products to a given fluid

You can also consult, for information only, the table given in ISO 10358. However, this table cannot be considered as a recommendation by SAFI who could not be held liable for the use of this document.

DETERMINING A PRODUCT CODE

TYPE	SPECIFICATION	DN	Fitting (Inlet)	Fitting (Outlet)	Seals	Spring
2001 = PPGF Check Valve	- = Standard Cone	00 = DN15 01 = DN20	A = BSP Threaded Socket C = Metric Plain Socket (Same material as body)	A = BSP Threaded Socket C = Metric Plain Socket (Same material as body)	E = EPDM V = FPM type SAFKM5 (for type 2001) Z = FPM type SAFKM5 (for type 2068) P = FEP+FFPM	I = Normal Spring in SS 316 H = Normal Spring in Hastelloy C276 R = Strong Spring in 316
2068 = PVDF Check Valve			F = Flange with drilling in accordance with EN 1092-1 PN10/PN16 (DIN) G = Flange with drilling in accordance with EN1759-1/ASME B16.5 Class 150 (ANSI)	F = Flange with drilling in accordance with EN 1092-1 PN10/PN16 (DIN) G = Flange with drilling in accordance with EN1759-1/ASME B16.5 Class 150 (ANSI)		

Example : 2001-00AAVH

2001	-	00	A	A	V	H
PPGF Check Valve	Standard Cone	DN15	BSP Threaded Socket	BSP Threaded Socket	FPM type SAFKM5 (for type 2001)	Normal Spring in Hastelloy C276

Example : 2068-01AAZI

2068	-	01	A	A	Z	I
PVDF Check Valve	Standard Cone	DN20	BSP Threaded	BSP Threaded	FPM type SAFKM5 (for type 2068)	Normal Spring in Stainless Steel 316