



BUTTERFLY VALVES

TECHNICAL CATALOGUE



SERIES VV





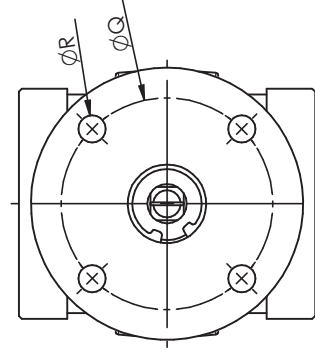
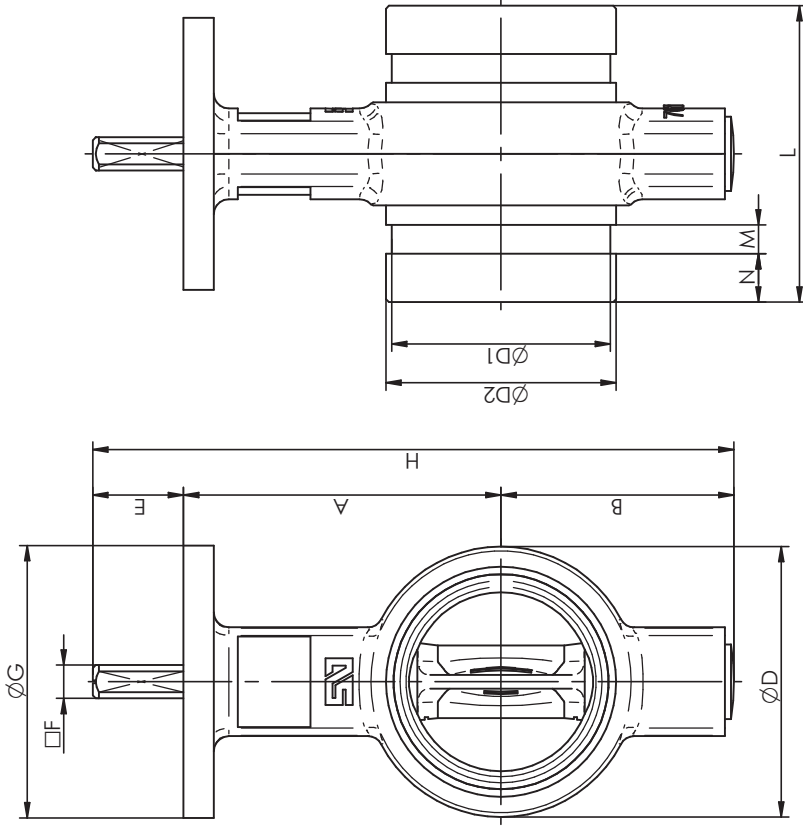
BUTTERFLY VALVES

TECHNICAL CATALOGUE



4.7 SERIES VV

| Designation: | Technical Sheet: |
|---|-------------------------|
| • VV valve general dimensions. | VV -001- DT |
| • VV valve manual operation dimension. | VV -002- DT |
| • VV valve automatic operation dimension. | VV -003- DT |
| • VV DN 50/100 valve material details | VV -010- DT |
| • VV DN 125/200 valve material details. | VV -011- DT |



| DN | | DIMENSIONES GENERALES / GENERAL DIMENSIONS | | | | | | | | | | | | | CABEZA / HEAD | | | | |
|-----|--------------|--|-----|-----|------|-------|-------|----|----|----|-----|-----|------|----|----------------|------|------|----|-----|
| mm | Pulg Inch | O.D. | A | B | D | D1 | D2 | E | F | G | H | L | M | N | Peso Weight | ISO | P | Q | R |
| 50 | 2" | 60.3 | 100 | 50 | 70 | 57.1 | 60.3 | 30 | 11 | 90 | 180 | 86 | 8 | 16 | 1.7 | F-07 | 13 | 70 | 4x9 |
| 65 | 2 1/2" | 76.1 | 105 | 77 | 89.5 | 72.3 | 76.1 | 30 | 11 | 90 | 212 | 97 | 9.5 | 16 | 2.3 | F-07 | 13 | 70 | 4x9 |
| 80 | 3" | 88.9 | 112 | 85 | 102 | 84.9 | 88.9 | 30 | 11 | 90 | 227 | 97 | 9.5 | 16 | 2.8 | F-07 | 13 | 70 | 4x9 |
| 100 | 4" | 114.3 | 135 | 97 | 128 | 110.1 | 114.3 | 30 | 11 | 90 | 262 | 116 | 9.5 | 16 | 3.9 | F-07 | 13 | 70 | 4x9 |
| 125 | 5" | 139.7 | 147 | 108 | 155 | 135.5 | 139.7 | 33 | 14 | 90 | 288 | 148 | 9.5 | 16 | 5.9 | F-07 | 17 | 70 | 4x9 |
| 125 | 5" | 141.3 | 147 | 108 | 155 | 137 | 141.3 | 33 | 14 | 90 | 288 | 148 | 9.5 | 16 | 6.1 | F-07 | 17 | 70 | 4x9 |
| 150 | 6" | 165.1 | 180 | 120 | 180 | 160.9 | 165.1 | 33 | 14 | 90 | 333 | 148 | 9.5 | 16 | 7.3 | F-07 | 17 | 70 | 4x9 |
| 150 | 6" | 168.3 | 180 | 120 | 180 | 164 | 168.3 | 33 | 14 | 90 | 333 | 148 | 9.5 | 16 | 7.8 | F-07 | 17 | 70 | 4x9 |
| 200 | 8" | 219.1 | 204 | 148 | 234 | 214.4 | 219.1 | 33 | 17 | 90 | 385 | 133 | 12.4 | 19 | 10.4 | F-07 | 20.3 | 70 | 4x9 |

VALVULA DE MARIPOSA "VV(w)" / BUTTERFLY VALVE "VV(w)"
 DIMENSIONES GENERALES / GENERAL DIMENSIONS

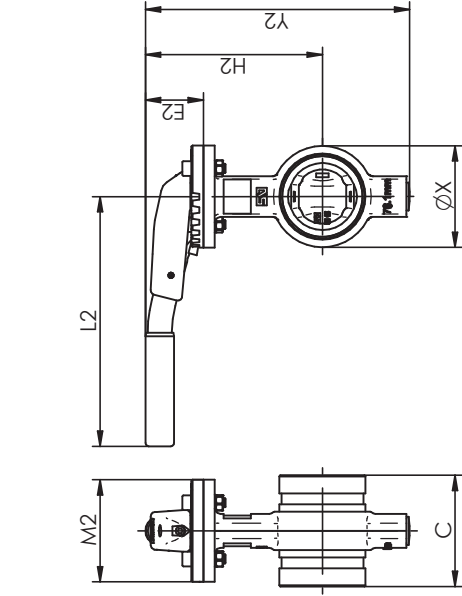
REVISION
 02
 14-03-12

FICHA TECNICA N:

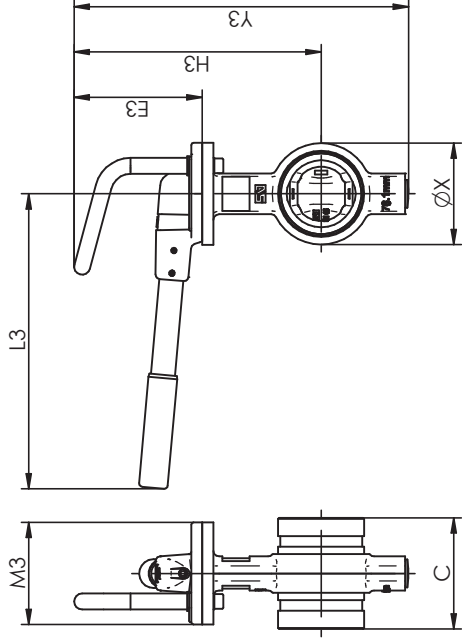
VV(w)-001 -DT



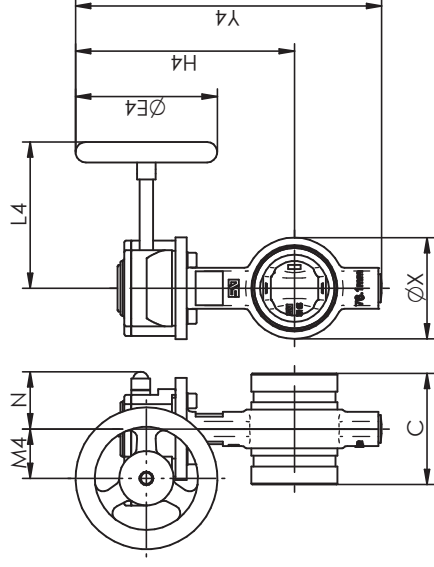
SIGEVAL,S.A



"MN"



"MR"

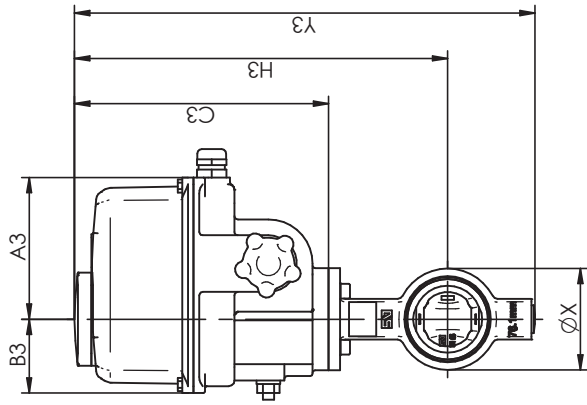


"MDV"

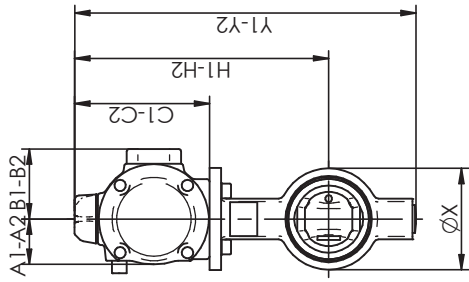
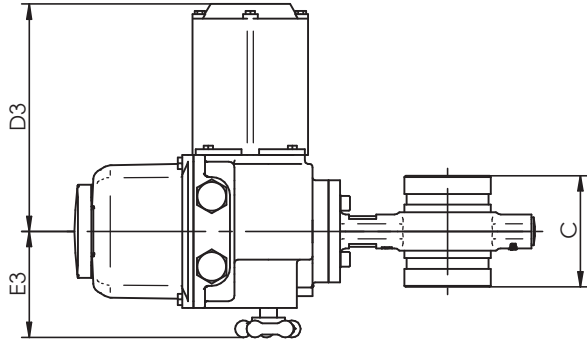
| Mn | DN | Puig | O.D. | MN | | | | MR | | | | MDV | | | | | | | | | | | | |
|-----|-----|-------|------|------|----|-----|-----|-----|----|------|-----|-----|-----|-----|----|------|----|-----|-------|-------|-----|------|------|------|
| | | | | C | X | E2 | H2 | Y2 | L2 | M2 | Kg | E3 | H3 | Y3 | L3 | M3 | Kg | REF | E4 | H4 | Y4 | L4 | M4 | N |
| 50 | 2" | 60.3 | 86 | 70 | 49 | 149 | 199 | 220 | 90 | 2.1 | 113 | 213 | 263 | 260 | 90 | 2.3 | 0 | 125 | 188 | 238 | 129 | 43.5 | 50.5 | 2.9 |
| 65 | 2½" | 76.1 | 97 | 89.5 | 49 | 154 | 231 | 220 | 90 | 2.7 | 113 | 218 | 297 | 260 | 90 | 2.9 | 0 | 125 | 193 | 270 | 129 | 43.5 | 50.5 | 3.5 |
| 80 | 3" | 88.9 | 97 | 102 | 60 | 172 | 257 | 260 | 90 | 3.3 | 113 | 225 | 310 | 260 | 90 | 3.4 | 0 | 125 | 200 | 285 | 129 | 43.5 | 50.5 | 4.0 |
| 100 | 4" | 114.3 | 116 | 128 | 60 | 195 | 292 | 260 | 90 | 4.4 | 113 | 248 | 345 | 260 | 90 | 4.5 | 0 | 125 | 223 | 320 | 129 | 43.5 | 50.5 | 5.1 |
| 125 | 5" | 139.7 | 148 | 155 | 75 | 222 | 330 | 315 | 90 | 6.5 | 113 | 260 | 368 | 310 | 90 | 6.6 | 1 | 160 | 252.5 | 360.5 | 135 | 43.5 | 50.5 | 7.3 |
| 125 | 5" | 141.3 | 148 | 155 | 75 | 222 | 330 | 315 | 90 | 6.7 | 113 | 260 | 368 | 310 | 90 | 6.8 | 1 | 160 | 252.5 | 360.5 | 135 | 43.5 | 50.5 | 7.5 |
| 150 | 6" | 165.1 | 148 | 180 | 75 | 255 | 375 | 315 | 90 | 7.9 | 113 | 293 | 413 | 310 | 90 | 8.0 | 1 | 160 | 285.5 | 405.5 | 135 | 43.5 | 50.5 | 8.7 |
| 150 | 6" | 168.3 | 148 | 180 | 75 | 255 | 375 | 315 | 90 | 8.4 | 113 | 293 | 413 | 310 | 90 | 8.5 | 1 | 160 | 285.5 | 405.5 | 135 | 43.5 | 50.5 | 9.2 |
| 200 | 8" | 219.1 | 133 | 234 | 75 | 279 | 427 | 315 | 90 | 11.0 | 113 | 317 | 465 | 310 | 90 | 11.1 | 1A | 200 | 334 | 482 | 152 | 52.5 | 59 | 13.0 |

VALVULA DE MARIPOSA "VV(w)" / BUTTERFLY VALVE "VV(w)"
 ACT. MANUAL / MANUAL ACT.

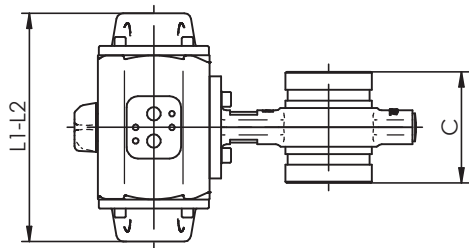
REVISION 02 14-10-10
 FICHA TECNICA N: VV(w)-002-DT



ACCIONAMIENTO ELECTRICO
ELECTRIC ACTUATOR



ACCIONAMIENTO NEUMATICO
PNEUMATIC ACTUATOR



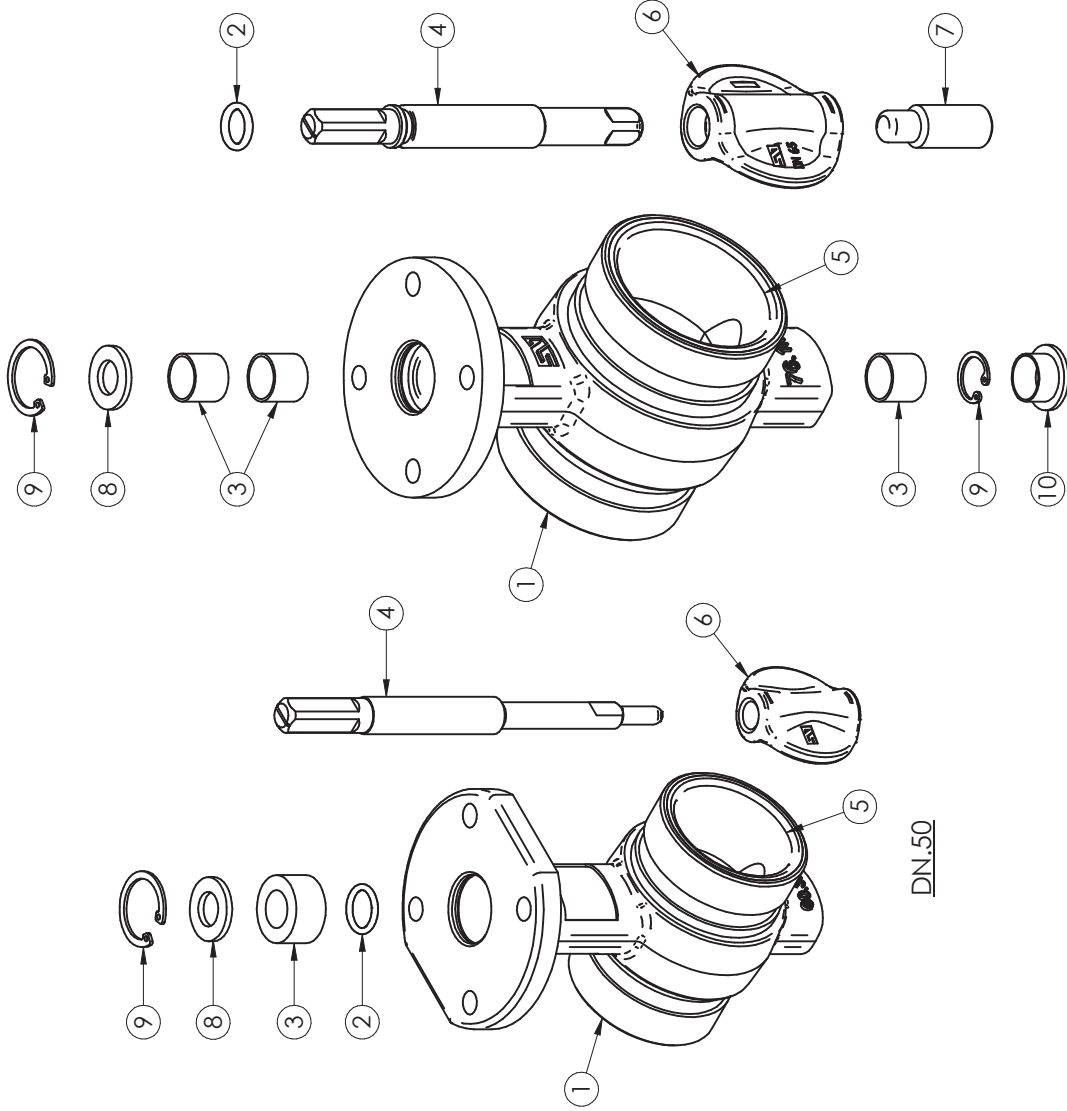
| DN | DOBLE EFECTO - DOUBLE ACTING | | SIMPLE EFECTO - SPRING RETURN | | | | | ACT. ELECTRICO - ELECTRIC ACT. | | | | | | | | | | | | | | | | | | | | |
|-----|------------------------------|-----|-------------------------------|------|------|------|-------|--------------------------------|-------|-------|------|-------|------|------|-------|-------|-------|-------|------|------|-----|----|-----|-----|-----|-----|-----|------|
| | C | X | REF | A1 | B1 | C1 | H1 | Y1 | L1 | Kg1 | REF | A2 | B2 | C2 | H2 | Y2 | L2 | Kg2 | REF | A3 | B3 | C3 | D3 | E3 | H3 | Y3 | Kg3 | |
| 50 | 60.3 | 86 | 70 | PA00 | 31.9 | 52.2 | 120.5 | 220.5 | 270.5 | 152.8 | 3.1 | PA00S | 31.9 | 52.2 | 120.5 | 220.5 | 270.5 | 152.8 | 3.3 | OA6 | 127 | 73 | 225 | 202 | 116 | 325 | 375 | 8.7 |
| 65 | 76.1 | 97 | 89.5 | PA05 | 39.9 | 61.7 | 119 | 224 | 301 | 201.2 | 4.9 | PA05S | 39.9 | 61.7 | 119 | 224 | 301 | 201.2 | 5.3 | OA6 | 127 | 73 | 225 | 203 | 116 | 330 | 407 | 9.3 |
| 80 | 88.9 | 97 | 102 | PA05 | 39.9 | 61.7 | 119 | 231 | 316 | 201.2 | 5.4 | PA10S | 40.9 | 62.7 | 123 | 235 | 320 | 225 | 6.3 | OA6 | 127 | 73 | 225 | 203 | 116 | 337 | 422 | 9.8 |
| 100 | 114.3 | 116 | 128 | PA05 | 39.9 | 61.7 | 119 | 254 | 351 | 201.2 | 6.5 | PA15S | 48.9 | 70.5 | 138.6 | 273.6 | 370.6 | 265 | 8.9 | OA6 | 127 | 73 | 225 | 203 | 116 | 360 | 457 | 10.9 |
| 125 | 139.7 | 148 | 155 | PA10 | 40.9 | 62.7 | 123 | 270 | 378 | 270 | 9.0 | PA20S | 52.4 | 75.1 | 146.8 | 293.8 | 401.8 | 310 | 12.5 | OA8 | 127 | 73 | 225 | 203 | 116 | 372 | 480 | 13.0 |
| 125 | 141.3 | 148 | 155 | PA10 | 40.9 | 62.7 | 123 | 270 | 378 | 270 | 9.2 | PA20S | 52.4 | 75.1 | 146.8 | 293.8 | 401.8 | 310 | 12.7 | OA8 | 127 | 73 | 225 | 203 | 116 | 372 | 480 | 13.2 |
| 150 | 165.1 | 148 | 180 | PA15 | 48.9 | 70.5 | 138.6 | 318.6 | 438.6 | 265 | 11.5 | PA25S | 64.3 | 89.2 | 174.8 | 354.8 | 474.8 | 358.2 | 18.6 | OA15 | 127 | 73 | 225 | 246 | 116 | 405 | 525 | 14.3 |
| 150 | 168.3 | 148 | 180 | PA15 | 48.9 | 70.5 | 138.6 | 318.6 | 438.6 | 265 | 12.0 | PA25S | 64.3 | 89.2 | 174.8 | 354.8 | 474.8 | 358.2 | 19.1 | OA15 | 127 | 73 | 225 | 246 | 116 | 405 | 525 | 14.8 |
| 200 | 219.1 | 133 | 234 | PA20 | 52.3 | 75.1 | 146.8 | 350.8 | 498.8 | 310 | 16.0 | P30S | 71.7 | 97.3 | 191.3 | 395.3 | 543.3 | 427.5 | 25.7 | OA15 | 127 | 73 | 225 | 246 | 116 | 429 | 577 | 17.4 |



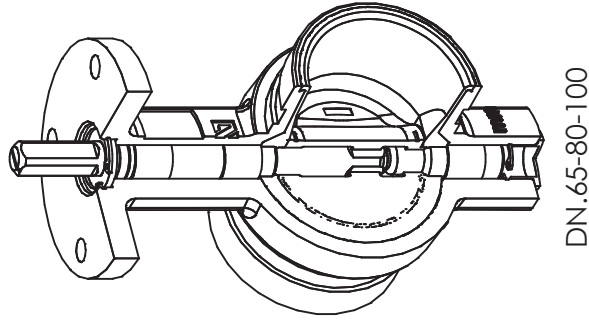
SIGEVAL,S.A

VALVULA MARIPOSA "VV(w)" / BUTTERFLY VALVE "VV(w)"
ACTO. AUTOMATICO / AUTOMATIC ACT.

REVISION
02
14-10-10
FICHA TECNICA N:
VV(w)-003-DT



TECHNICAL DATA
 MAX. SERVICE PRESSURE: 16Kg/cm²
 HYDROSTATIC AND RESISTANCE TEST
 OPEN VALVE: 24Kg/cm²
 CLOSED VALVE: 17.6Kg/cm²



DN.50

DN.65-80-100

| ITEM | DESIGNATION | MATERIAL | REMARKS | QUAN |
|------|-------------------------|-------------------|---------------|------|
| 10 | PLUG | POIETILENE | DN.65-80-100 | 1 |
| 9 | ZEGIRING BODY | ZINC PLATED STEEL | DIN 472 | 2 |
| 8 | RETAINING RING SHAFT | ZINC PLATED STEEL | DIN 125 | 1 |
| 7 | LOWER SHAFT | ACC. SHEET E-0001 | DN.65-80-100 | 1 |
| 6 | DISC | ACC. SHEET M-0001 | | 1 |
| 5 | SEAT VULCANIZED ON BODY | ACC. SHEET A-0001 | | 1 |
| 4 | UPPER SHAFT | ACC. SHEET E-0001 | | 1 |
| 3 | BUSHING | ACETAL DELRIN | DN.50 | 1 |
| 2 | "O" RING | ACERO-BZ-PFTE | DN.65-80-100 | 3 |
| 1 | BODY | NITRILE | | 1 |
| | | ACC. SHEET C-0001 | COATING EPOXY | 1 |

REVISION
 01
 11-10-25

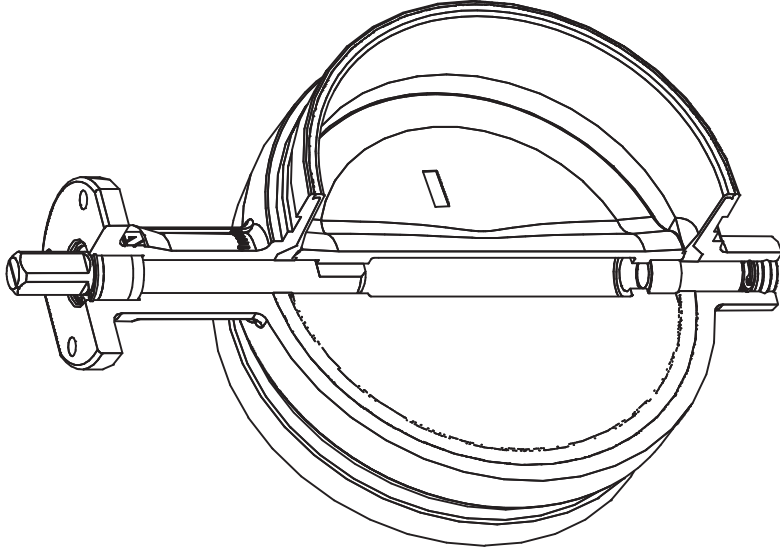
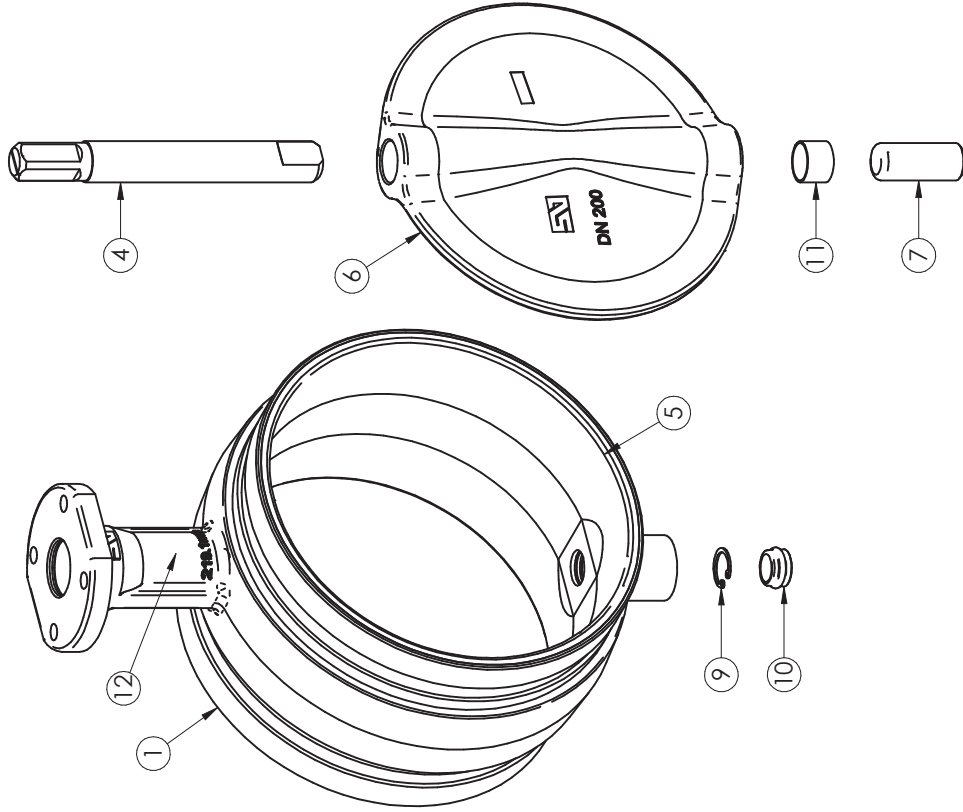
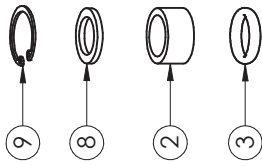
TECHNICAL SHEET:

VV(w)-010-DT

BUTTERFLY VALVE "VV(w)" TYPE
DN.50/100. MATERIALS DE TAIL

SIGEVAL,S.A





TECHNICAL DATA
 MAX. SERVICE PRESSURE: 16 Kg/cm²
 HYDROSTATIC AND RESISTANCE TEST
 OPEN VALVE: 24 Kg/cm²
 CLOSED VALVE: 17.6 Kg/cm²

| ITEM | DESIGNATION | MATERIAL | REMARKS | QUAN |
|------|----------------|----------------------|---------------|------|
| 12 | FEATURES TAG | POLYESTER | | 1 |
| 11 | BUSHING | STEEL-BZ-PTFE | DN.200 | 1 |
| 10 | LOWER PLUG | E.P.D.M. | | 1 |
| 9 | ZEGI RING BODY | ZINC PLATED STEEL | DIN 472 | 2 |
| 8 | RETAINING RING | ZINC PLATED STEEL | | 1 |
| 7 | LOWER SHAFT | ACC. TO SHEET E-0001 | | 1 |
| 6 | DISC | ACC. TO SHEET M-0001 | | 1 |
| 5 | SEAT | ACC. TO SHEET A-0001 | | 1 |
| 4 | UPPER SHAFT | ACC. TO SHEET E-0001 | | 1 |
| 3 | "O" RING | NITRILE | | 1 |
| 2 | BUSHING | ACETAL DELRIN | | 1 |
| 1 | VALVE BODY | ACC. TO SHEET C-0001 | COATING EPOXY | 1 |

| | | | |
|--|--------------------------------------|----------------|-------------------------|
| | BUTTERFLY VALVE "VV(w)" TYPE | | TECHNICAL SHEET: |
| | DN.125/200. MATERIALS DE TAIL | | |
| | | REVISION 01 | 11-10-25 |