

COIL CHARACTERISTICS

Coils in the catalogue pages are identified by their electrical characteristics such as ;

Continuous Duty : ED %100
 Coil insulation class : H (180°C)
 Coil Impregnation : Fiber Glass Reinforced or PP-V0 (Self-Extinguishing Polypropylene)
 Coil Encapsulation Material : Fiber Glass Reinforced or PP-V0 (Self-Extinguishing Polypropylene)
 Explosionproof operator, intended for use in potentially explosive atmospheres
 Easy electrical installation by means of the cable, standard length 1 meter
 Safety mode : EEx em II T4 (Max Surface Temperature : 135°C
 em: encapsulation safety , II : Equipment group)

Minimum and maximum ambient temperature : from -10°C ; +50°C
 Power : for DC 4.5 to 5 W, for AC 3.8 to 5.5 VA
 Protection degree : Generally IP 65 (EN 60529) with coil duty fitted with the plug connector
 Electric plug connection : DIN 46340 3-poles connectors (DIN 43650)
 Electrical safety : IEC 335

On request maximum surface temperature T5 = 100°C or T6 = 85°C
 Ambient Temperature : -20°C...+50°C
 Insulation class of insulating materials according to DIN VDE 0580
 Deg. of Protection with mounted plug-in connector according to IEC 529
 These coils are approved according to EN 50028
 DIN VDE 0170/0171, part 9 by the PTB and according to 94/9 EG (Atex 100a)

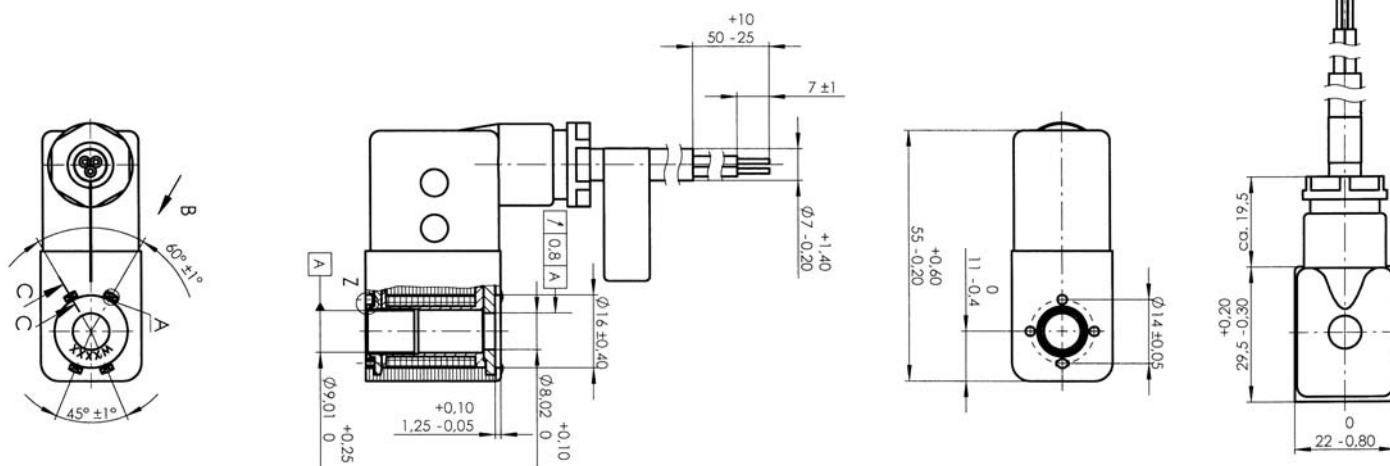
Atex Certificated



STANDARD VOLTAGES

The standard voltages indicated in the catalogue are as follows ;
 Standard Voltages : For AC 12V , 24V , 48V , 110V , 230V
 For DC 12V , 24V , 48V , 110 V

Other voltage on request
 Voltages Tolerance : For AC %-15 ; %+10 , For DC %-5 ; %+10
 Frequency : 50 Hz, other frequencies on request (60 Hz)
 On request connector with LED



Coil Type / Order no	Voltage	Power Ratings	Alternating Current (AC)			Direct Current (DC)		
			Valve Type / Order no	Voltage	Power Ratings	Valve Type / Order no	Voltage	Power Ratings
C21	Volt							
C 21 . 01	230 V AC	EEx em II T4	C 21 . 22	240 V	5.5 VA	C 21 . 26	125 V	5 W
C 21 . 02	110 V AC	EEx em II T4	C 21 . 01	230 V	4.8 VA	C 21 . 05	110 V	5 W
C 21 . 03	24 V AC	EEx em II T4	C 21 . 24	120 V	4.5 VA	C 21 . 18	48 V	4.7 W
C 21 . 04	12 V AC	EEx em II T4	C 21 . 02	110 V	3.8 VA	C 21 . 06	24 V	5 W
C 21 . 06	24 V DC	EEx em II T4	C 21 . 23	200 V	5.2 VA	C 21 . 07	12 V	4.5 W
C 21 . 07	12 V DC	EEx em II T4	C 21 . 25	36 V	5.2 VA	-	-	-
-	-	-	C 21 . 03	24 V	4.6 VA	-	-	-

Useful Informations

1 bar:14,5 PSI:10 mH₂O:10 N/cm²:1 kg/cm²:100000 Pa, 1 PSI:69 mbar,1 m³/h:4,405 GPM:16,7 L/d 1 Gallon / minute:0,227 m³/h, 0°C:89,6 F
 Sealings:NBR:Nitrile-Butylene Elastomer, FPM (VITON):Fluoro-Carbon Elastomer, EPDM:Ethylene-Propylene Elastomer