

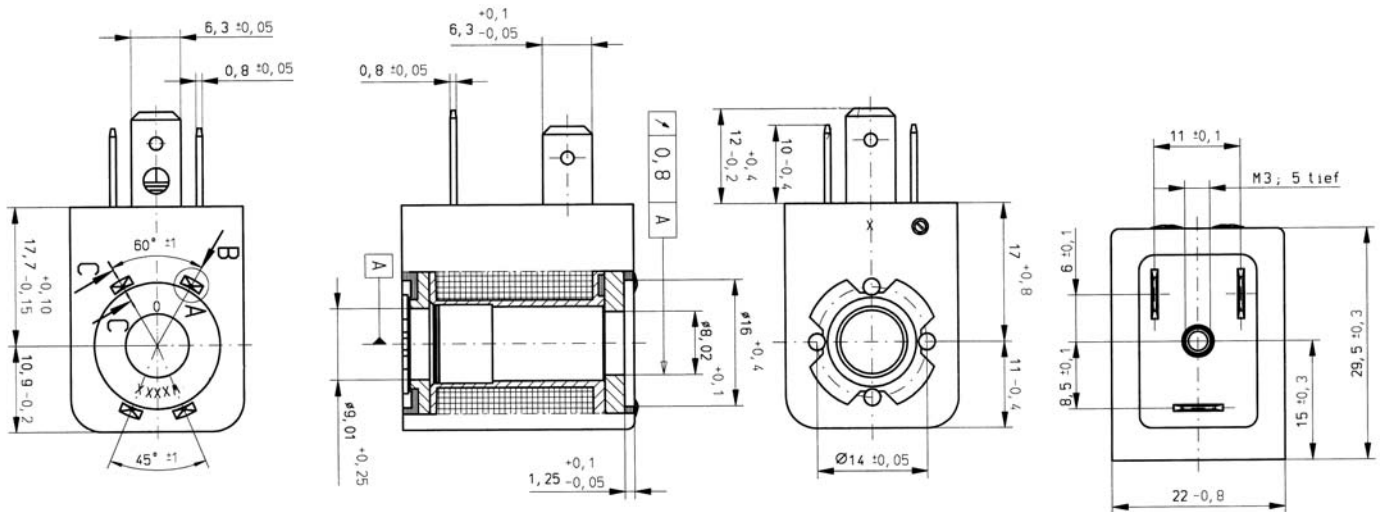
**COIL CHARACTERISTICS**

Coils in the catalogue pages are identified by their electrical characteristics such as ;  
 Continuous Duty : ED %100  
 Coil insulation class : H (180°C)  
 Coil impregnation : Polyester Fiber Glass  
 Coil Encapsulation Material : Fiber Glass Reinforced  
 Minimum and maximum ambient temperature : from -10°C ; +60°C  
 Protection degree : Generally IP 65 (EN 60529) with coil duty fitted with the plug connector  
 Power : for DC 5.5 W, for AC 6 VA .... 8.5 VA  
 Electric plug connection : DIN 46340 3-poles connectors (DIN 43650)  
 Electrical safety : IEC 335  
 Insulation class of insulating materials according to DIN VDE 0580  
 Deg. of protection with mounted plug-in connector according to IEC 529



**STANDARD VOLTAGES**

The standard voltages indicated in the catalogue are as follows ;  
 Standard Voltages : For AC 12V , 24V , 48V , 110V , 230V  
 For DC 12V , 24V , 48V , 110 V  
 Other voltage on request  
 Voltages Tolerance : For AC %-15 ; %+10 , For DC %-5 ; %+10  
 Frequency : 50 Hz, other frequencies on request ( 60 Hz)  
 On request connector with LED



Coil Type / Order no	Coil Voltage
<b>C20</b>	<b>Volt</b>
C20.01	230 V AC
C20.02	110 V AC
C20.03	24 V AC
C20.04	12 V AC
C20.06	24 V DC
C20.07	12 V DC

**Useful Informations**

1 bar:14,5 PSI:10 mH<sub>2</sub>O:10 N/cm<sup>2</sup>:1 kg/cm<sup>2</sup>:100000 Pa, 1 PSI:69 mbar,1 m<sup>3</sup>/h:4,405 GPM:16,7 L/d 1 Gallon / minute:0,227 m<sup>3</sup>/h, 0°C:89,6 F  
 Sealings:NBR:Nitrile-Butylene Elastomer, FPM (VITON):Fluoro-Carbon Elastomer, EPDM:Ethylene-Propylene Elastomer