

GENERAL FEATURES

- TORK series PL1050 remote control compression fittings pulse valves are 2/2 way normally closed.
- Suitable for air
- G 3/4", G 1", G 1 1/2" connection
- The pulse valves are especially designed for dust collector service application or similar systems
- Without coil compact design, high reliability, flow rate, quality and performance; long life.
- Extremely fast opening and closing
- Working Temperature: -20°C... 80°C
- Minimum operating differential pressure 0,5 bar
- On request; with electronic timer
- Ambient Temperature: from -20°C... 80°C
- Some application; dust filters, bunkers, dust extractors, electrostatic painting cabinets
- Coils interchangeable
- Flow factor Kv of each valve is indicated, so that the flow Q can be calculated as a function of pressure
- Pulse valves must be used with filtered fluids.
- Pulse valve can be mounted in any position without affecting operation; vertical with coil upwards preferred.

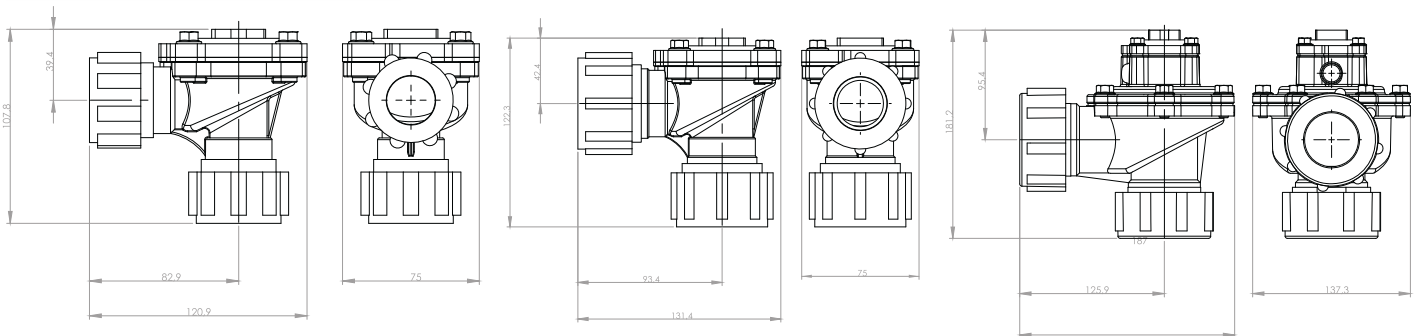
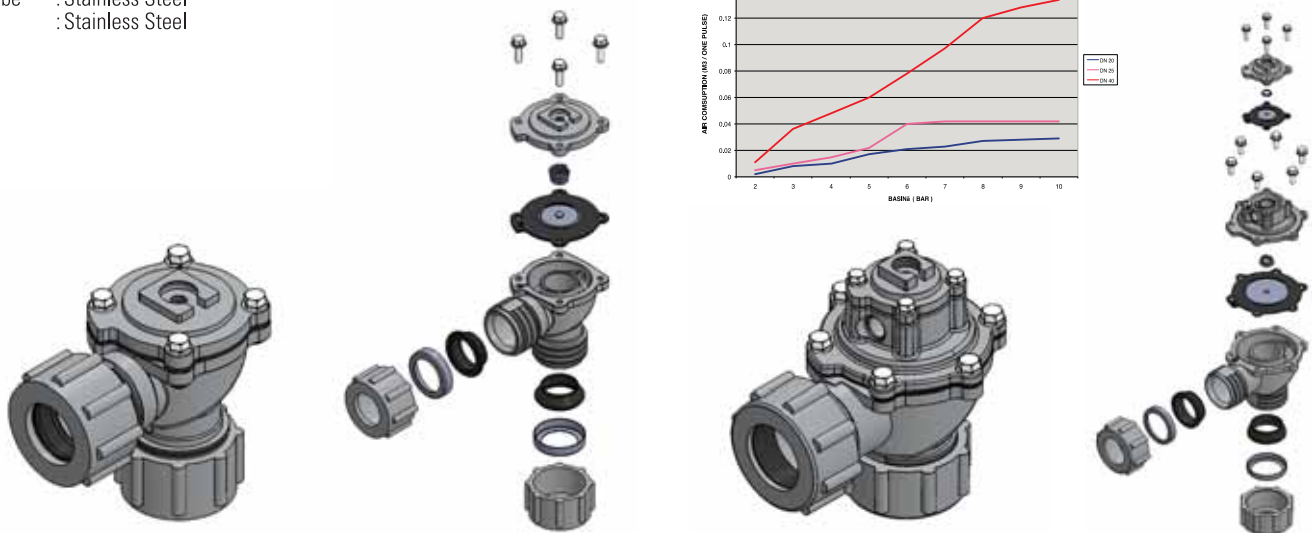
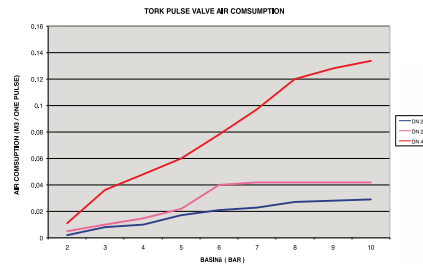
Normally Closed



ROHS

MATERIALS IN CONTACT WITH FLUIDS

- Body : Die Cast Aluminium
- Internal Parts : Stainless Steel and brass
- Sealing : NBR
- Shading Ring : Copper
- Seats : Aluminium
- Core Tube : Stainless Steel
- Springs : Stainless Steel



Valve Type / Order no	Connection Size	Orifice size	Pressure		KV	Fluid Temperature		Seal	Weight
			min	max		min	max		
PL1050	G	mm	bar	bar	lt/min	°C			(kg)
PL1050.04	3/4" - 3/4"	20	0.5	7.5	150	-20	80	NBR	0.55
PL1050.05	1" - 1"	25	0.5	7.5	270	-20	80	NBR	0.86
PL1050.07	1 1/2" - 1 1/2"	40	0.5	7.5	774	-20	80	NBR	1.67