

GENERAL FEATURES

- **TORK series PL1040** compression fittings pulse valves are 2/2 way normally closed.
- **Suitable for air**
- **G 11/2" connection**
- **The pulse valves are especially designed for dust collector service application or similar systems**
- **High operating pressure more than PL1030.07 types, double sealings, compact design, high reliability, flow rate, quality and performance; long life.**
- Extremely fast opening and closing
- Working Temperature: -20°C...80°C
- **Minimum operating differential pressure 0,5 bar**
- **On request; with electronic timer**
- Some application; dust filters, bunkers, dust extractors, electrostatic painting cabinets
- Coils interchangeable
- Flow factor Kv of each valve is indicated, so that the flow Q can be calculated as a function of pressure
- Pulse valves must be used with filtered fluids.
- Pulse valve can be mounted in any position without affecting operation; vertical with coil upwards preferred

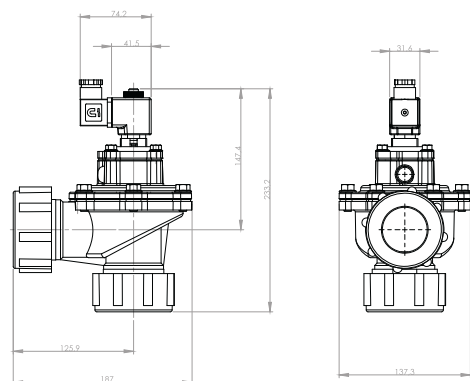
ELECTRICAL CHARACTERISTICS

Continuous Duty : ED %100
 Coil Insulation Class : H (180°C)
 Coil Impregnation : Polyester Fiber Glass
 Coil Encapsulation Material : Fiber Glass Reinforced
 Ambient Temperature : from -20°C...80°C
 Protection Degree : IP 65 (EN 60529) with coil duly fitted with the plug connector
 Electric Plug Connection : DIN 46340 3-poles connectors (DIN 43650)
 Connector Specification : ISO 4400 / EN 175301-803, Form A, Spade plug (Cable Ø 6-8 mm)
 Electrical Safety : IEC 335
 Standard Voltages : For AC 12V, 24V, 48V, 110V, 230V
 For DC 12V, 24V, 48V, 110 V

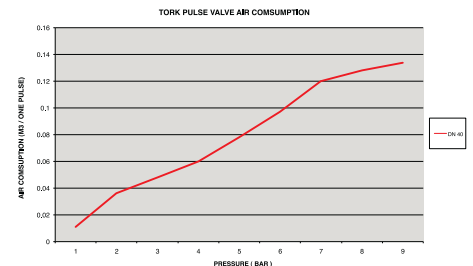
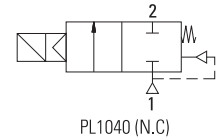
Other voltages on request;
 Voltage Tolerances : ±10%
 Frequency : 50 / 60 Hz
 On request; connector with LED
 Specify coil voltage with order

MATERIALS IN CONTACT WITH FLUIDS

Body : Die Cast Aluminium
 Internal Parts : Stainless Steel and brass
 Sealing : NBR
 Shading Ring : Copper
 Seats : Aluminium
 Core Tube : Stainless Steel
 Springs : Stainless Steel



Normally Closed



| Valve Type / Order no | Connection Size | Orifice size | Pressure | | KV | Fluid Temperature | | Seal | Weight |
|-----------------------|-----------------|--------------|------------|------------|---------------|-------------------|-----|------|-------------|
| | | | min | max | | min | max | | |
| PL1040 | G | mm | bar | bar | lt/min | °C | | | (kg) |
| PL1040.07 | 11/2" - 11/2" | 40 | 0.5 | 9.8 | 774 | -20 80 | NBR | 2.11 | |