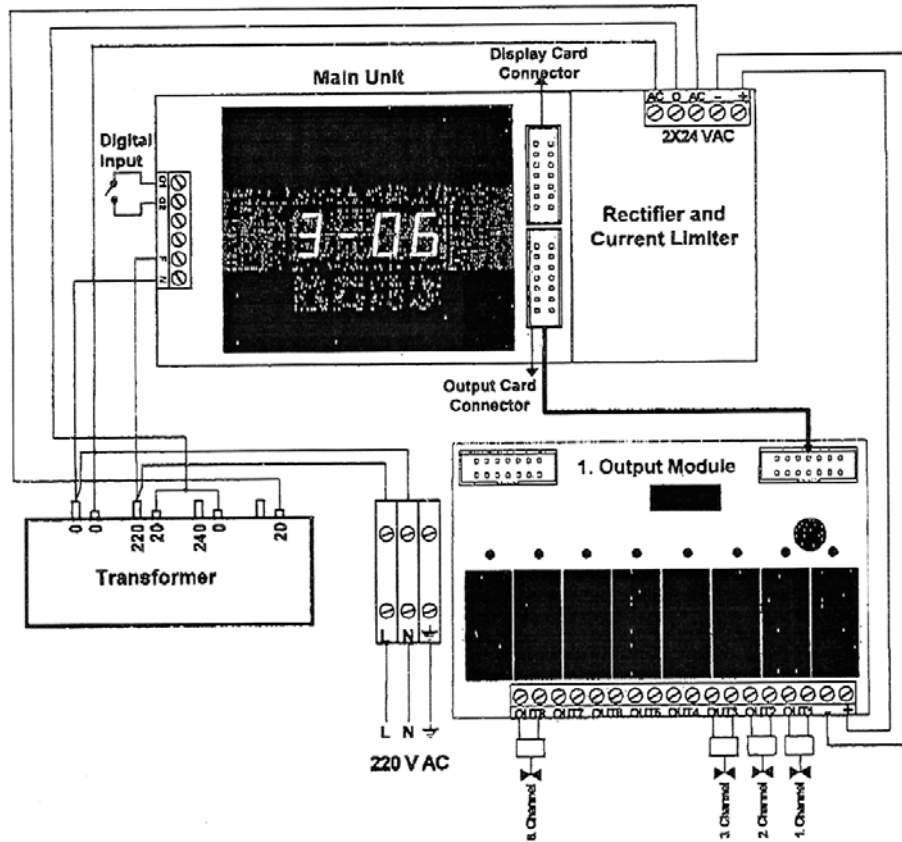


GENERAL FEATURES

- Filter cleaning Timers are micro-processor based control instruments used in jet pulse filters.
- The filters are used commonly in the industries such as glass, cement, painting, fertilizers and fodder industries
- Ambient dust from spreading.
- Used for cleaning the bag chambers of filters

DESCRIPTION

- C95 Filter Timer is placed into a polyester case. The dimensions of the case are 250 x 300 x 170 mm. The layout of the timer and the connection diagram is given in Figure 1 The devices having 1 to 8 outputs has only one output module.
- The timer unit can be mounted on a wall or in a panel. The mounting pieces must be fixed to the corners of the case before installation. The connection cables passing inside the unit through the cable sheaths on the bottom of the unit are screwed on the terminals.



Valve Type / Order no	Output
C95	
C95.08	8 relay
C95.16	16 relay
C95.24	24 relay
C95.32	32 relay